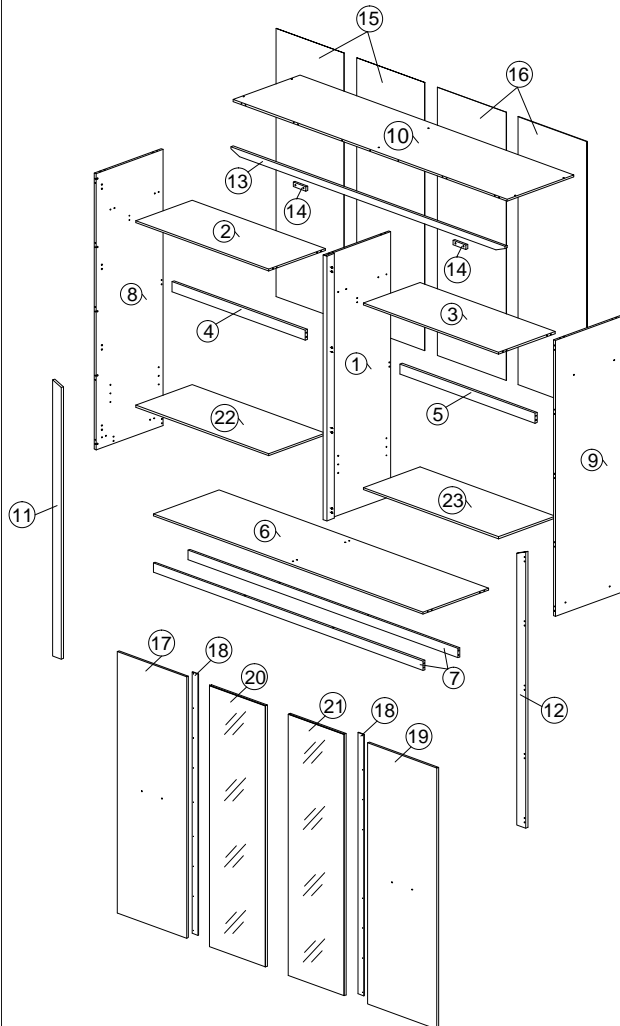


# ASSEMBLY INSTRUCTION

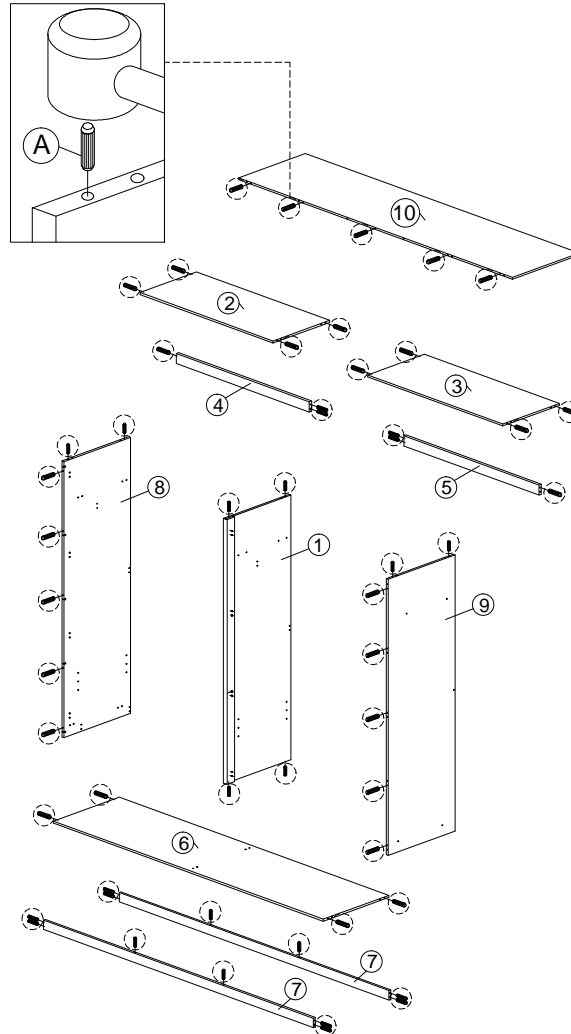
MODEL : WR 80088-2M-S5 - EVOQUE KLEERKAST / ARMOIRE 4 D/P

HARDWARE	A	B	C	D	E	F	G	H	I	J	K	L	M	N	O	P	Q	R	S	T	U	V	
	PLASTIC DOWEL M8X25 1X53	CB SCREW M3.5X16 1X100	CB SCREW M4X20 1X32	CB SCREW M4X30 1X4	CSK CAP M6X40 1X20	V-BRACKET 1X4	2 PIN STOPPER 1X2	HANDLE VSC 12 1X2	P/H SCREW M4X24 1X4	POWER NAIL 6/8 1X144	METAL SHELF SUPPORT 1X8	ABS DRAWER PIN (56MM) 1X8	HINGES (OUTSIDE) 1X8	HINGES (INSIDE) 1X8	PLASTIC PIN 1X6	METAL BRACKET 1X2	L-BRACKET 1X4	MINIFIX 5654 18 SETS	CAP 1X29	ALLEN KEY 1X1	CHROME PIPE (1051MM) 1X1	CHROME PIPE (1066MM) 1X1	H-PROFILE (1980MM) 1X2

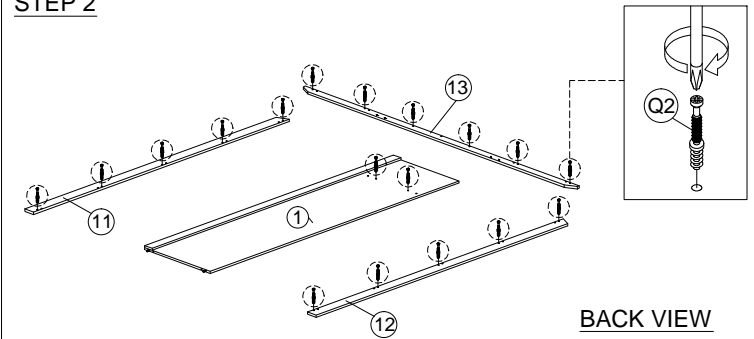
## PARTS LIST



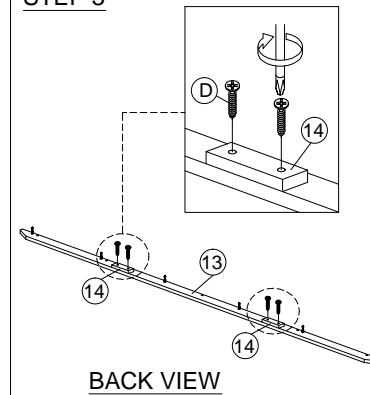
## STEP 1



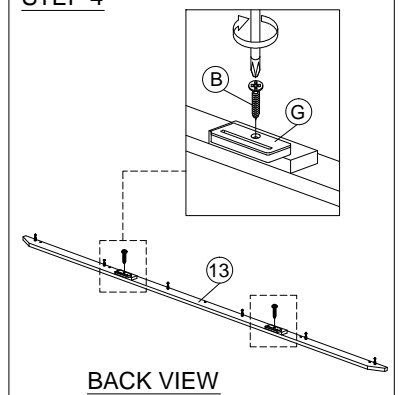
## STEP 2



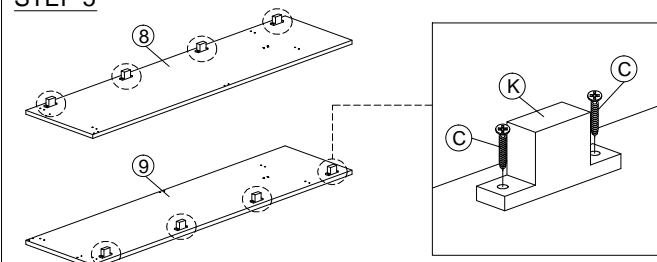
## STEP 3



## STEP 4



## STEP 5

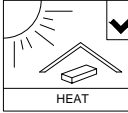




SOFT, DRY CLOTH



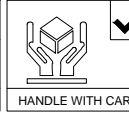
CHEMICAL



HEAT



KEEP DRY



HANDLE WITH CARE

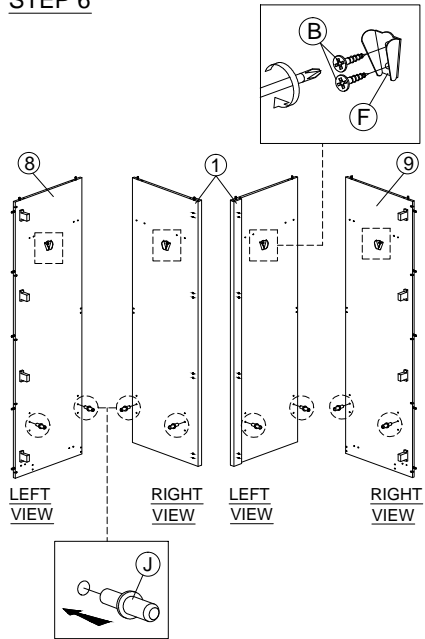


DO NOT USE KNIFE

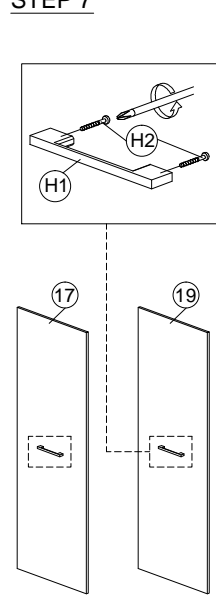
# ASSEMBLY INSTRUCTION

MODEL : WR 80088-2M-S5 - EVOQUE KLEERKAST / ARMOIRE 4 D/P

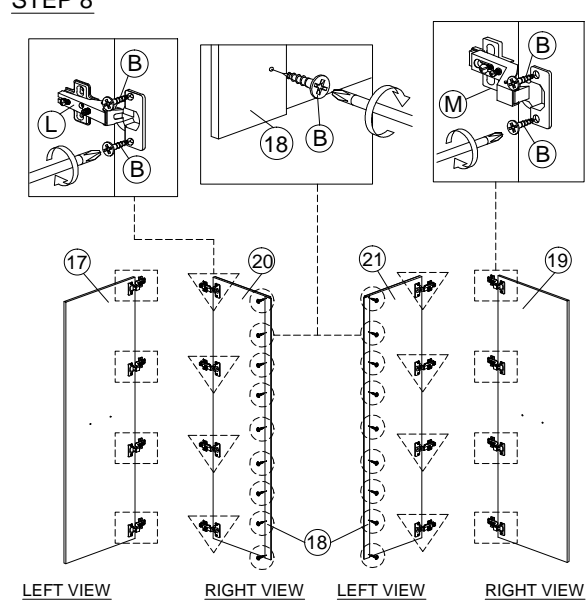
## STEP 6



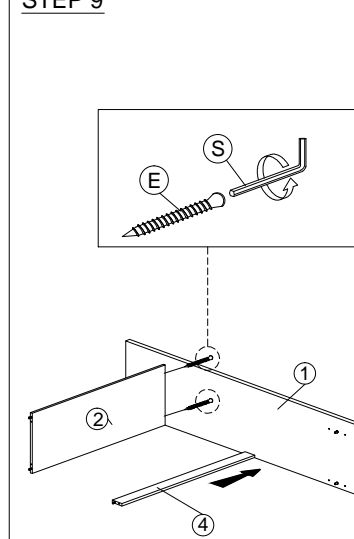
## STEP 7



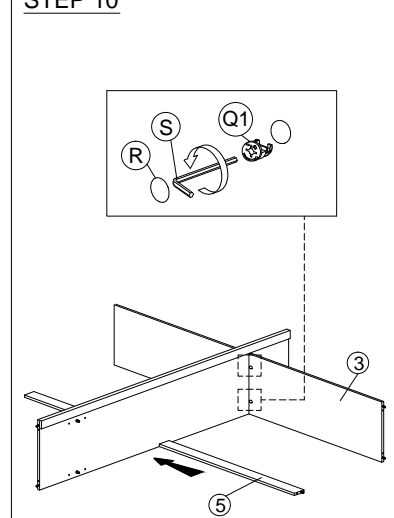
## STEP 8



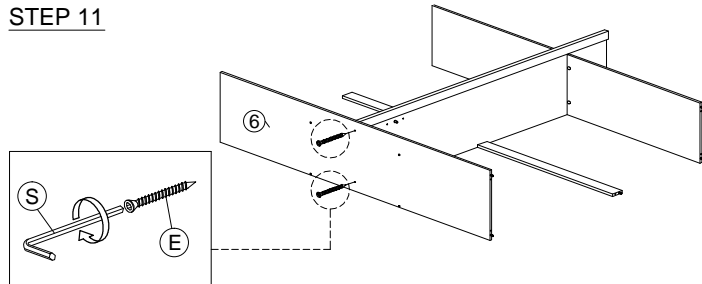
## STEP 9



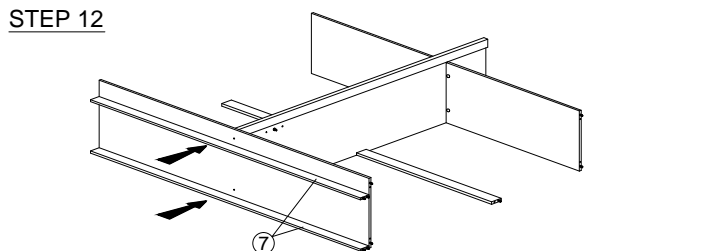
## STEP 10



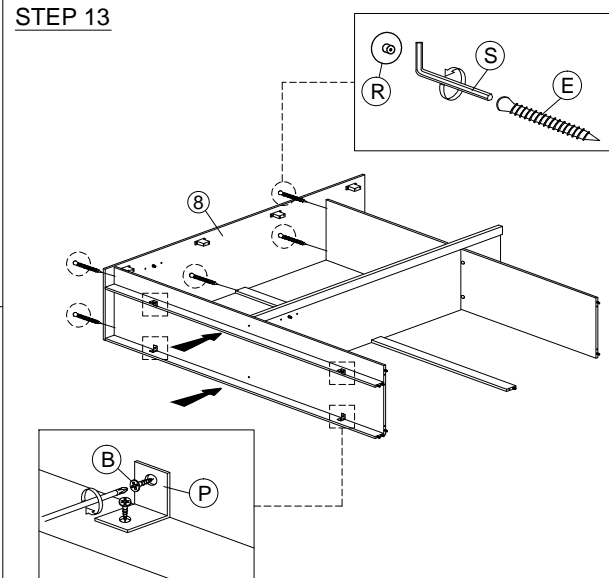
## STEP 11



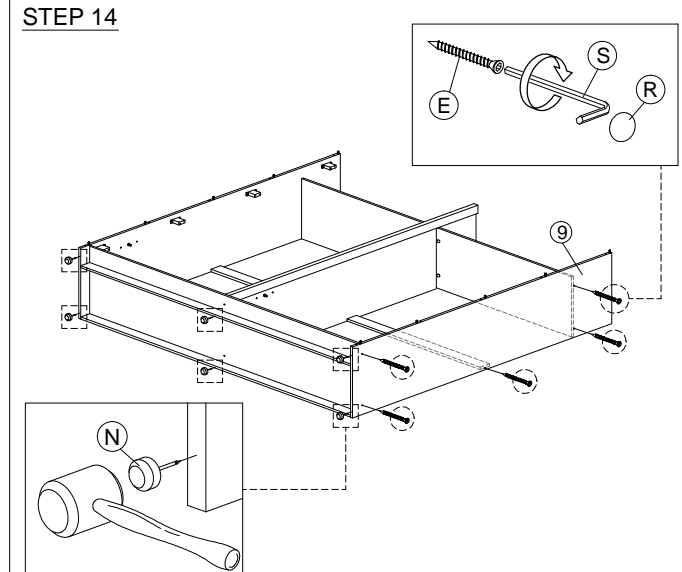
## STEP 12



## STEP 13



## STEP 14

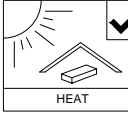




SOFT, DRY CLOTH



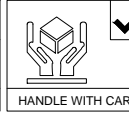
CHEMICAL



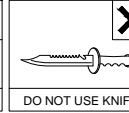
HEAT



KEEP DRY



HANDLE WITH CARE

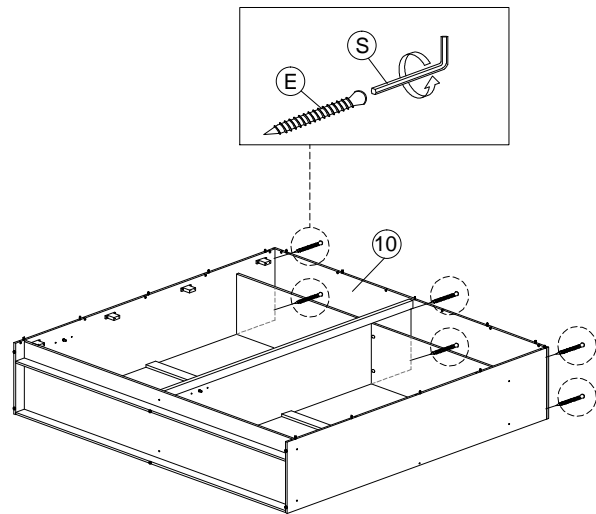


DO NOT USE KNIFE

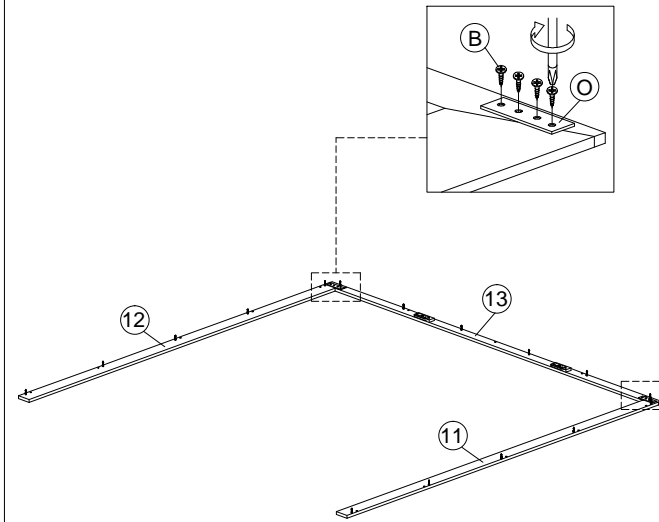
# ASSEMBLY INSTRUCTION

MODEL : WR 80088-2M-S5 - EVOQUE KLEERKAST / ARMOIRE 4 D/P

## STEP 15

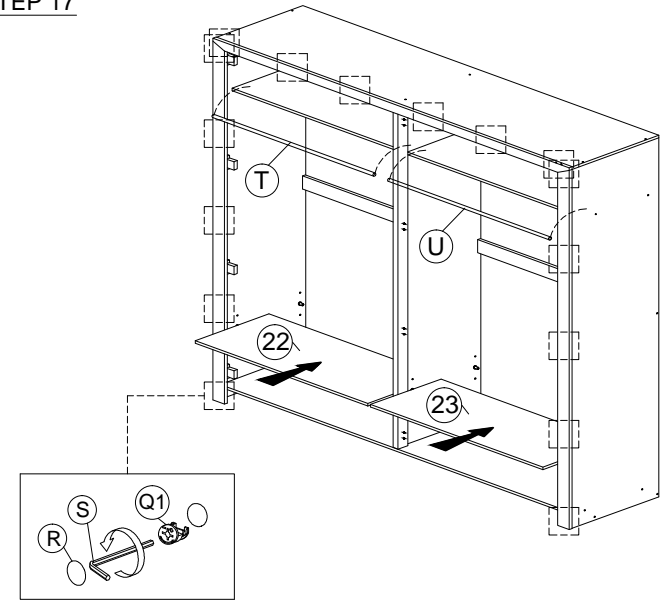


## STEP 16

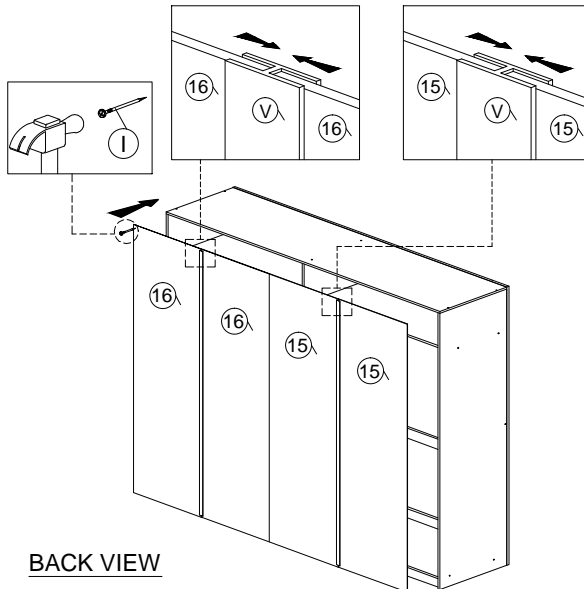


BACK VIEW

## STEP 17

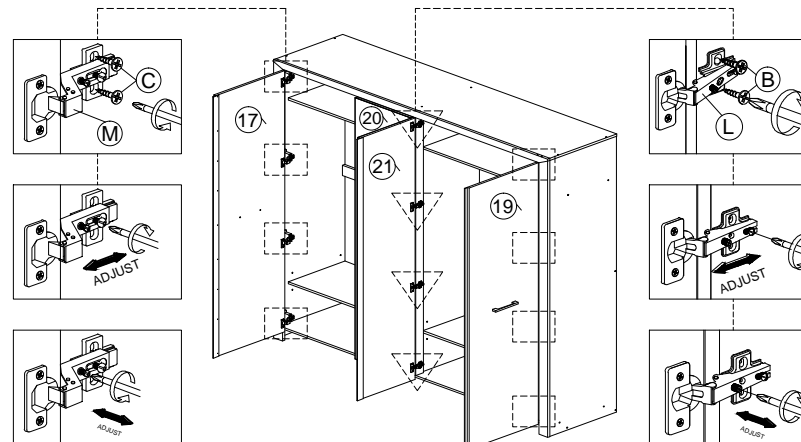


## STEP 18



BACK VIEW

## STEP 19



## COMPLETED

