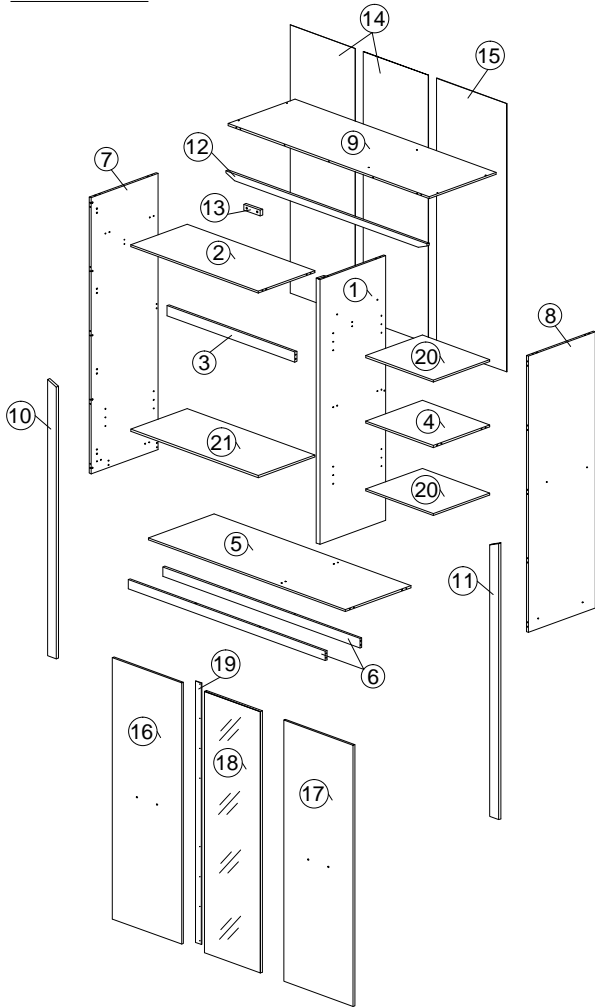


# ASSEMBLY INSTRUCTION

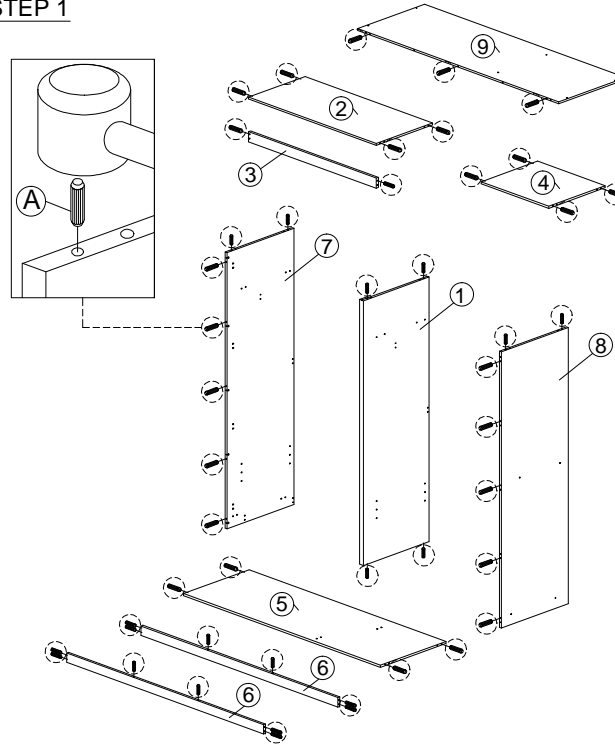
MODEL : WR 80087-1M-S5 - EVOQUE KLEERKAST / ARMOIRE 3 D/P

HARDWARE	A	B	C	D	E	F	G	H	I	J	K	L	M	N	O	P	Q	R	S	T	
	PLASTIC DOWEL M8X25 1X47	CB SCREW M3.5X16 1X54	CB SCREW M4X20 1X32	CB SCREW M4X30 1X2	CSK CAP M6X40 1X22	V-BRACKET 1X2	CABINET STOPPER 1X1	HANDLE VSC 12 1X2	P/H SCREW M4X24 1X4	POWER NAIL 6/8 1X101	METAL SHELF SUPPORT 1X12	ABS DRAWER PIN (56MM) 1X8	HINGES 3/4 (OUTSIDE) 1X4	HINGES (INSIDE) 1X8	PLASTIC PIN 1X6	METAL BRACKET 1X2	MINIFIX 5654 14 SETS	CAP 1X23	ALLEN KEY 1X1	CHROME PIPE (1008MM) 1X1	H-PROFILE (1980MM) 1X1

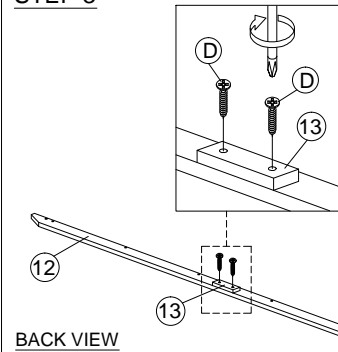
## PARTS LIST



## STEP 1

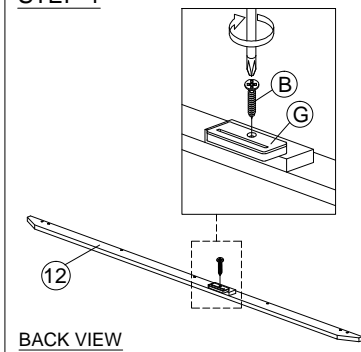


## STEP 3



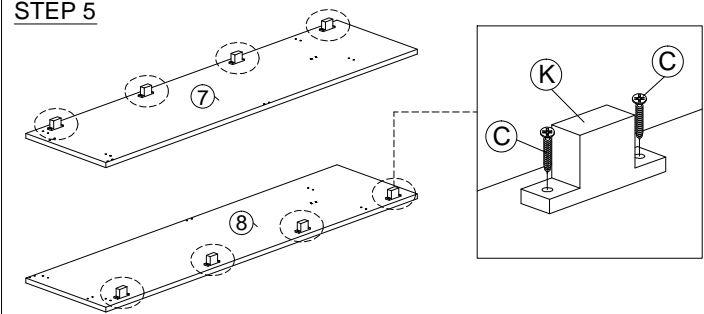
BACK VIEW

## STEP 4

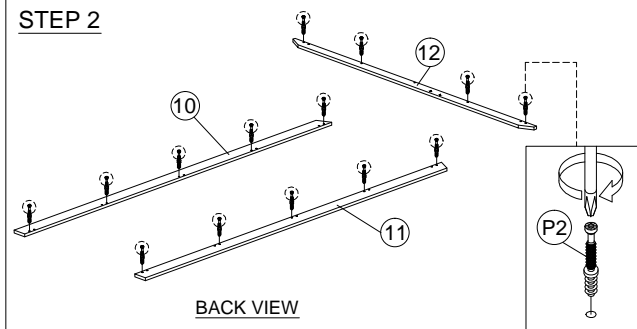


BACK VIEW

## STEP 5

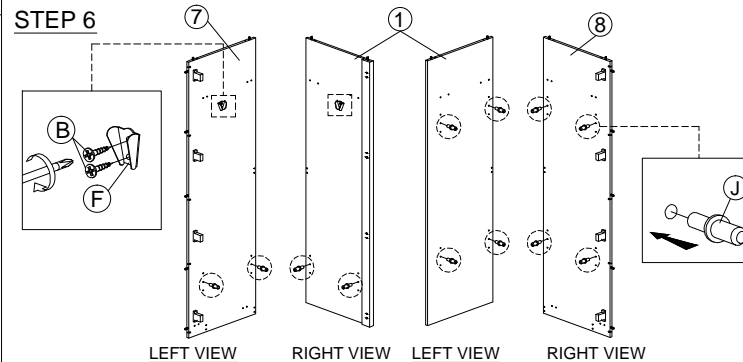


## STEP 2



BACK VIEW

## STEP 6

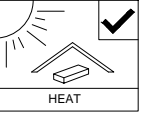
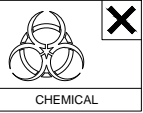


LEFT VIEW

RIGHT VIEW

LEFT VIEW

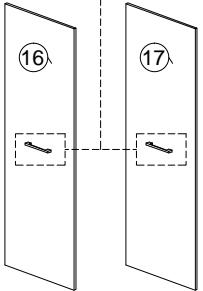
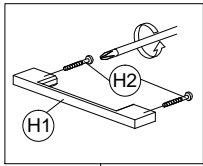
RIGHT VIEW



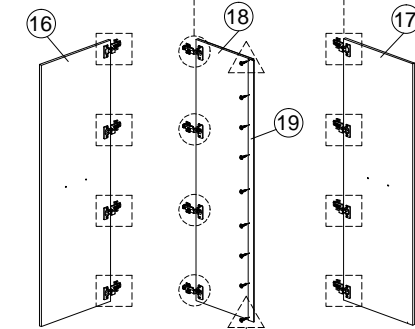
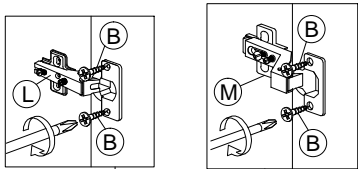
# ASSEMBLY INSTRUCTION

MODEL : WR 80087-1M-S5 - EVOQUE KLEERKAST / ARMOIRE 3 D/P

STEP 7

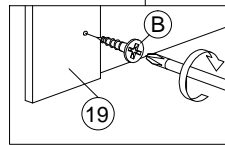


STEP 8

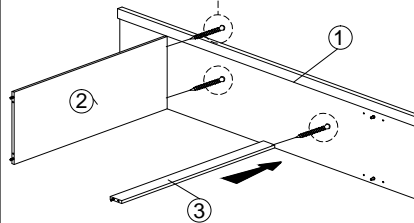
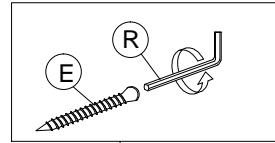


LEFT VIEW

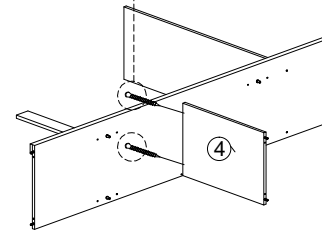
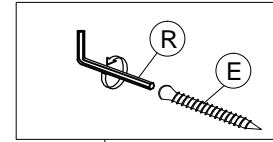
RIGHT VIEW



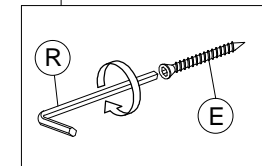
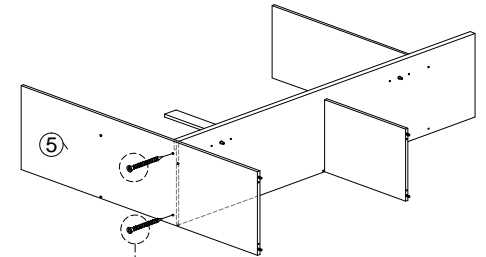
STEP 9



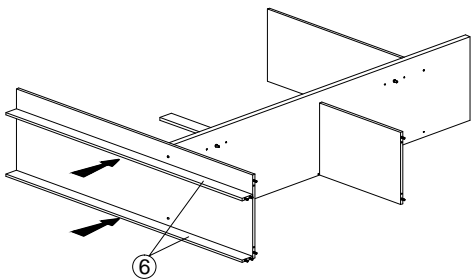
STEP 10



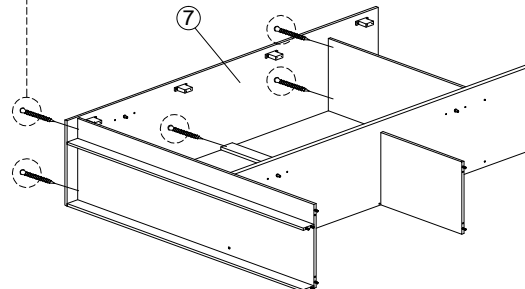
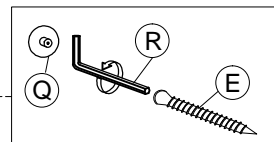
STEP 11



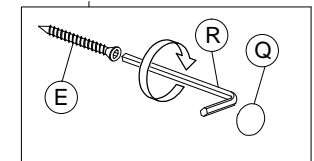
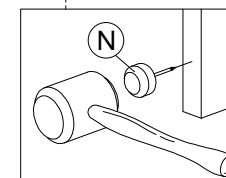
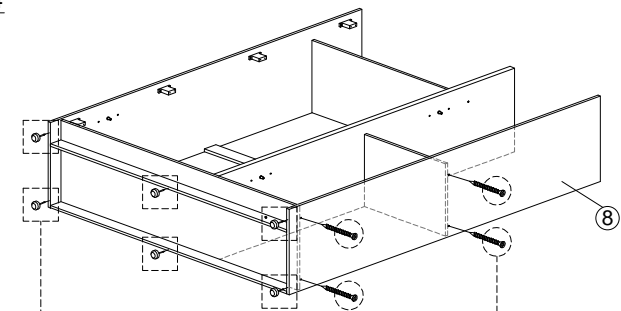
STEP 12



STEP 13



STEP 14

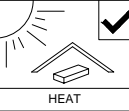




SOFT, DRY CLOTH



CHEMICAL



HEAT



KEEP DRY



HANDLE WITH CARE

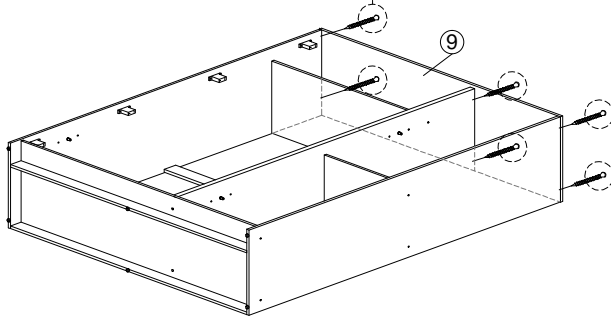
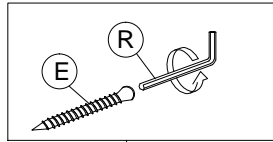


DO NOT USE KNIFE

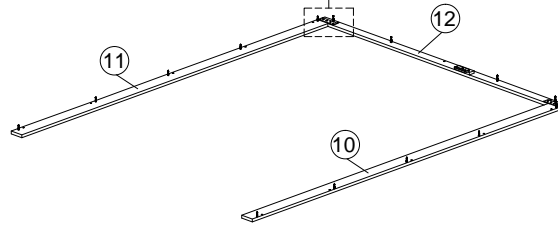
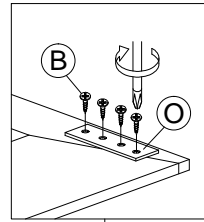
# ASSEMBLY INSTRUCTION

MODEL : WR 80087-1M-S5 - EVOQUE KLEERKAST / ARMOIRE 3 D/P

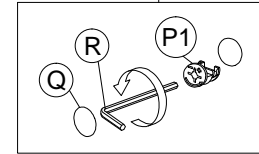
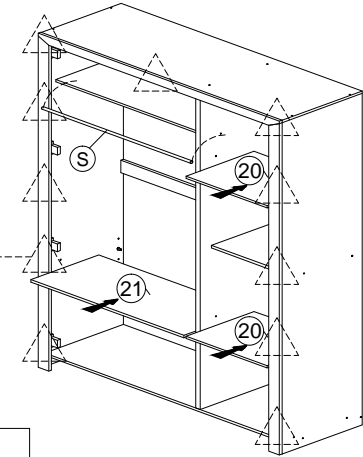
## STEP 15



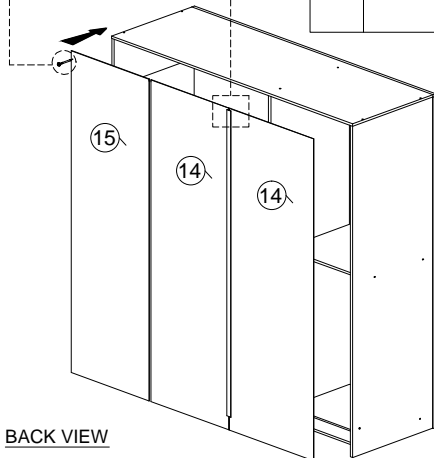
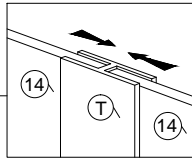
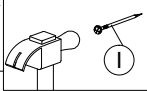
## STEP 16



## STEP 17

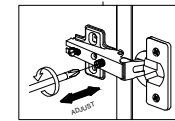
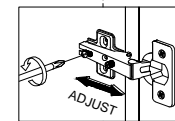
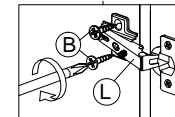
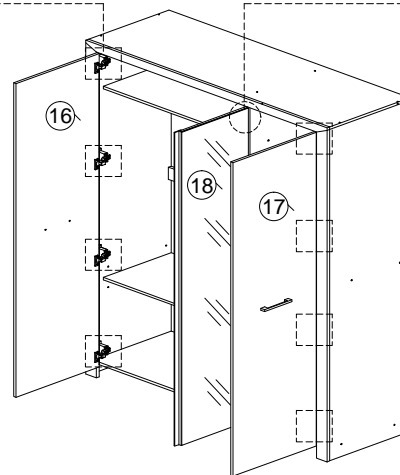
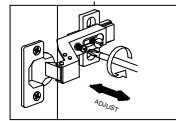
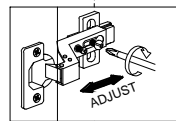
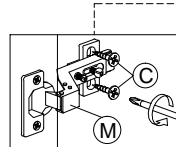


## STEP 18



BACK VIEW

## STEP 19



## COMPLETED

