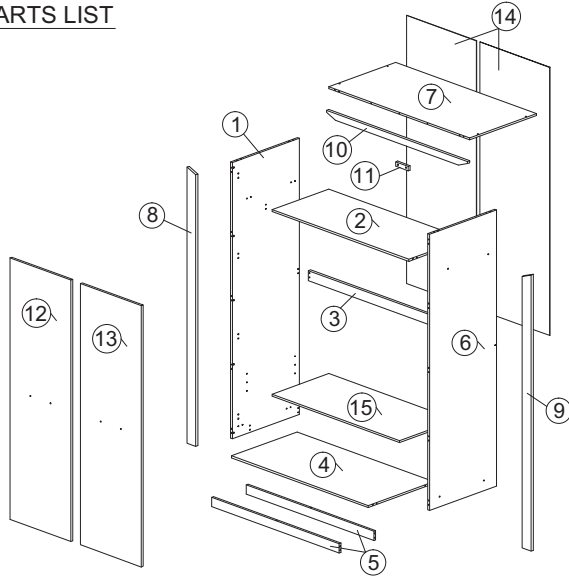


# ASSEMBLY INSTRUCTION

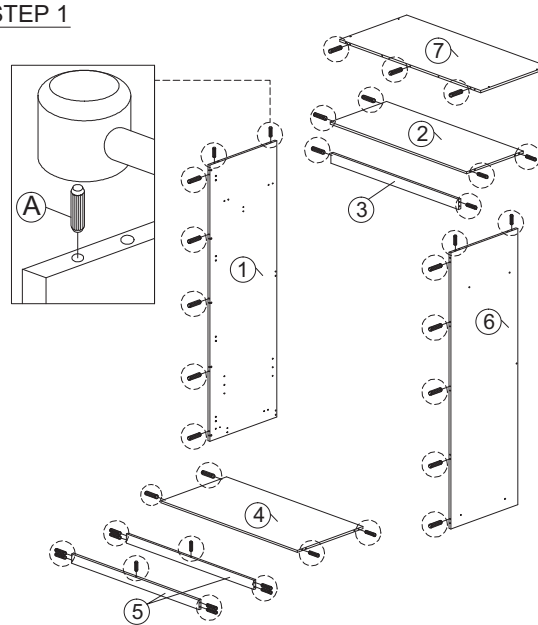
MODEL : WR 80086-S5 - EVOQUE KLEERKAST / ARMOIRE 2 D/P

HARDWARE	A	B	C	D	E	F	G	H	I	J	K	L	M	N	O	P	Q	R	S	
	PLASTIC DOWEL M8X25 1X37	CB SCREW M3.5X16 1X28	CB SCREW M4X20 1X32	CB SCREW M4X38 1X2	CSK CAP M6X40 1X14	V-BRACKET 1X2	2 PIN STOPPER 1X1	HANDLE VSC 12 1X2	P/H SCREW M4X24 1X4	POWER NAIL 6/8 1X66	METAL SHELF SUPPORT 1X4	ABS DRAWER PIN (56MM) 1X8	HINGES (INSIDE) 1X8	PLASTIC PIN 1X6	METAL BRACKET 1X2	MINIFIX 5654 14 SETS	CAP 1X28	ALLEN KEY 1X1	CHROME PIPE (1080MM) 1X1	H-PROFILE (1980MM) 1X1

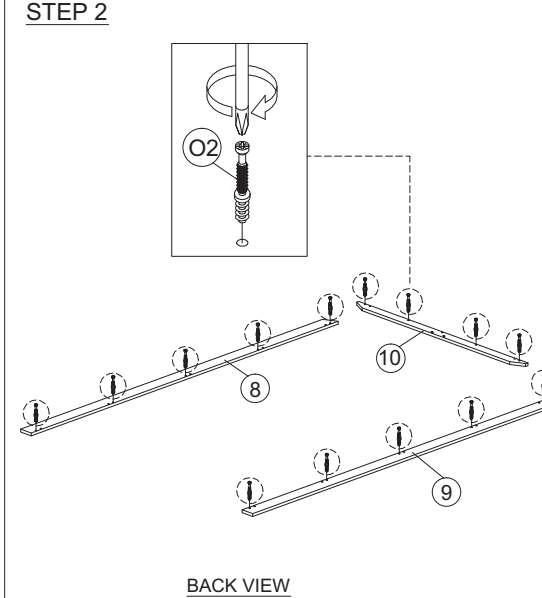
## PARTS LIST



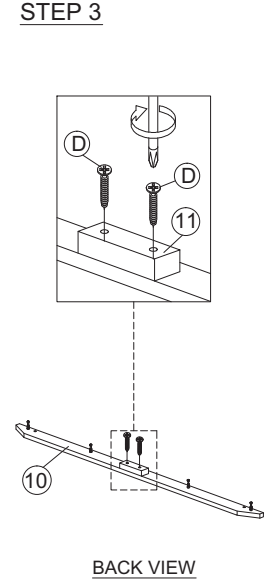
## STEP 1



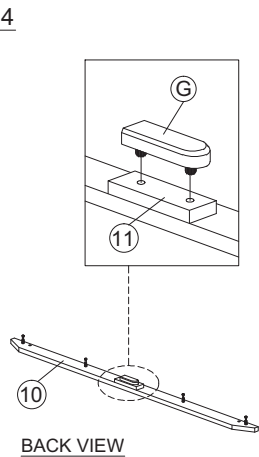
## STEP 2



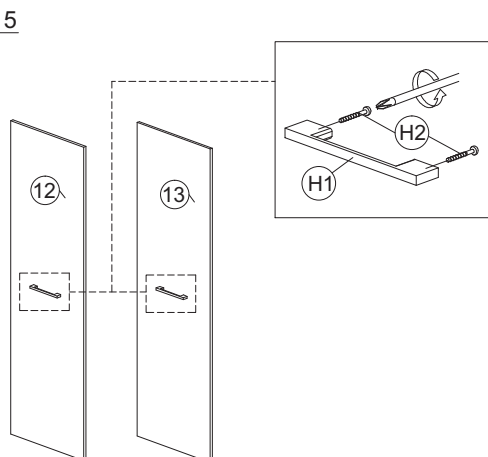
## STEP 3



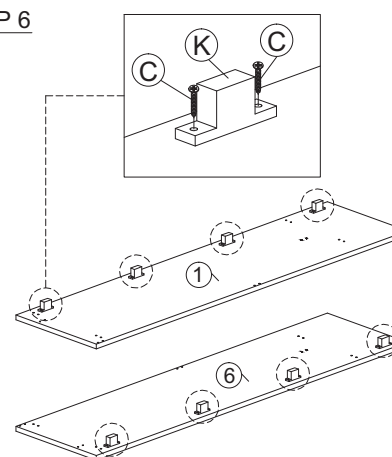
## STEP 4



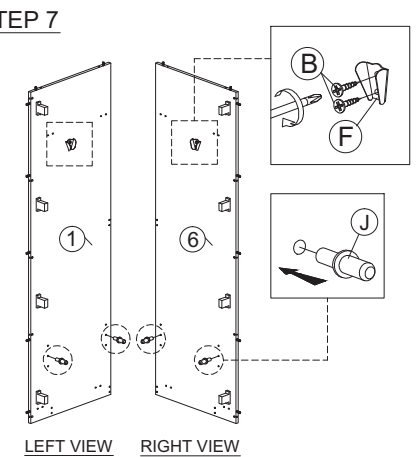
## STEP 5



## STEP 6



## STEP 7

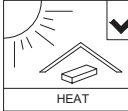




SOFT, DRY CLOTH



CHEMICAL



HEAT



KEEP DRY



HANDLE WITH CARE

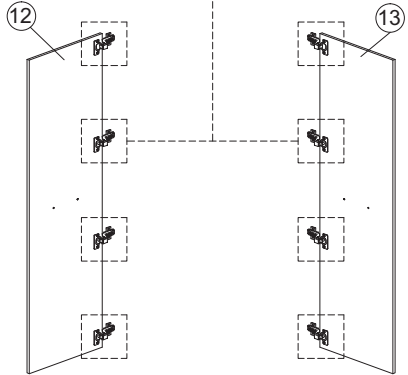
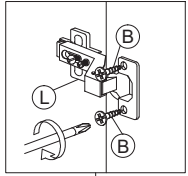


DO NOT USE KNIFE

# ASSEMBLY INSTRUCTION

MODEL : WR 80086-S5 - EVOQUE KLEERKAST / ARMOIRE 2 D/P

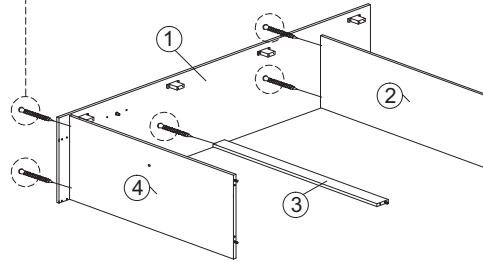
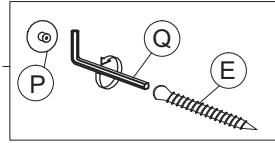
## STEP 8



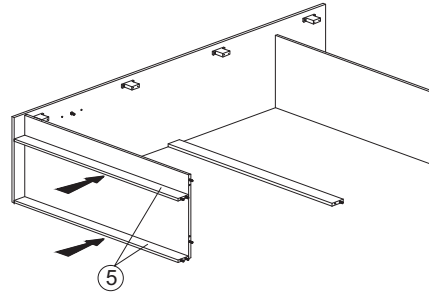
LEFT VIEW

RIGHT VIEW

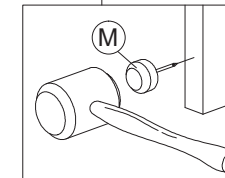
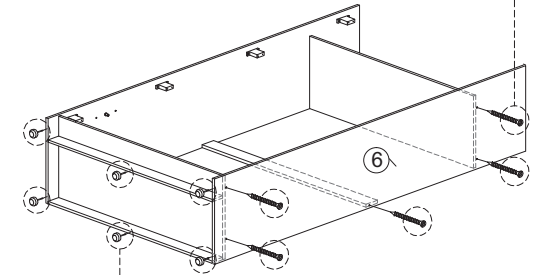
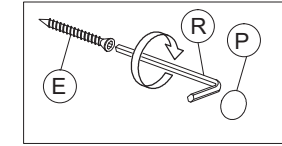
## STEP 9



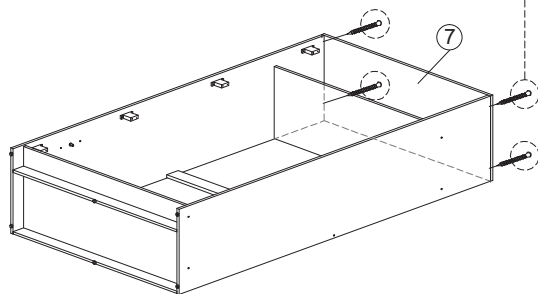
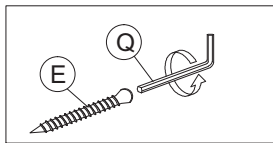
## STEP 10



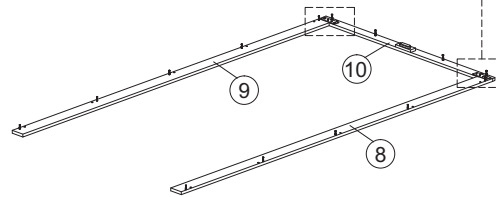
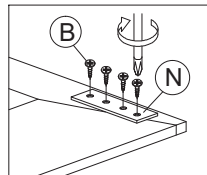
## STEP 11



## STEP 12

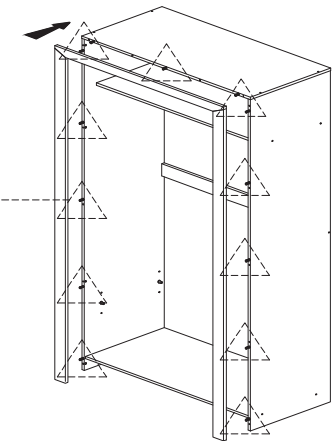
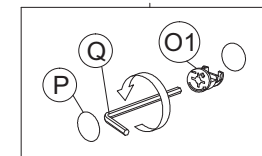


## STEP 13



BACK VIEW

## STEP 14

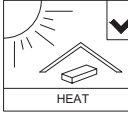




SOFT, DRY CLOTH



CHEMICAL



HEAT



KEEP DRY



HANDLE WITH CARE

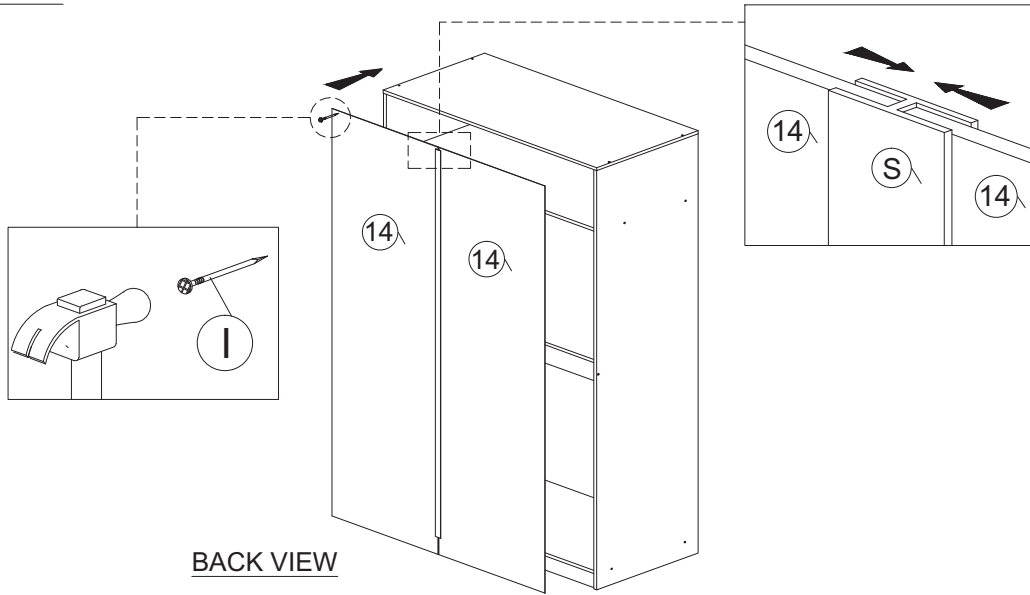


DO NOT USE KNIFE

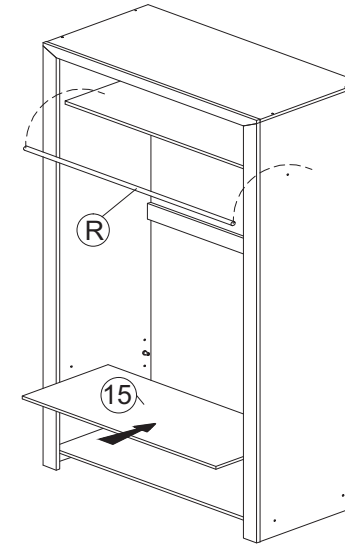
# ASSEMBLY INSTRUCTION

MODEL : WR 80086-S5 - EVOQUE KLEERKAST / ARMOIRE 2 D/P

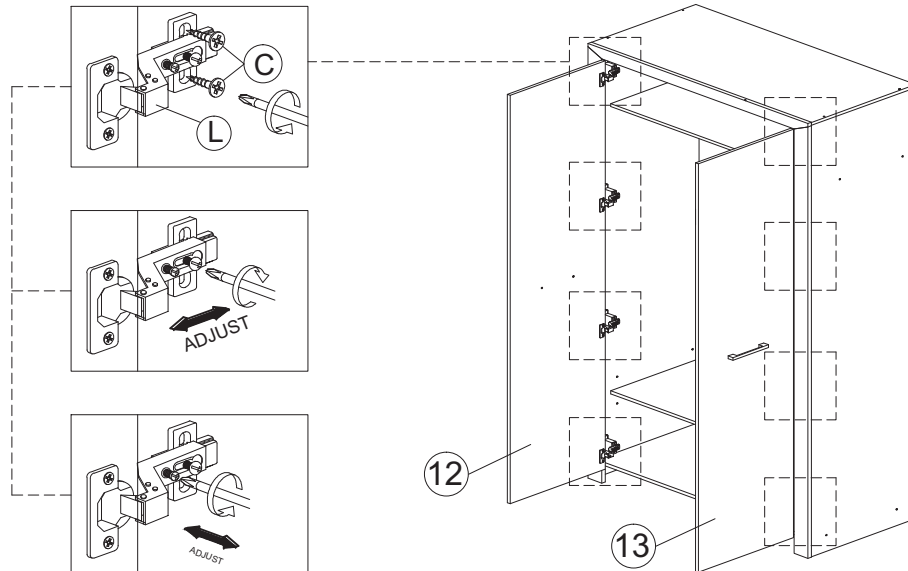
## STEP 15



## STEP 16



## STEP 17



## COMPLETED

