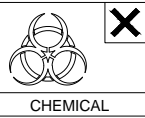
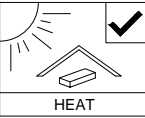




SOFT, DRY CLOTH



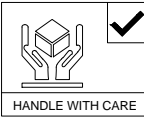
CHEMICAL



HEAT



KEEP DRY



HANDLE WITH CARE



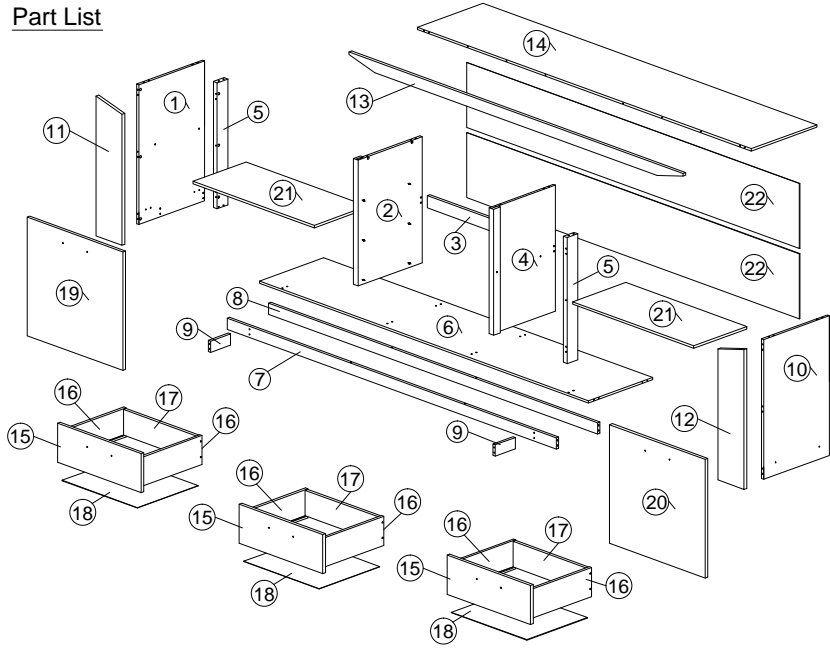
DO NOT USE KNIFE

# ASSEMBLY INSTRUCTION

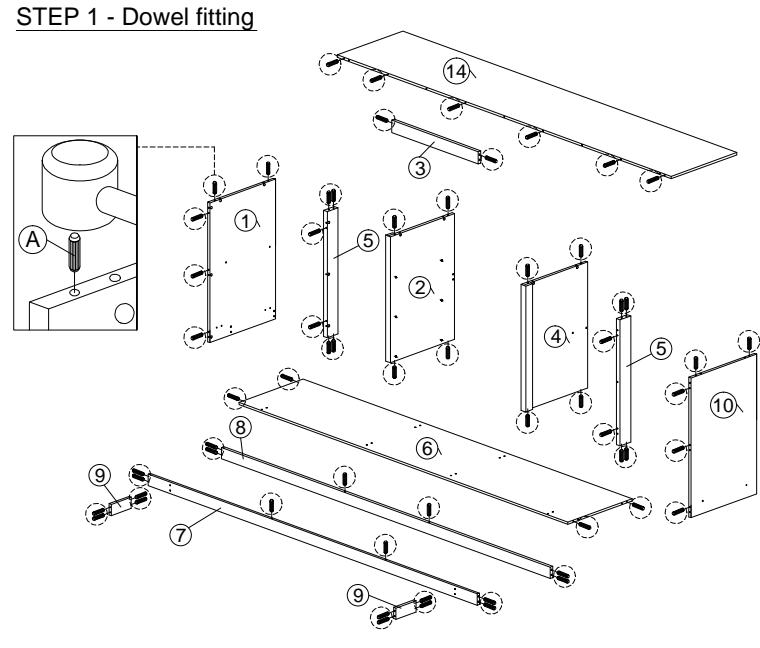
MODEL : SB 19003 - EVOQUE DRESSOIR 220

HARDWARE	A	B	C	D	E	F	G	H	I	J	K	L	M	N	O	P		
	PLASTIC DOWEL M8X25 1X62	CB SCREW M3.5X12 1X36	CB SCREW M3.5X16 1X28	CB SCREW M4X25 1X6	CB SCREW M4X35 1X24	CSK CAP M6X40 1X10	METAL SHELF SUPPORT 1X8	POWER NAIL 6/8 1X95	MINIFIX 5654 25 SETS	CAP 1X18	ALLEN KEY 1X1	METAL PIN 1X8	HANDLE VSC 12 - PVC 1X5	P/H SCREW M4X24 1X4	P/H SCREW M4X40 1X6	HINGES (INSIDE) 4 SETS	METAL BRACKET 1X2	DRAWER SLIDE 16" 3 SETS

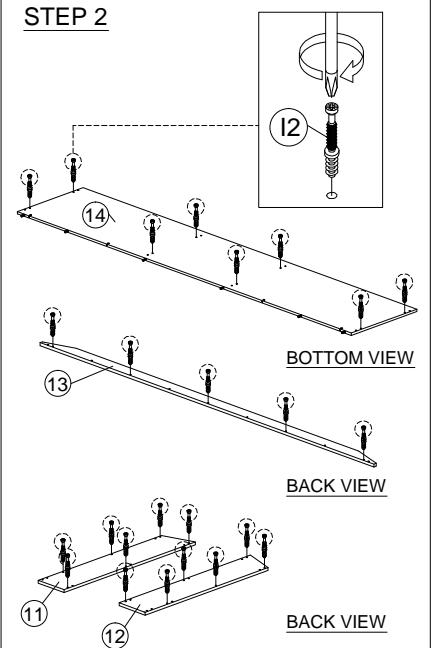
## Part List



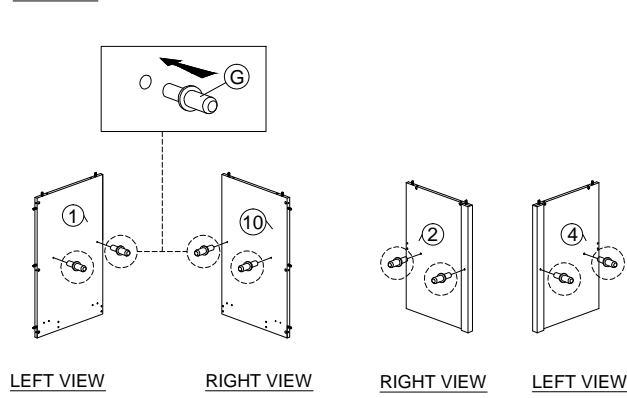
## STEP 1 - Dowel fitting



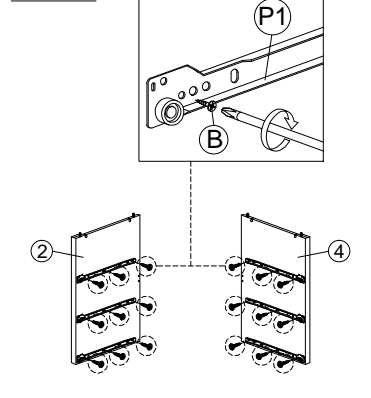
## STEP 2



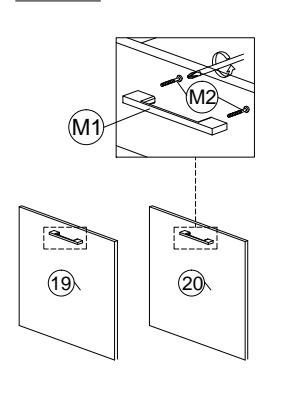
## STEP 3



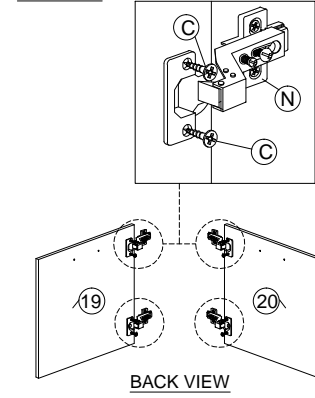
## STEP 4



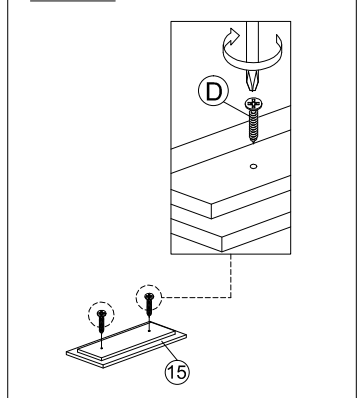
## STEP 5



## STEP 6

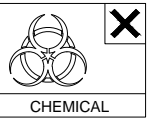


## STEP 7

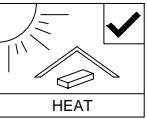




SOFT, DRY CLOTH



CHEMICAL



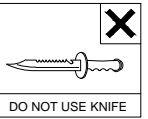
HEAT



KEEP DRY



HANDLE WITH CARE

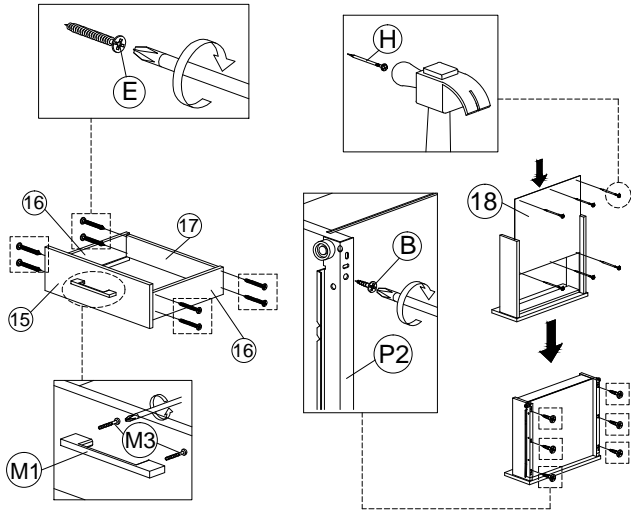


DO NOT USE KNIFE

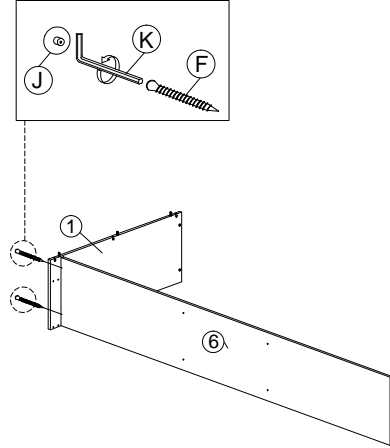
# ASSEMBLY INSTRUCTION

MODEL : SB 19003 - EVOQUE DRESSOIR 220

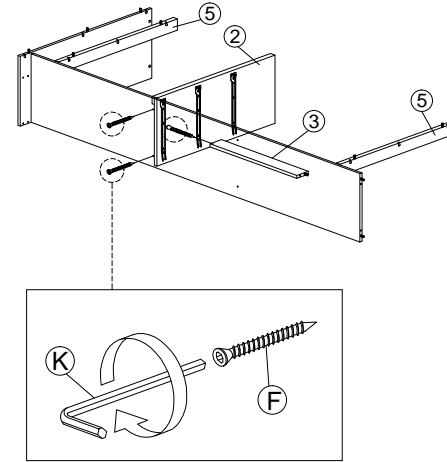
## STEP 8



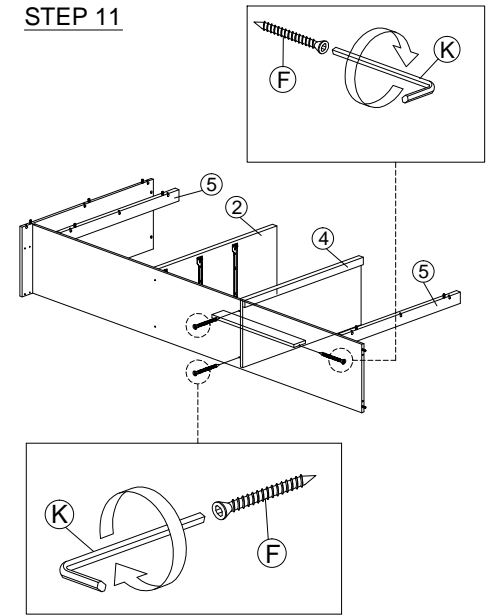
## STEP 9



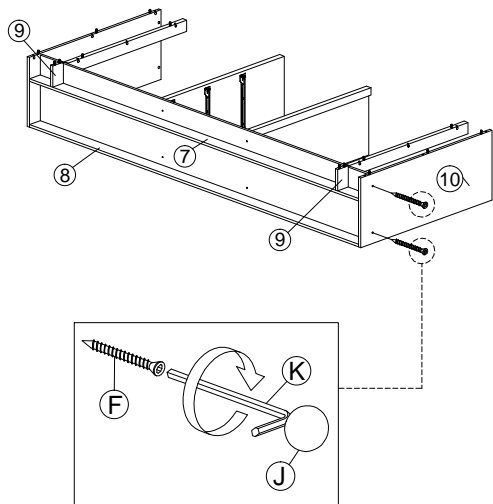
## STEP 10



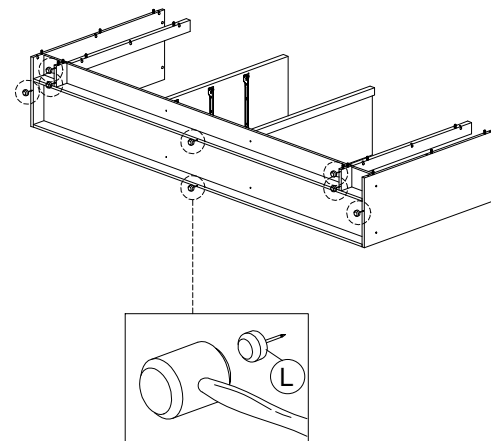
## STEP 11



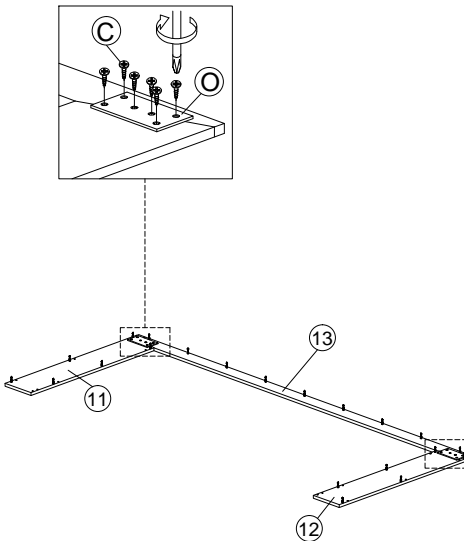
## STEP 12



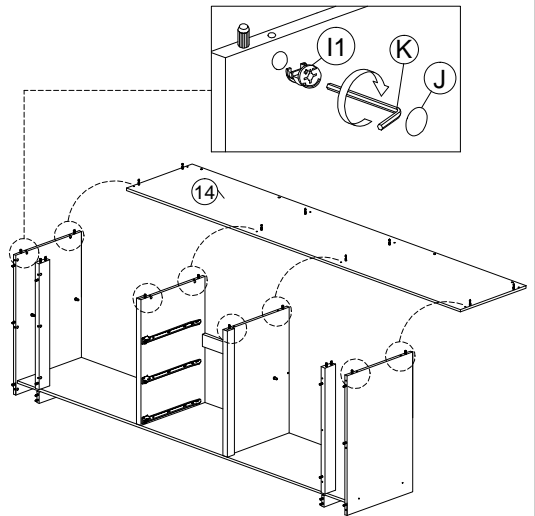
## STEP 13



## STEP 14

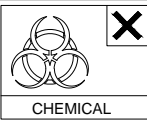


## STEP 15

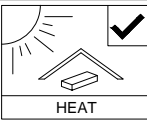




SOFT, DRY CLOTH



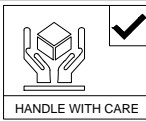
CHEMICAL



HEAT



KEEP DRY



HANDLE WITH CARE

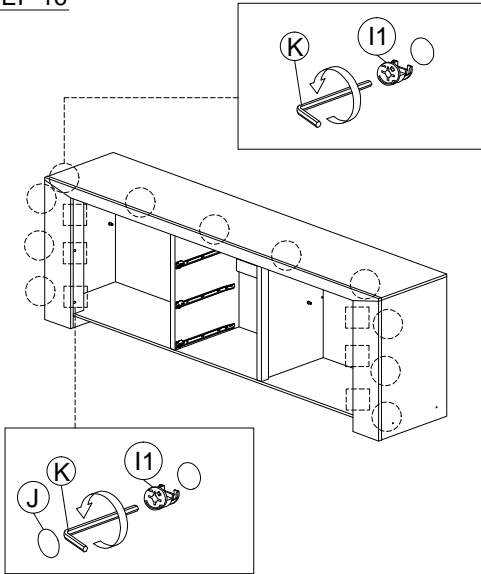


DO NOT USE KNIFE

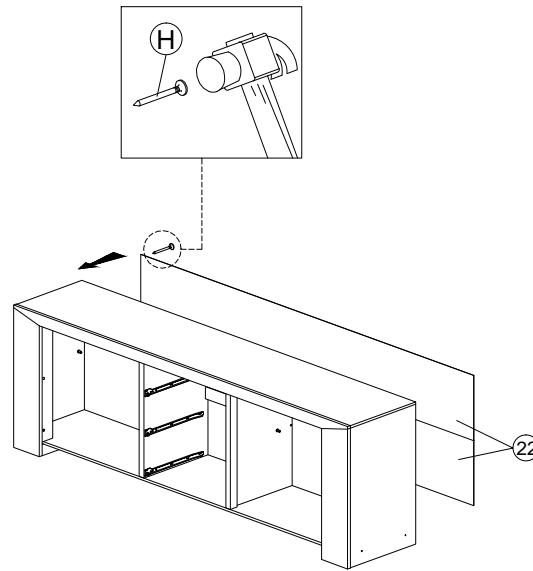
# ASSEMBLY INSTRUCTION

MODEL : SB 19003 - EVOQUE DRESSOIR 220

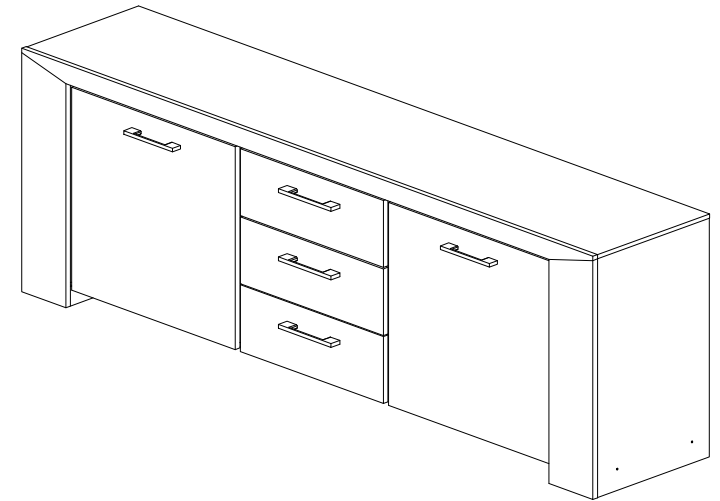
## STEP 16



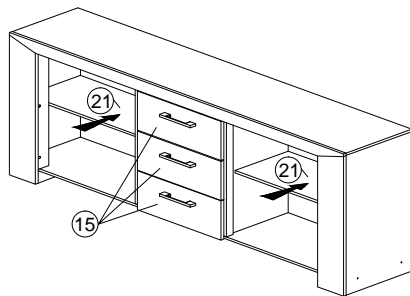
## STEP 17



## COMPLETED



## STEP 18



## STEP 19

