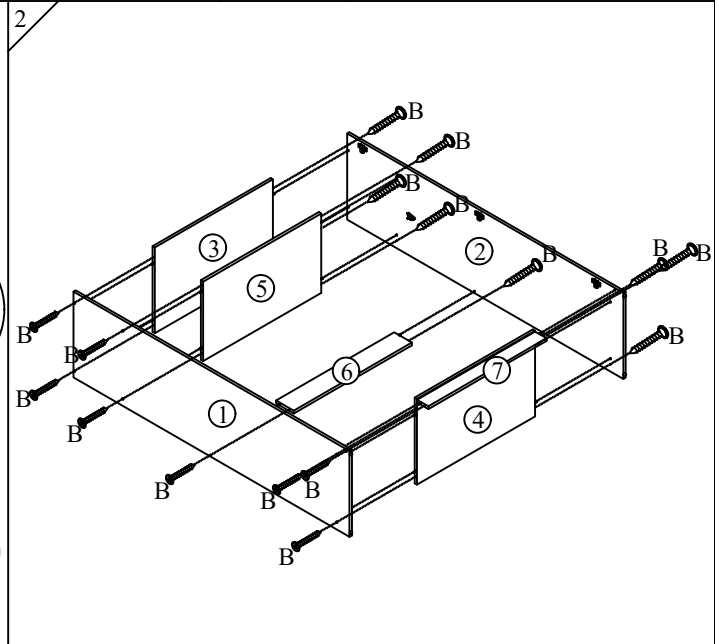
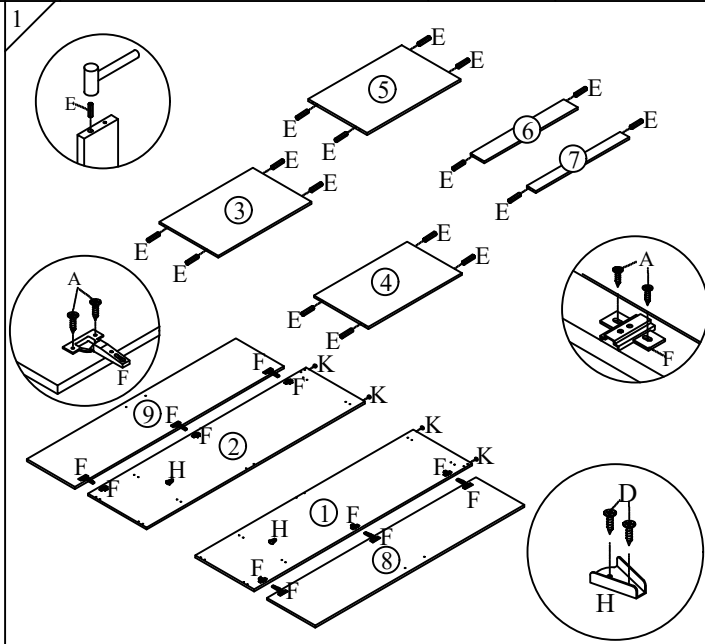
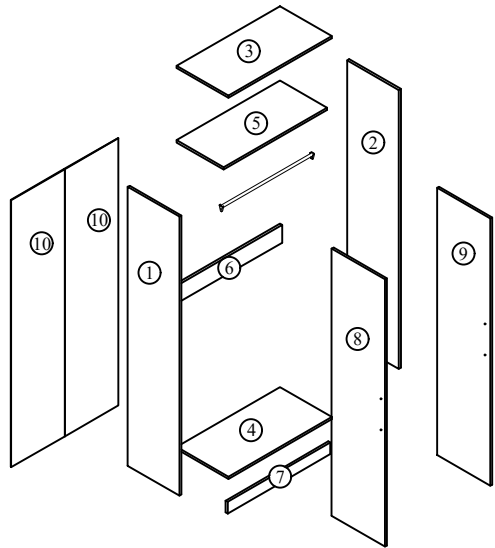


Model	DN WAR 200 104-3	Issue Date	11 - 11 - 2022	Draw By	YN NG	Approved By / Date	
Form No	P13-RD-05-Rev01	Revision	WAR 1.0	Checked By	YN NG	Sheet	01 / 01
Description	Assembly Instructions						



A		CSK SCREW M4 x 16mm	24
B		CSK SCREW M4 x 45mm	16
C		M4 x 30mm CSK SCREW	4
D		M3.5 x 12mm CSK SCREW	4
E		WOOD DOWEL 6 x 25mm	16
F		HINGES 5/8"	6
G		PVC HANDLE AC81-160	2
H		V - BRACKET	2
I		PIPE 763mm	1
J		NAIL	30
K		PVC NAIL	4

