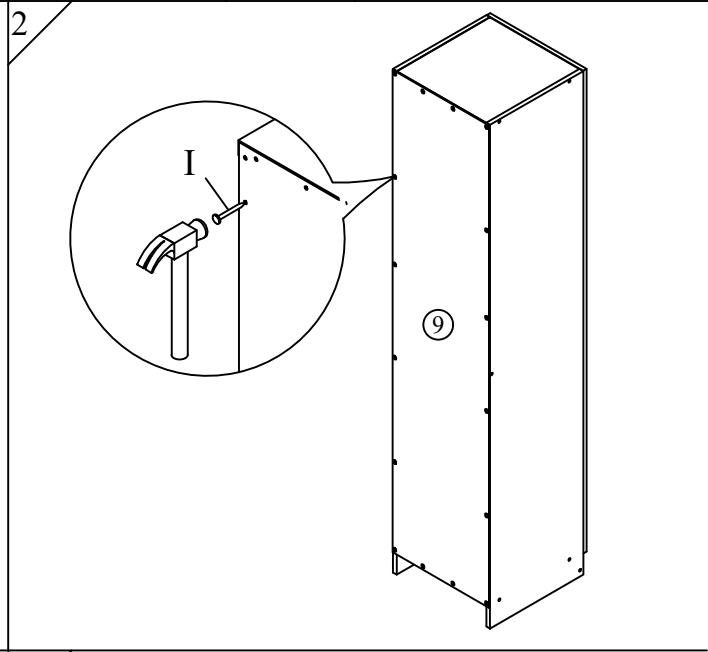
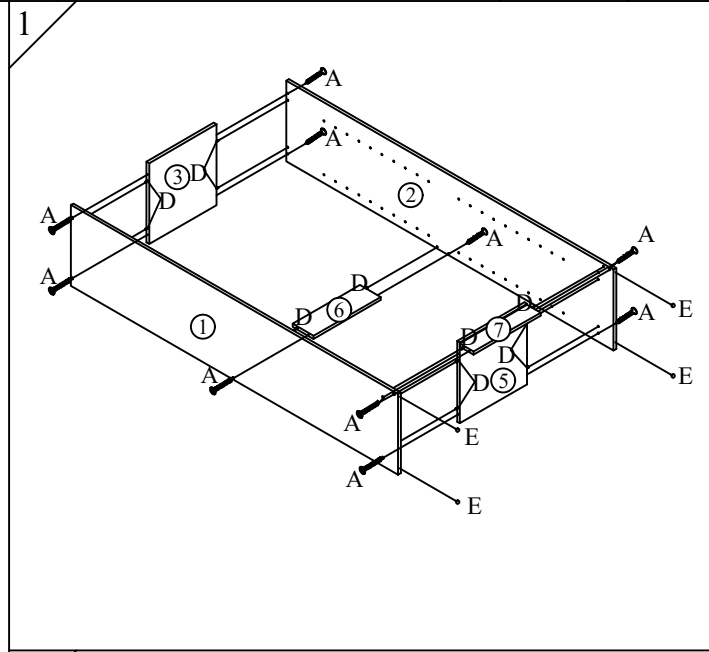
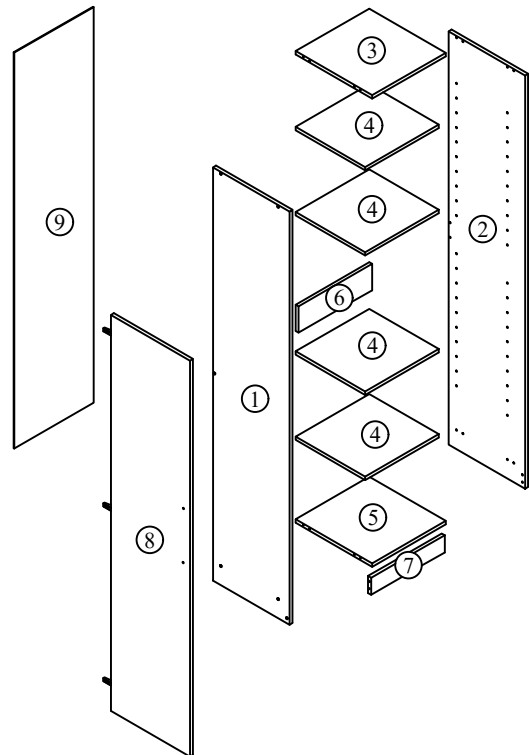


|             |                  |               |                        |            |       |                    |         |
|-------------|------------------|---------------|------------------------|------------|-------|--------------------|---------|
| Model       | DN WAR 165 000-3 | Issue Date    | 12 - 11 - 2022         | Draw By    | YN NG | Approved By / Date |         |
| Description | P13-RD-05-Rev01  | Finished Size | W400 x D400 x H1800 mm | Checked By | YN NG | Sheet              | 01 / 01 |
| Revision    | WAR 1.0          |               |                        |            |       |                    |         |



|   |  |                      |    |
|---|--|----------------------|----|
| A |  | M4 x 45 CSK SCREW    | 12 |
| B |  | M4 x 30 CSK SCREW    | 2  |
| C |  | M4 x 16 CSK SCREW    | 12 |
| D |  | WOOD DOWEL M6 x 25mm | 12 |
| E |  | PVC NAIL             | 4  |
| F |  | HINGES 5/8"          | 3  |
| G |  | PVC SHELF SUPPORT    | 16 |
| H |  | PVC HANDLE AC81-160  | 1  |
| I |  | NAIL                 | 22 |

