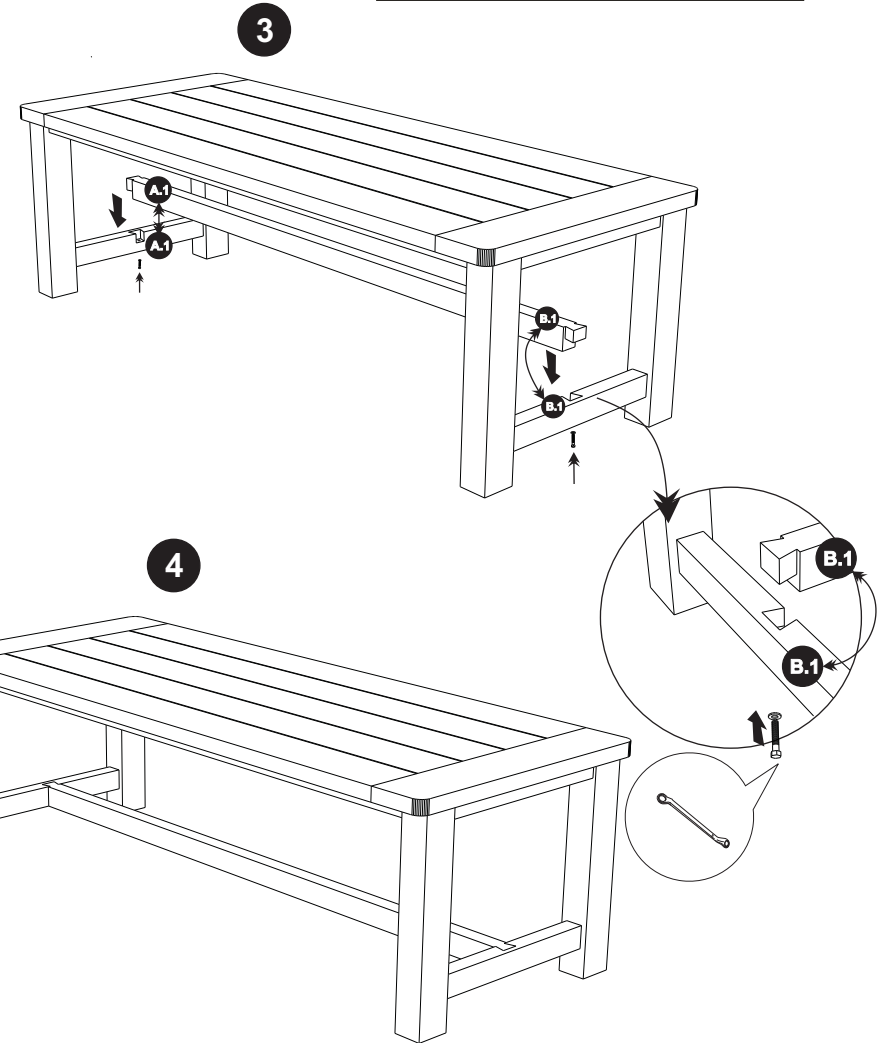
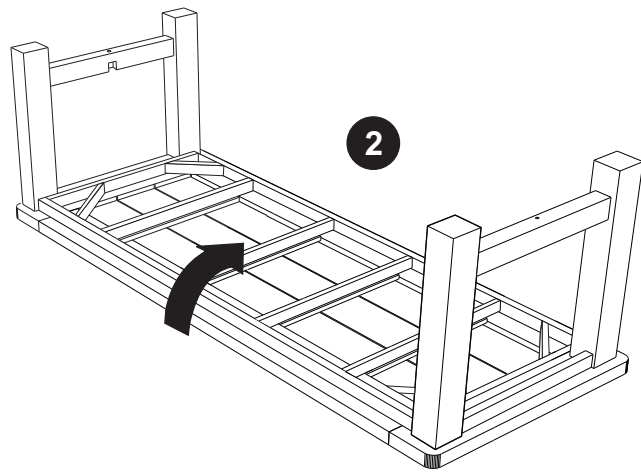
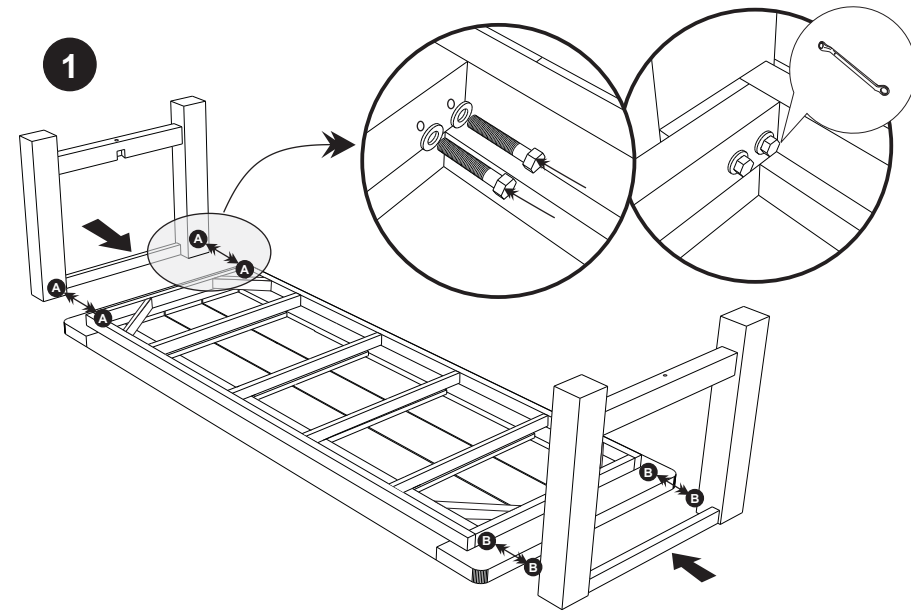
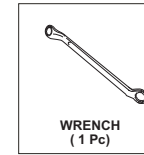


ASSEMBLY INSTRUCTION

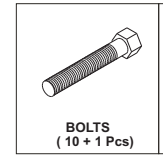


TOOL



WRENCH
(1 Pc)

HARDWARE

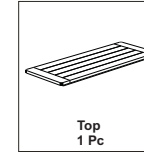


BOLTS
(10 + 1 Pcs)



RINGS
(11 Pcs)

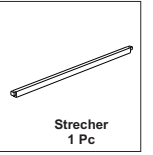
PRODUCT PARTS



Top
1 Pc



Legs
2 Pcs



Stretcher
1 Pc