

# ASSEMBLY INSTRUCTION

MODEL : 1226-6379C-S7

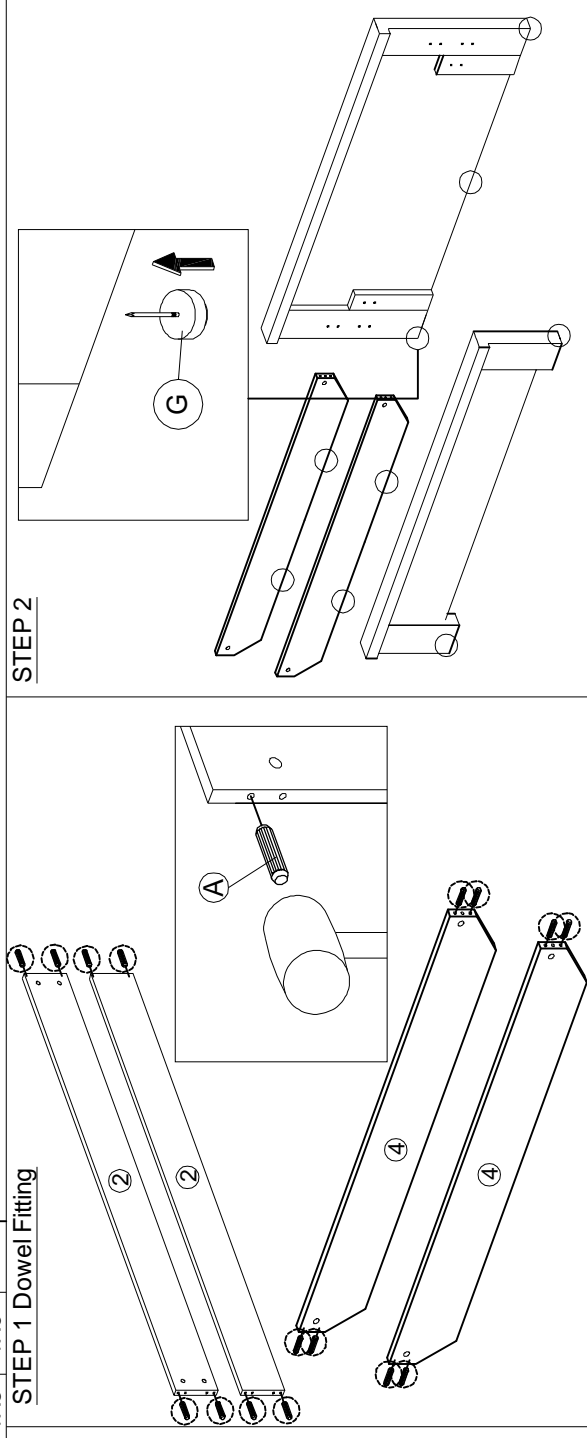
SOFT, DRY CLOTH	CHEMICAL	HEAT	KEEP DRY	HANDLE WITH CARE	DO NOT USE KNIFE	

ARTICLE	DESCRIPTION	QUANTITY
A	PLASTIC DOWEL 8 X 25	1X16
B	JCBC 60MM MBX6MM	1X8
C	ALLEN KEY	1X1
D	BARREL NUT	1X8
E	RECTANGULAR BED BRACKET	1X8
E1	RECTANGULAR BED BRACKET	1X8
E2	SCREW M3.5X18MM	1X16
F	MINIFIX CAP	1X8
G	PLASTIC PIN	1X9
H	H1 H2 MINIFIX	4 sets

## ART LIST

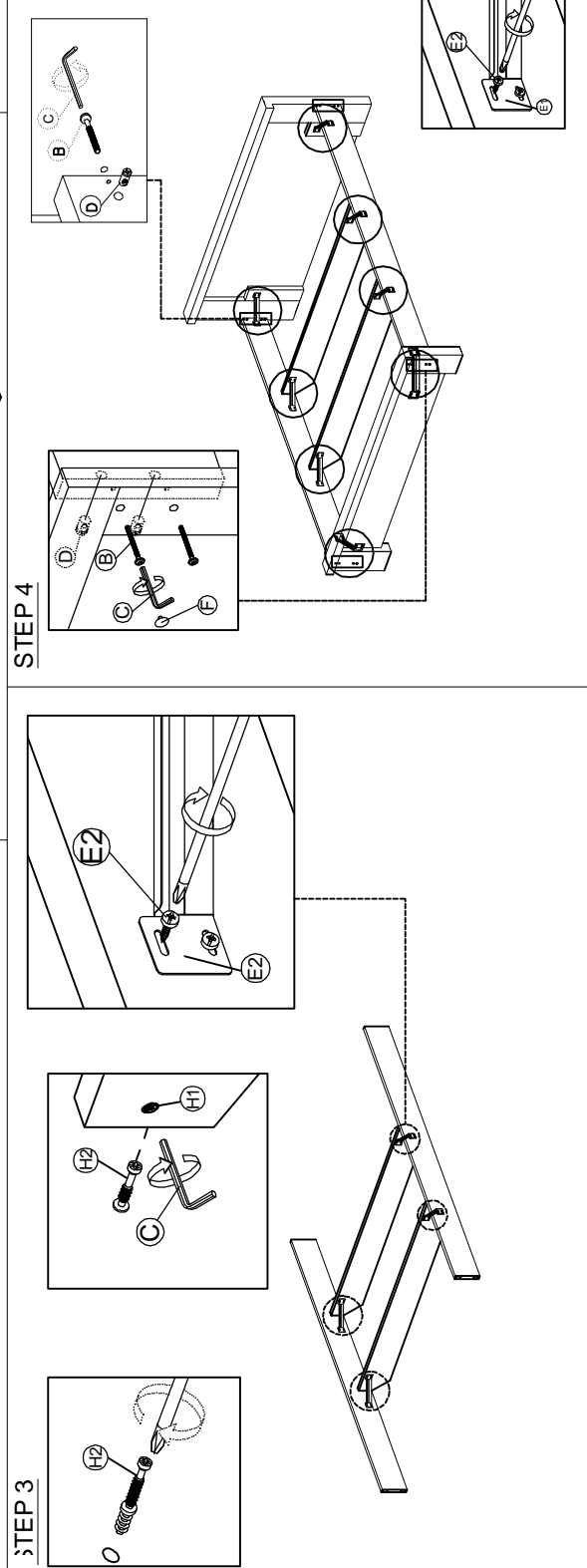
## STEP 1 Dowel Fitting

## STEP 2



## STEP 3

## STEP 4



## COMPLETED

