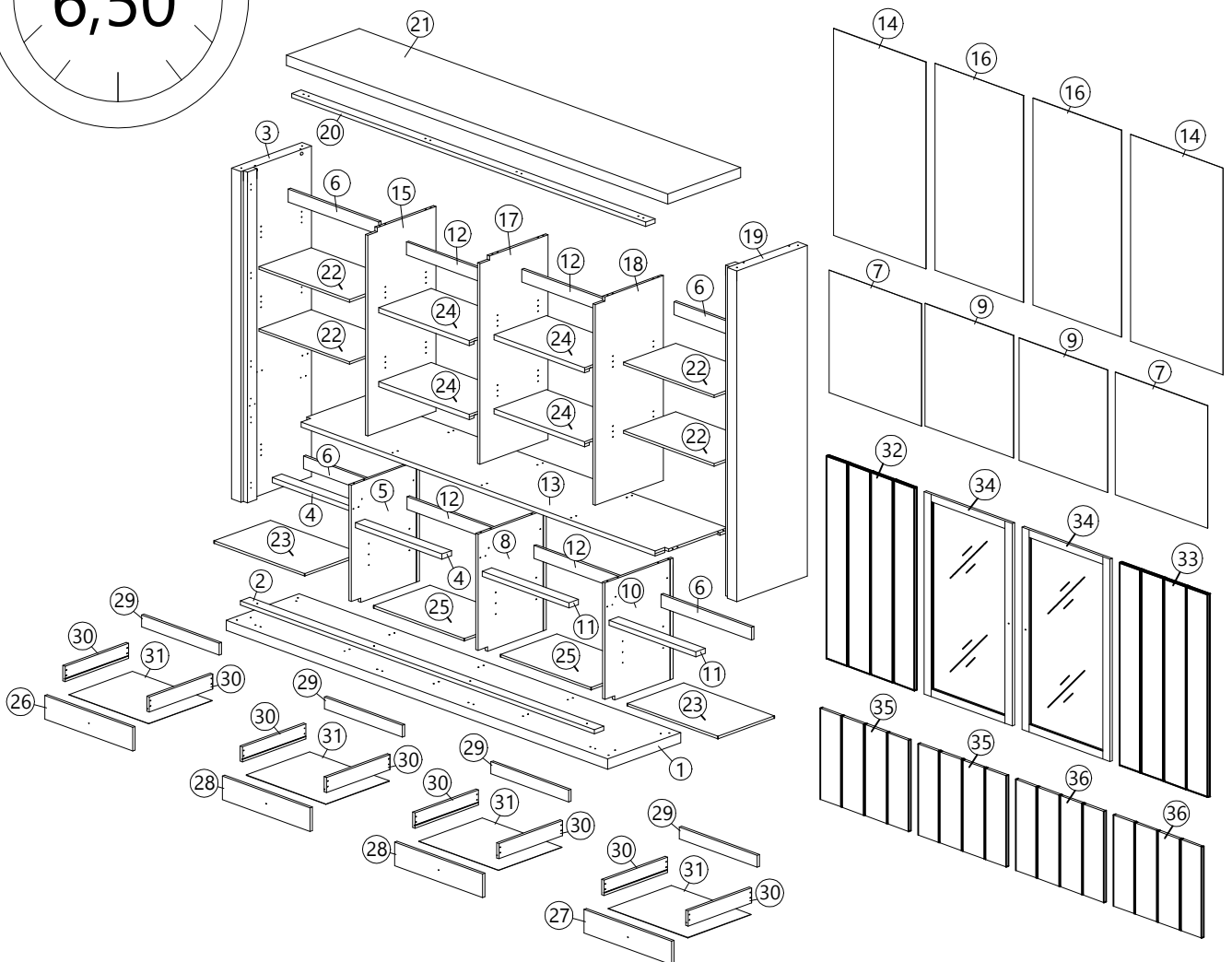
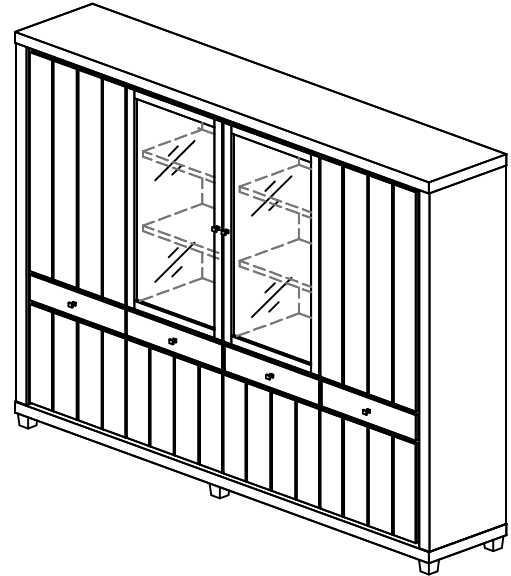
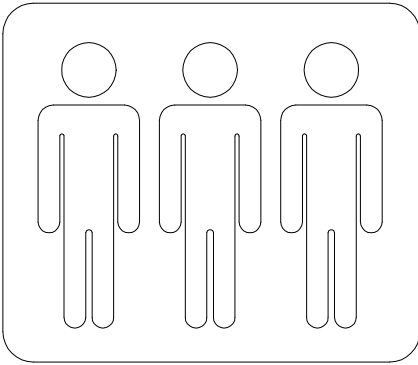
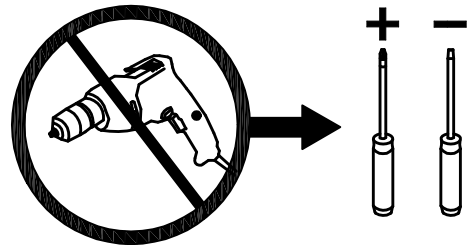
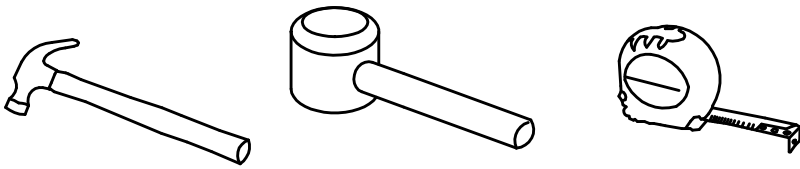




## BC 70156G-HNC-E1-S5VP





**ALGEMENE ONDERHOUDSVOORSCHRIFTEN :**

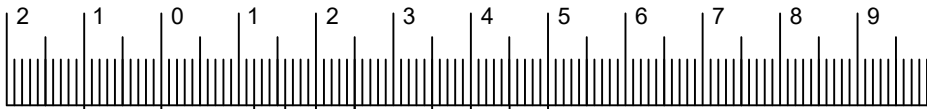
Om de tafelbladen te beschermen mogen geen hete pannen, kaarsen of andere hete glazen op het oppervlakte geplaatst worden, gebruik hiervoor een beschermende onderligger.  
 Reinigen van oppervlaktes : met licht vochtige doek of zeemvel reinigen en direct droog wrijven. Zeker geen vocht laten staan op de oppervlaktes. Gebruik van ruwe materialen zoals schuurpons, schuurmiddelen, chemische producten zoals verdunners ammoniak of boenwas zijn niet toegelaten. Ook geen siliconen houdende producten aanwenden zoals pledge enz.  
 Garantie : Indien bovenstaande voorschriften niet gevolgd worden vervalt de garantie.

**INFORMATION GENERALE D'ENTRETIEN :**

Pour la protection de la surface des tables et autres éviter de mettre des casseroles chaudes ainsi que des bougies ou verres chaudes (thé) sur la surface sans protection.  
 L'entretien des surfaces : Utilisez un chiffon légèrement humide et séchez aussitôt. Jamais laisser des liquides sur les surfaces, les meubles ne sont pas adaptés pour un emplacement dans des pièces humides. Des éponges abrasives, tout produits chimiques : ammoniac, détergent, diluent; ou cirage et produits d'entretien comme Pledge sont interdit. Garantie : La garantie expire si les prescriptions d'entretien générale ne sont pas respecter.

**MAINTENANCE PRESCRIPTIONS :**

To protect the table tops never put hot items on these surfaces. Clean with a slightly wet cloth and wipe dry immediately. Never let water or other wet items on the table tops, this furniture is not suitable for wet locations. Do not use solvent, thinner, or other chemical products to clean.  
 Warranty : Expires if above prescriptions are not respected.

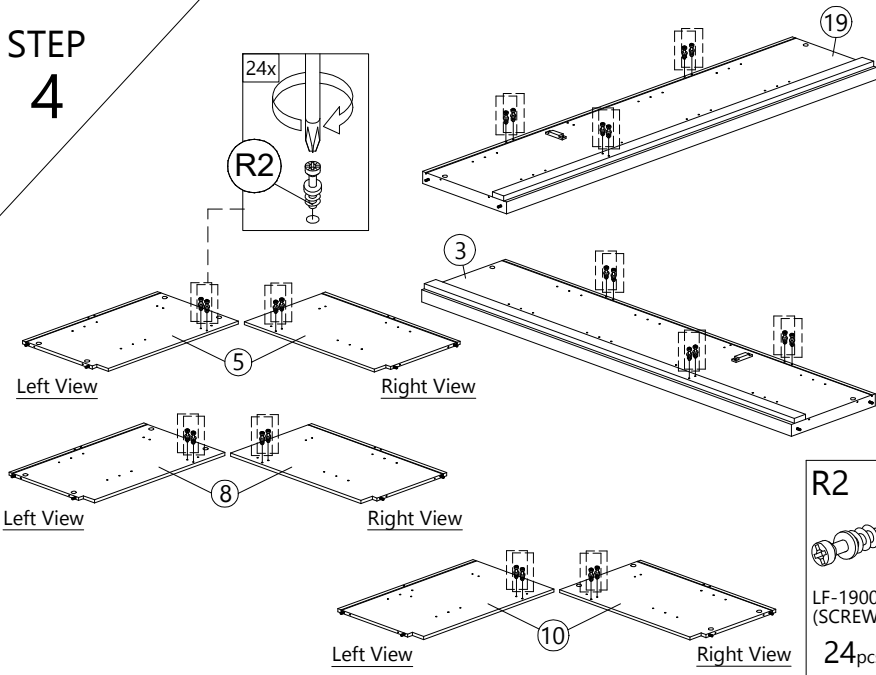


	PLASTIC DOWEL 8X25 A=52pcs
	CB SCREW M3.5X12 B=60pcs
	CB SCREW M3.5X16 C=88pcs
	CB SCREW M3.5X20 D=100pcs
	CB SCREW M4X25 E=8pcs
	CB SCREW M4X35 F=32pcs
	CB SCREW M4.5X45 G=12pcs
	CSK CAP M6X40 H=8pcs
	CSK CAP M6X50 I=8pcs

<b>J</b>  METAL SHELF SUPPORT 48pcs	<b>K1</b>  MINIFIX 5654 (SCREW) 36pcs	<b>K2</b>  MINIFIX 5654 (HOUSING) 36pcs	<b>L</b>  HINGES 2 1/8" 14pcs	<b>M</b>  HINGES 2 1/8" (SMALL) 6pcs
<b>N</b>  CAP 44pcs	<b>O</b>  SOFA LEG (70MM)-BLACK 6pcs	<b>P1</b>  METAL SQUARE HANDLE -BLACK 6pcs	<b>P2</b>  HANDLE SCREW M4X22 2pcs	<b>P3</b>  HANDLE SCREW M4X35 4pcs
<b>Q</b>  ABS DRAWER PIN (25MM) 2pcs	<b>R1</b>  LF-19007 (HOUSING) 24pcs	<b>R2</b>  LF-19007 (SCREW) 24pcs	<b>S S1 S2</b>  DRAWER SLIDE 16" (S1=8pcs/S2=8pcs) 4sets	
<b>T1</b>  MAGNET WASHER 6pcs	<b>T2</b>  MAGNET SCREW 6pcs	<b>T3</b>  MAGNET PLATE 6pcs	<b>T4</b>  PUSH MAGNET 6pcs	<b>U</b>  ALLEN KEY 1pc
<b>V</b>  PYRAMID ANGLE CORNER BLOCK 32pcs	<b>W</b>  PLASTIC CORNER BLOCK 32pcs	<b>X</b>  POWER NAIL 5/8" 32pcs	<b>Y</b>  CENTER ADJ LEG (H65-80MM) 2pcs	

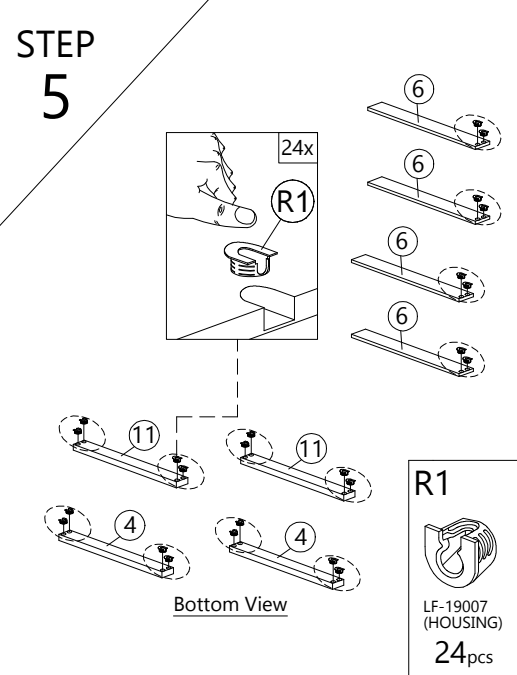


# STEP 4



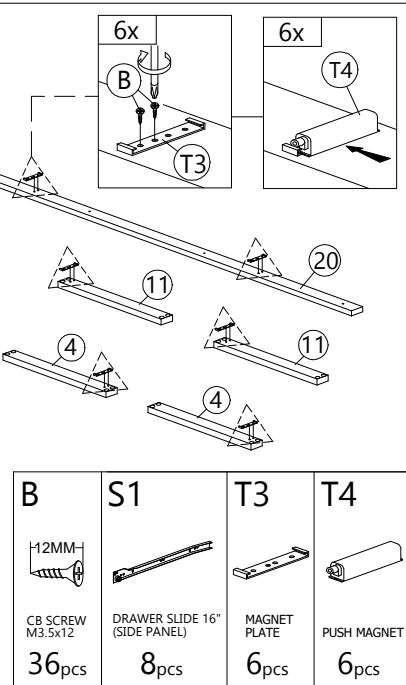
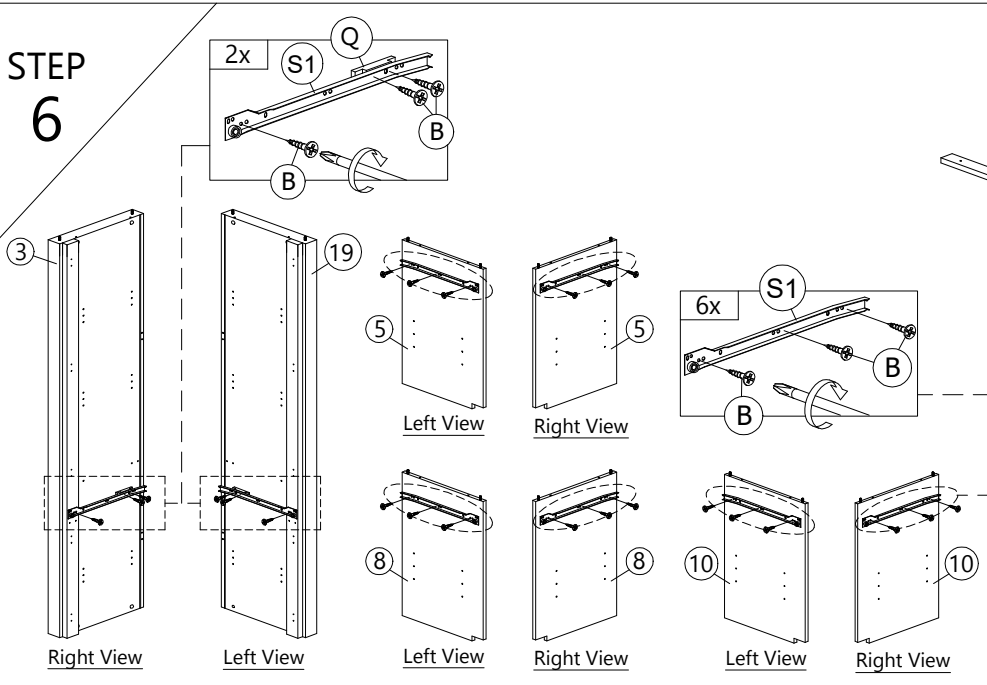
**R2**  
  
 LF-19007 (SCREW)  
 24pcs

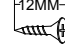



# STEP 5



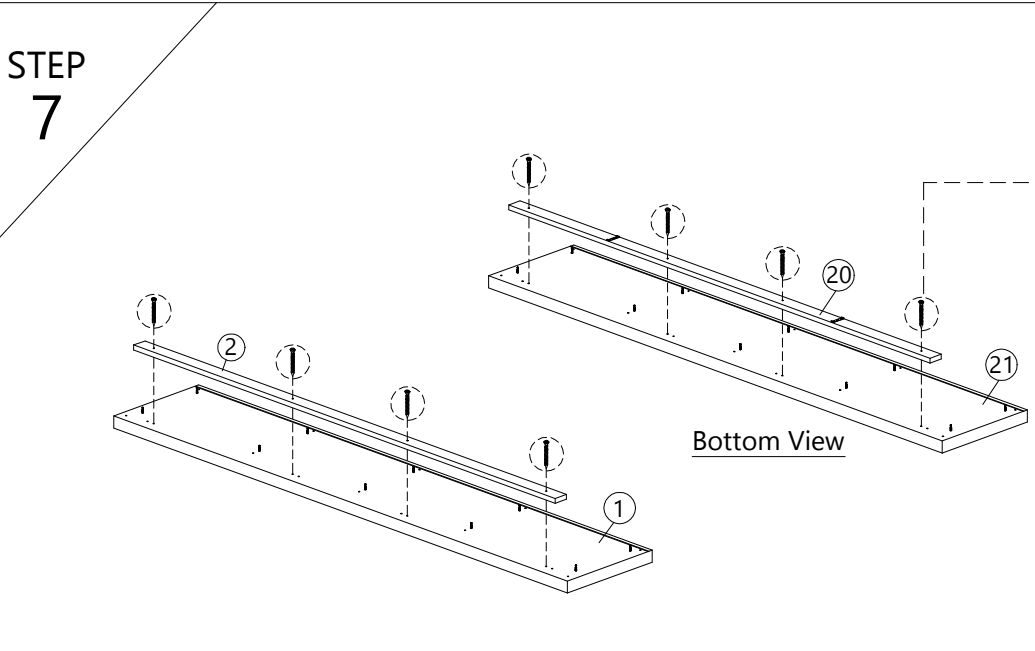
**R1**  
  
 LF-19007 (HOUSING)  
 24pcs

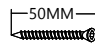


# STEP 6



<b>B</b>  CB SCREW M3.5x12 36pcs	<b>S1</b>  DRAWER SLIDE 16" (SIDE PANEL) 8pcs	<b>T3</b>  MAGNET PLATE 6pcs	<b>T4</b>  PUSH MAGNET 6pcs
--	---	--	---

# STEP 7



<b>I</b>  CSK CAP M6x50 8pcs	<b>N</b>  CAP 8pcs	<b>U</b>  ALLEN KEY 1pc
--	--	---

# STEP 8

**Bottom View**

USE HAND TO ROTATION  
ROUND PART ADJUST TO  
HIGH 70MM

<b>C</b> 16MM CB SCREW M3.5x16 8pcs	<b>G</b> 45MM CB SCREW M4.5x45 12pcs	<b>O</b> SOFA LEG (70MM) BLACK 6pcs	<b>Y</b> CENTER ADJ. LEG (H65-80MM) 2pcs
---	--	---	--

# STEP 9

**P1**  
METAL SQUARE  
HANDLE (BLACK)  
2pcs

**P2**  
22MM  
HANDLE  
SCREW  
M4X22  
2pcs

# STEP 10

**Inside View**

**Inside View**

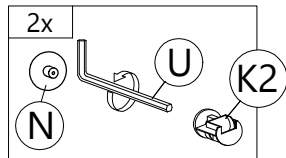
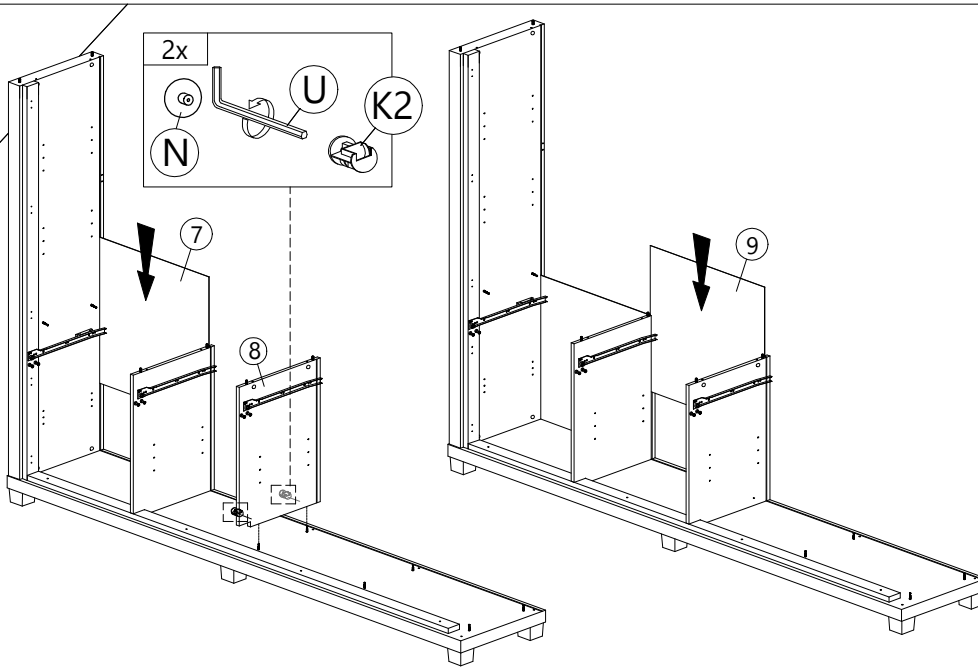
<b>C</b> 16MM CB SCREW M3.5x16 40pcs	<b>L</b> HINGES 2/8" 14pcs	<b>M</b> HINGES 2/8" (SMALL) 6pcs	<b>T1</b> MAGNET WASHER 6pcs	<b>T2</b> MAGNET SCREW 6pcs
--	----------------------------------	--	---------------------------------------	--------------------------------------

# STEP 11

**Warning:** WHILE ASSEMBLING,  
PLEASE SUPPORT  
THE PANEL AS PER  
THE DIAGRAM.

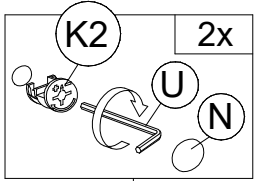
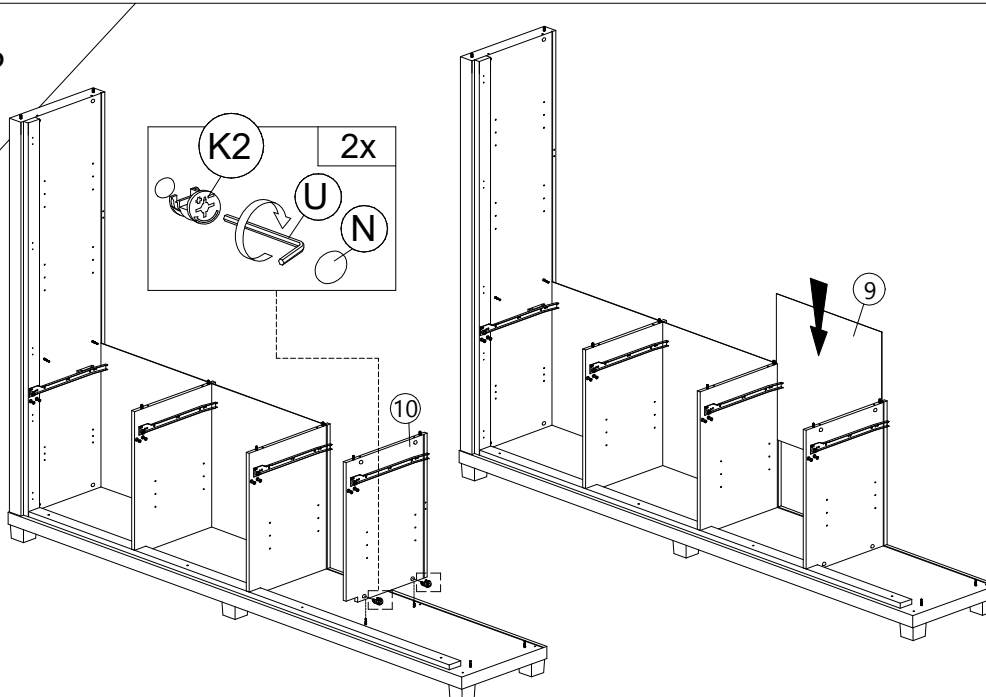
<b>K2</b> MINIFIX 5654 (HOUSING) 4pcs	<b>N</b> CAP 4pcs	<b>U</b> ALLEN KEY 1pc
--	-------------------------	------------------------------

# STEP 12



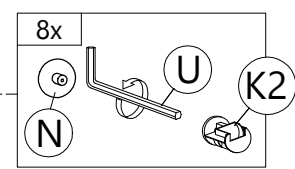
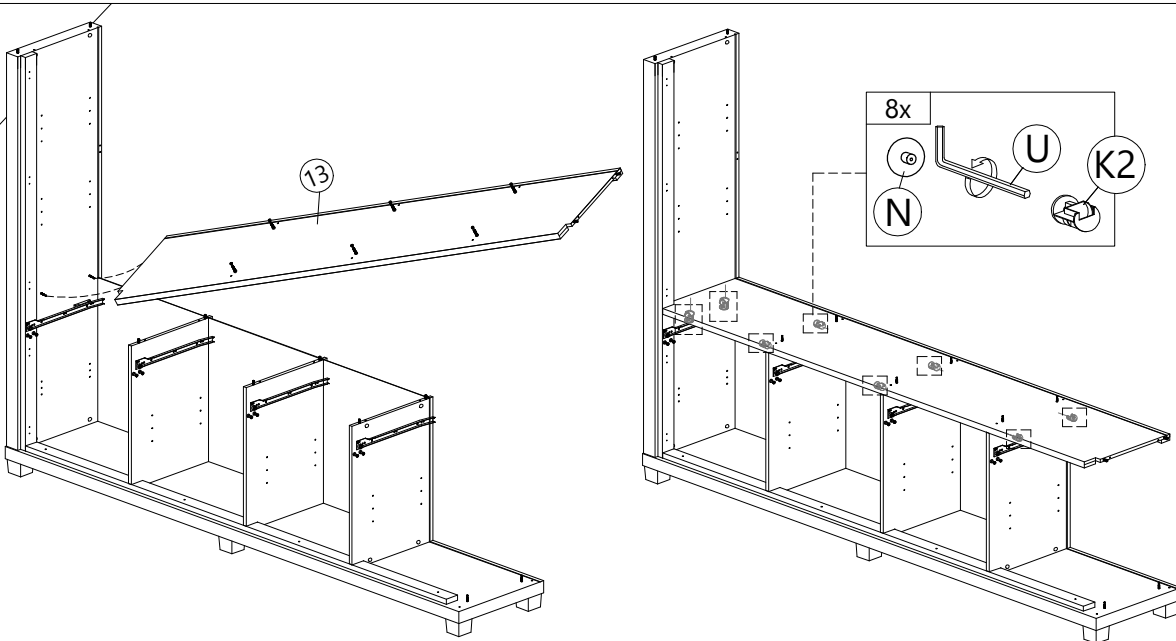
<b>K2</b>  MINIFIX 5654 (HOUSING) 2 pcs	<b>N</b>  CAP 2 pcs	<b>U</b>  ALLEN KEY 1 pc
--	------------------------------	-----------------------------------

# STEP 13



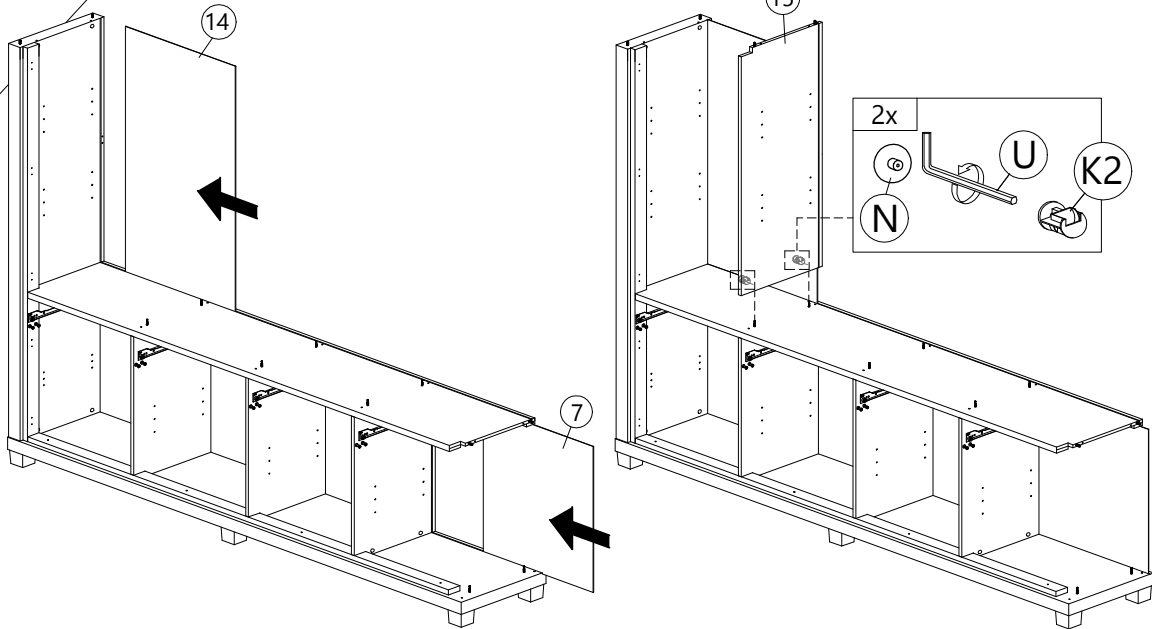
<b>K2</b>  MINIFIX 5654 (HOUSING) 2 pcs	<b>N</b>  CAP 2 pcs	<b>U</b>  ALLEN KEY 1 pc
--	------------------------------	-----------------------------------

# STEP 14



<b>K2</b>  MINIFIX 5654 (HOUSING) 8 pcs	<b>N</b>  CAP 8 pcs	<b>U</b>  ALLEN KEY 1 pc
--	------------------------------	-----------------------------------

STEP 15



K2



MINIFIX 5654 (HOUSING)

2 pcs

N



CAP

2 pcs

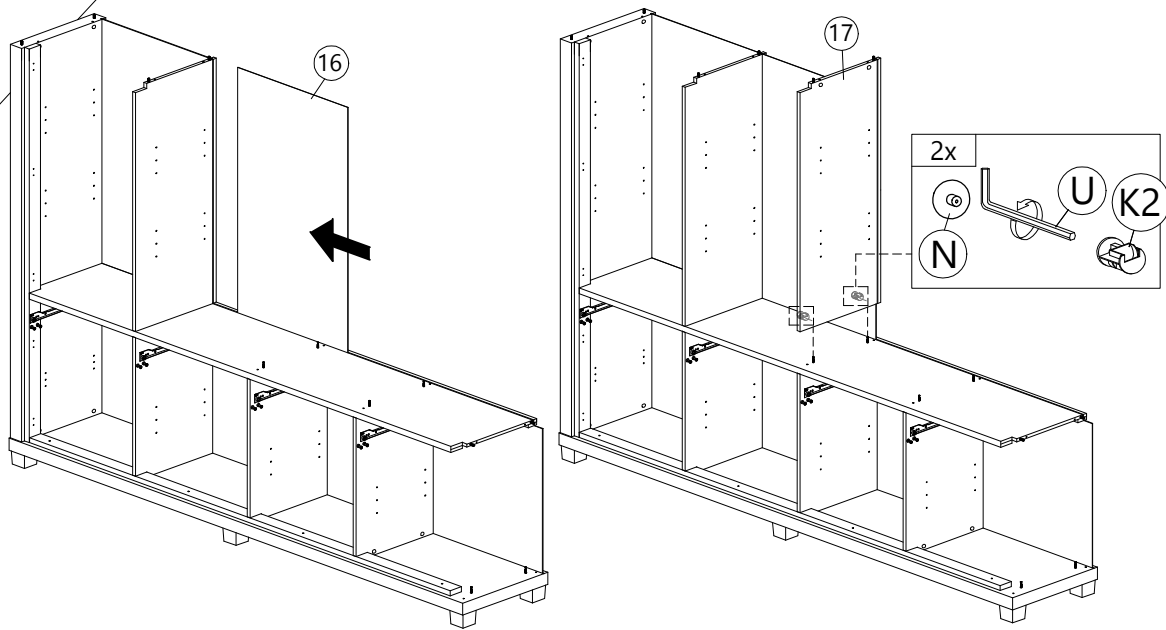
U



ALLEN KEY

1 pc

STEP 16



K2



MINIFIX 5654 (HOUSING)

2 pcs

N



CAP

2 pcs

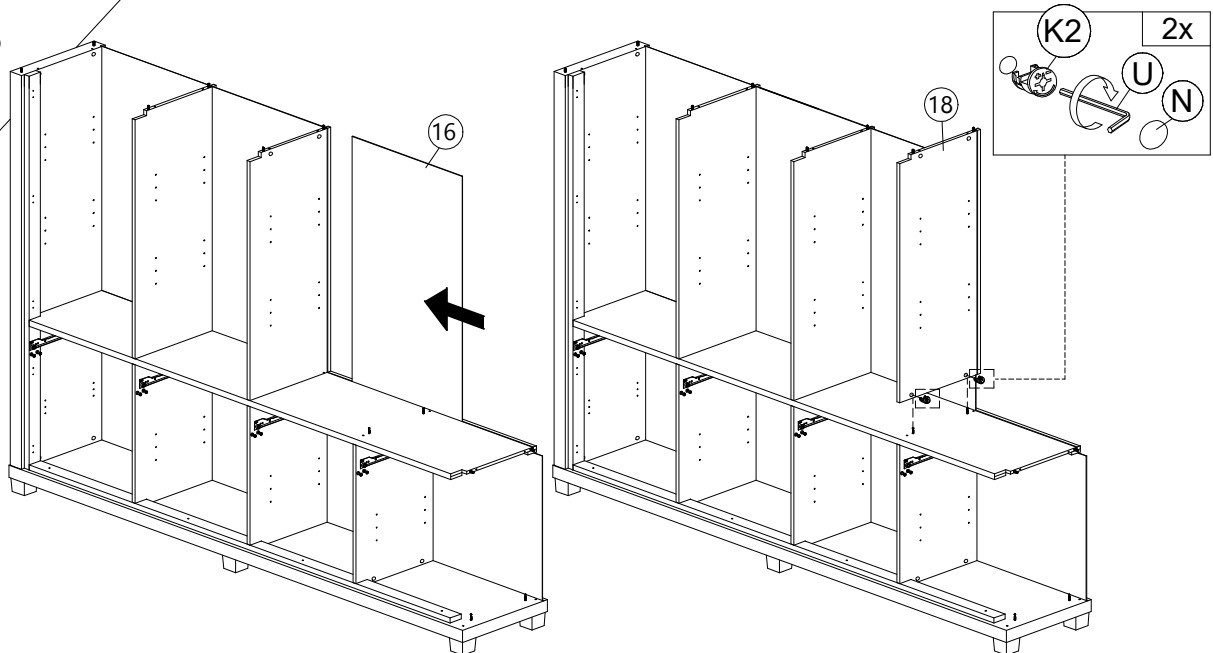
U



ALLEN KEY

1 pc

STEP 17



K2



MINIFIX 5654 (HOUSING)

2 pcs

N



CAP

2 pcs

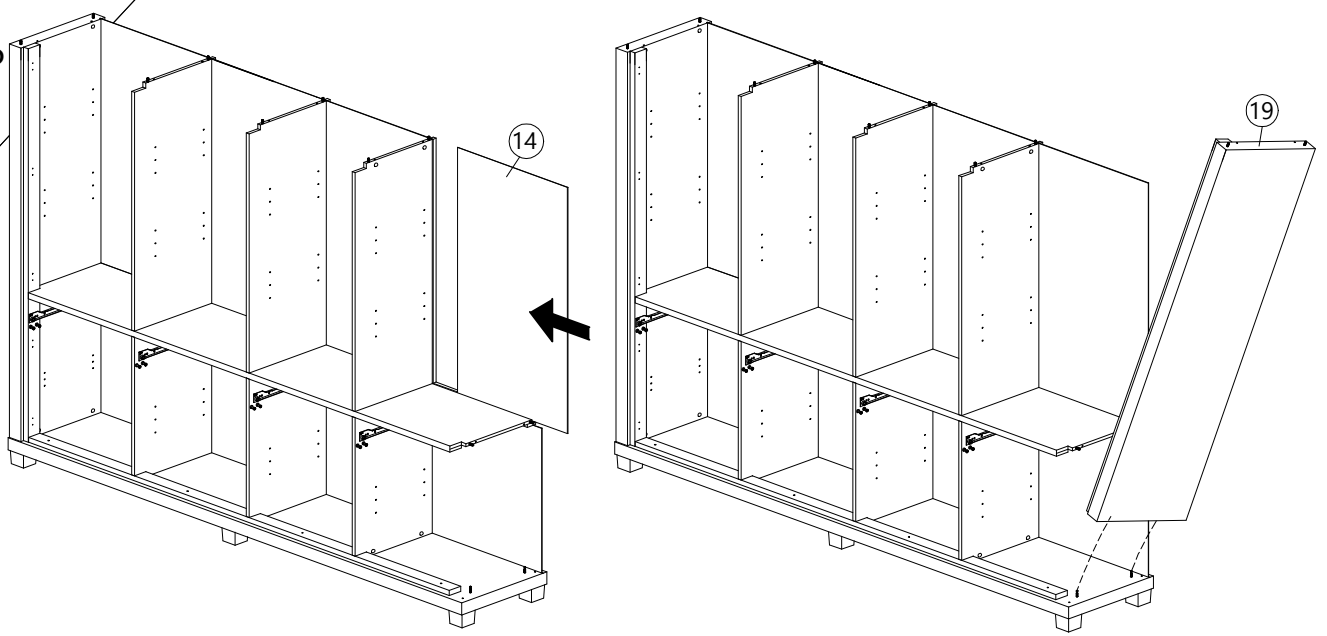
U



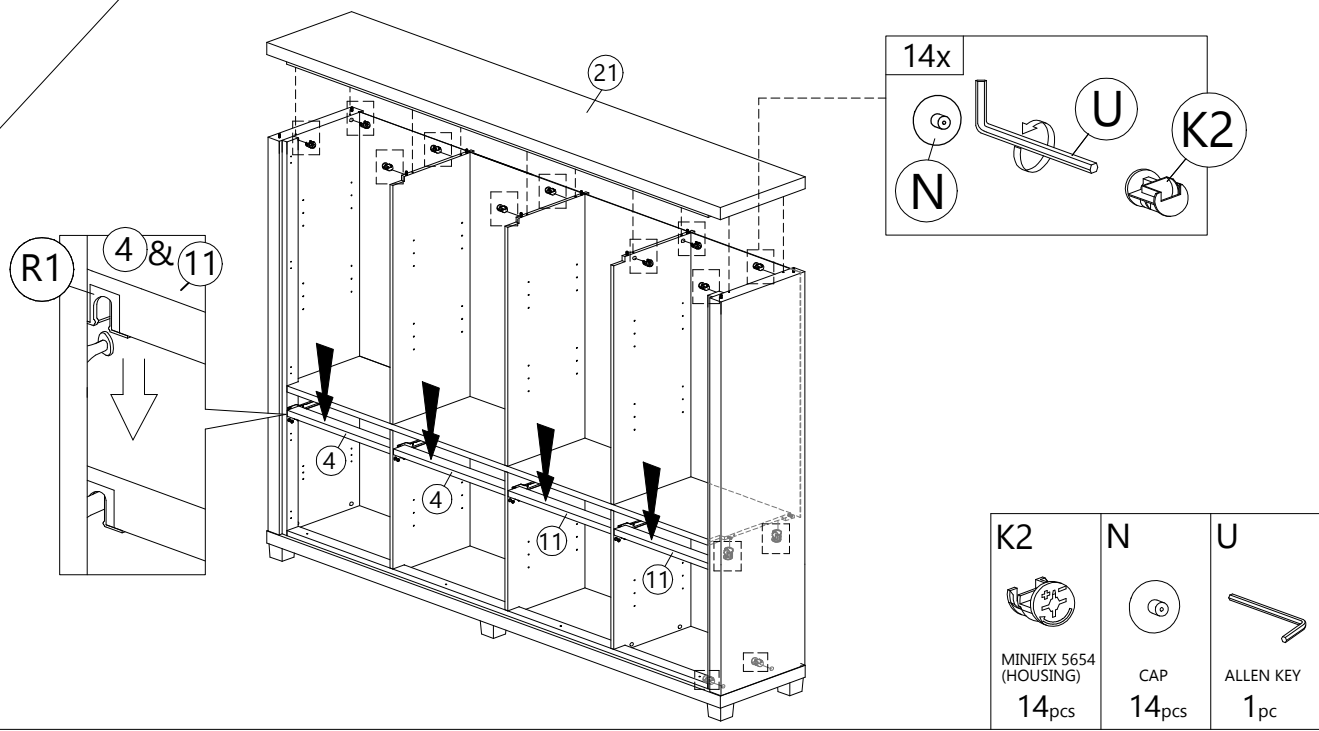
ALLEN KEY

1 pc

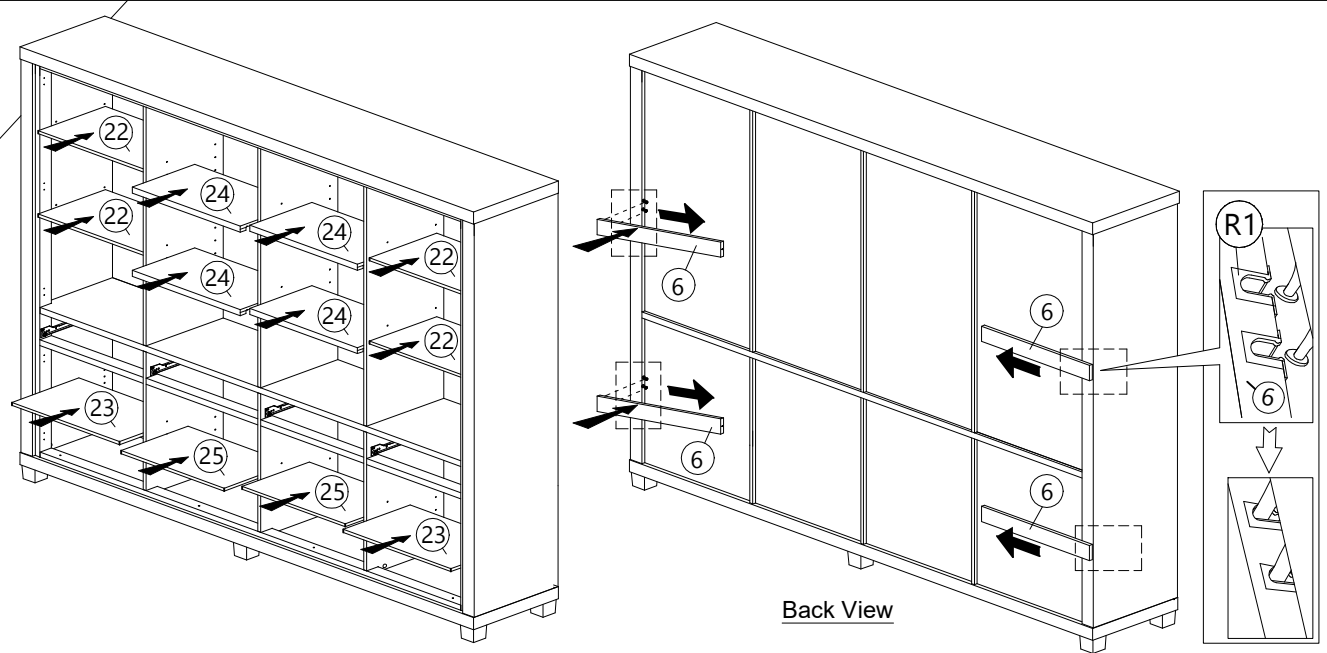
**STEP 18**



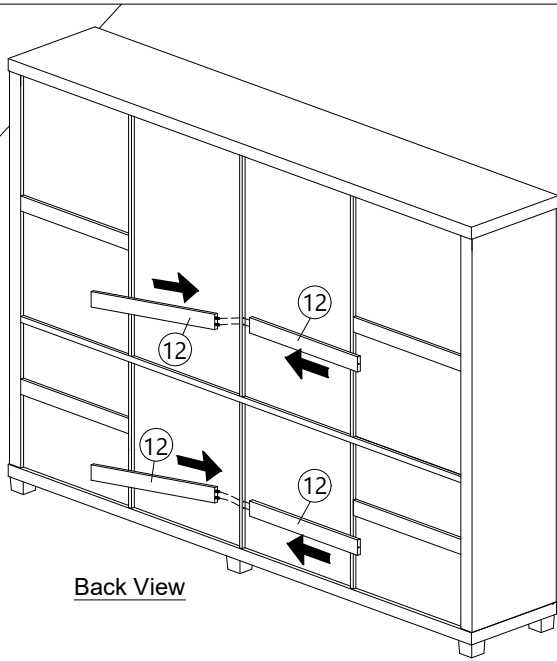
**STEP 19**



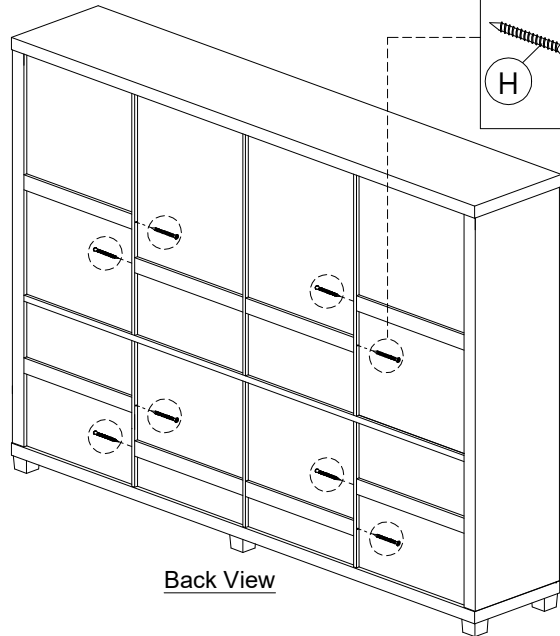
**STEP 20**



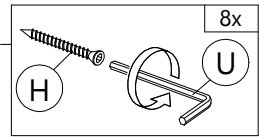
# STEP 21



Back View

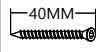


Back View



8x

H



CSK CAP

M6X40

8pcs

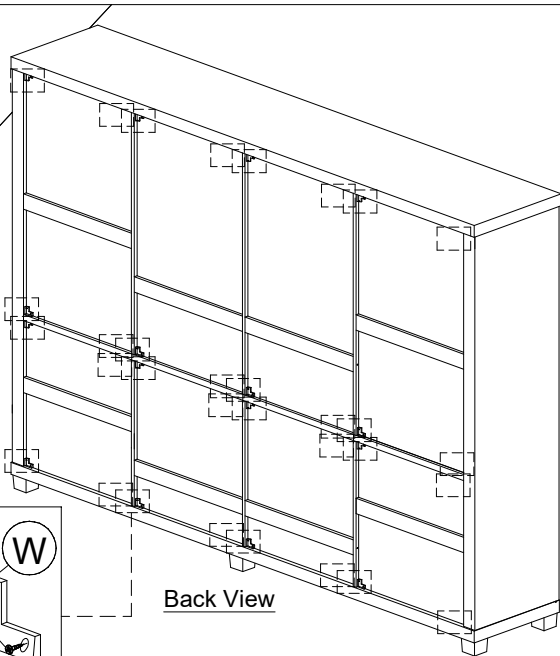
U



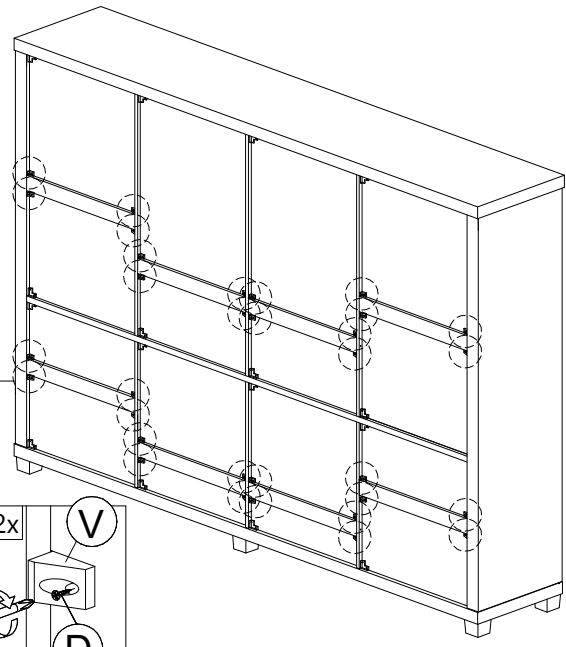
ALLEN KEY

1pc

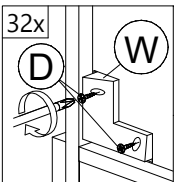
# STEP 22



Back View



Back View

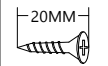


32x

D

W

D



CB SCREW

M3.5X20

96pcs

V



PYRAMID  
ANGLE  
CORNER  
BLOCK

32pcs

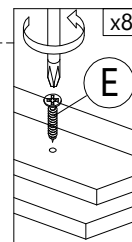
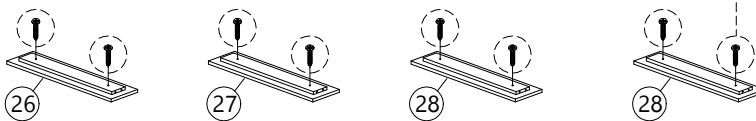
W



PLASTIC  
CORNER  
BLOCK

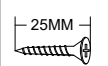
32pcs

# STEP 23



x8

E

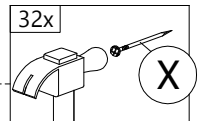
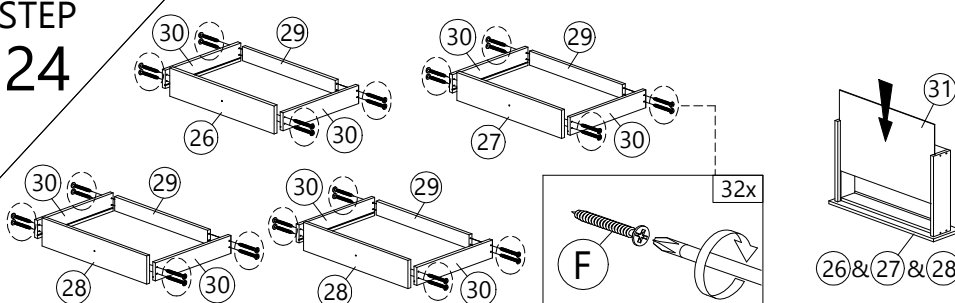


CB SCREW

M4X25

8pcs

# STEP 24



32x

X



CB SCREW

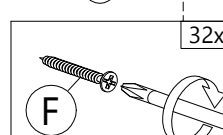
M4x35

32pcs



POWER  
NAIL 5/8"

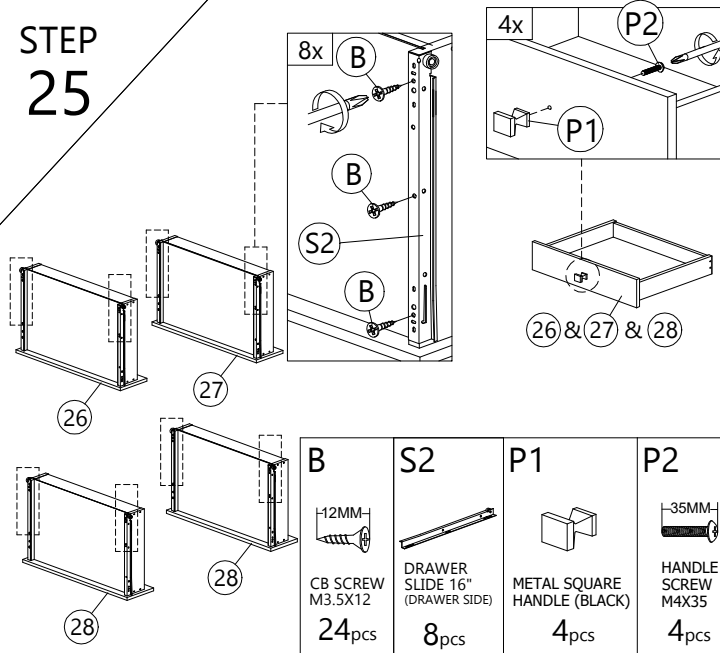
32pcs



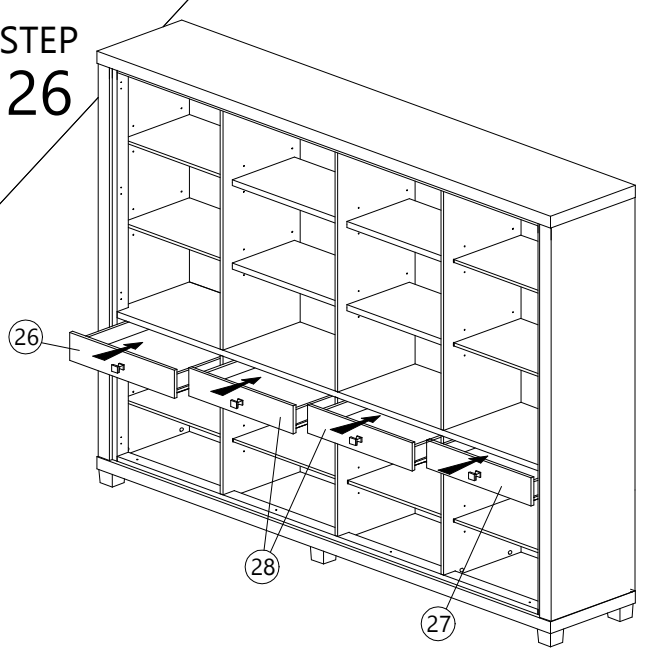
32x

F

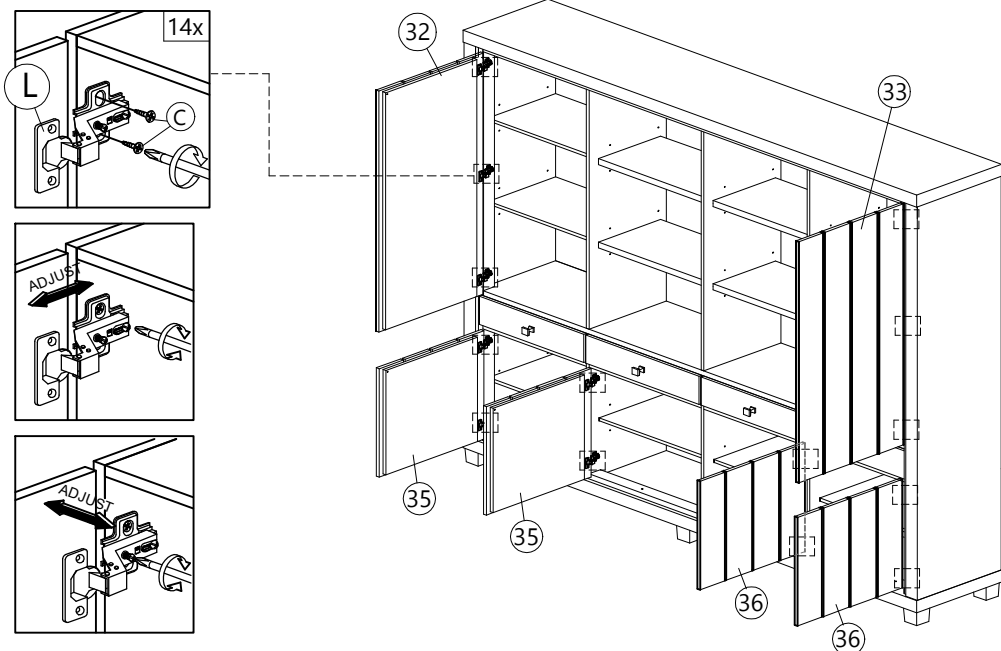
# STEP 25



# STEP 26

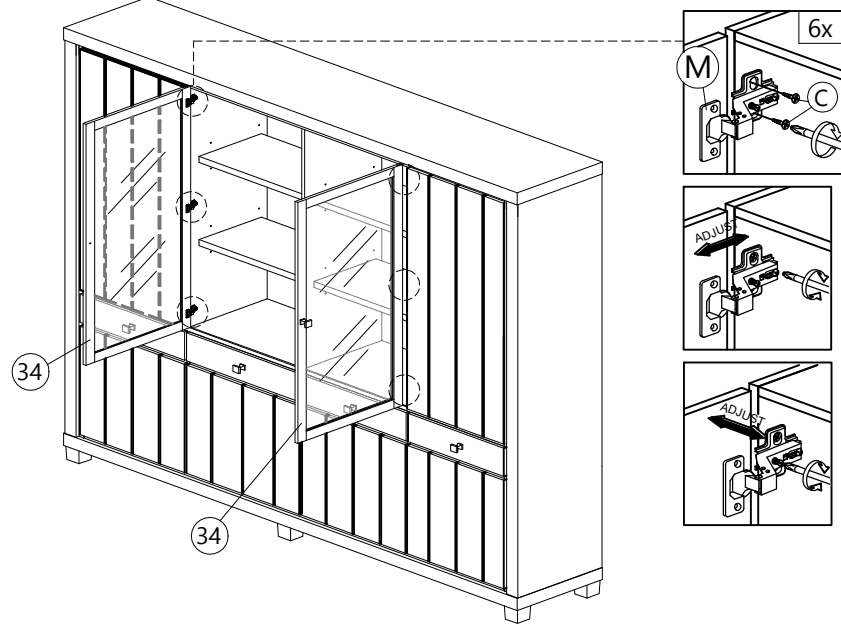


# STEP 27



**C**  
  
 CB SCREW M3.5x16  
 28pcs

# STEP 28



**C**  
  
 CB SCREW M3.5x16  
 12pcs