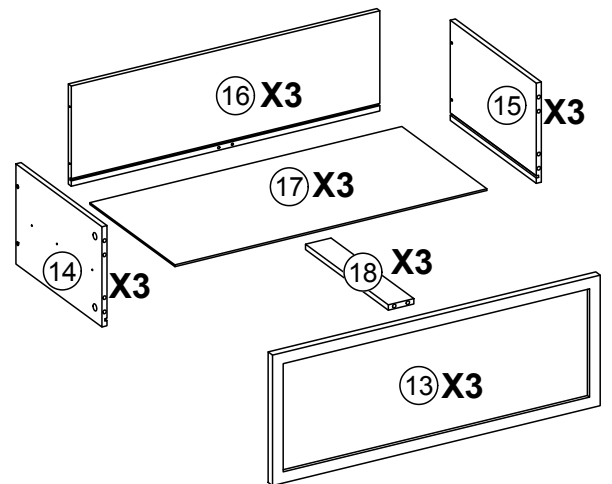
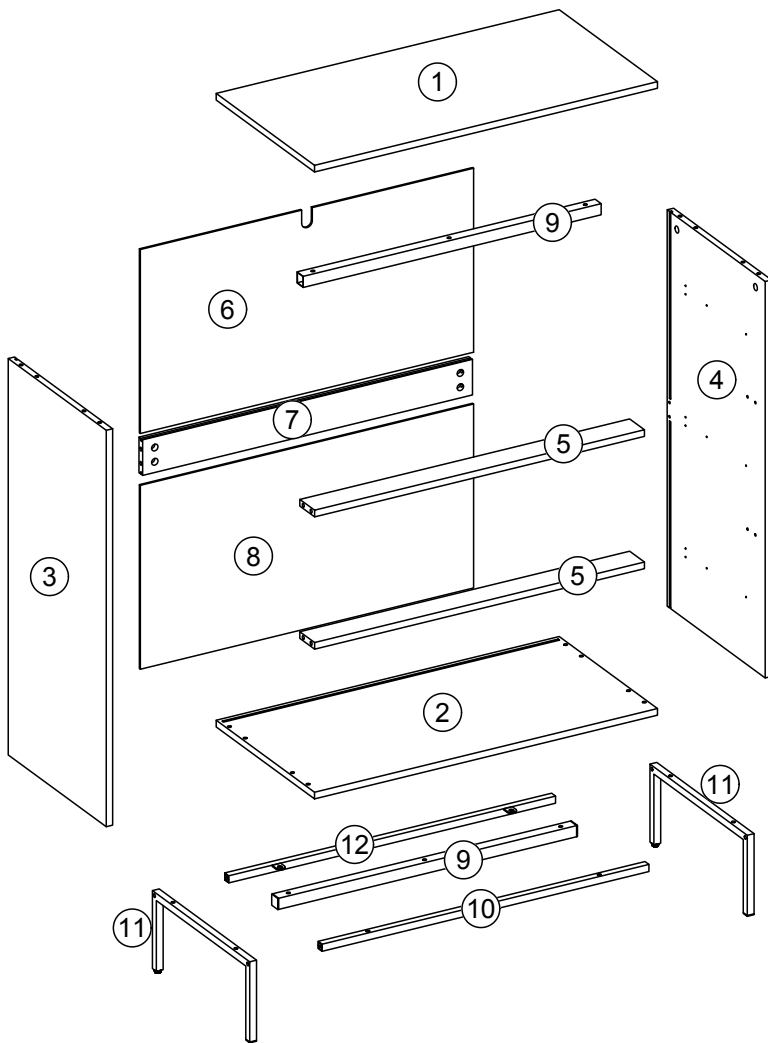
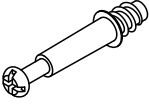
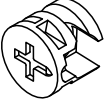
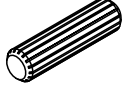


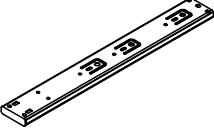

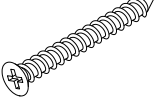
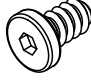
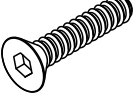
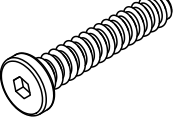
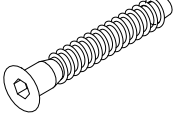
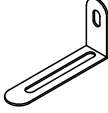
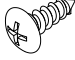
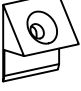
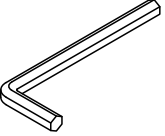
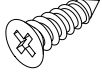


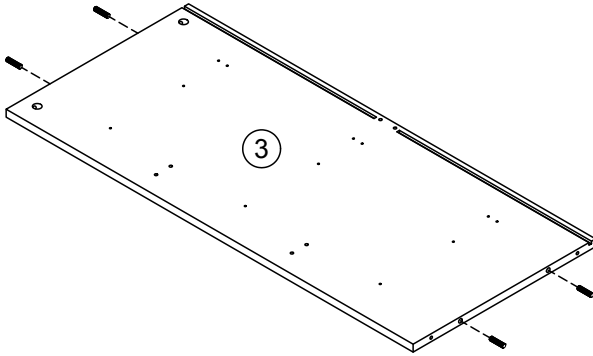
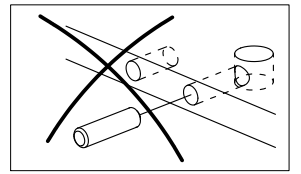
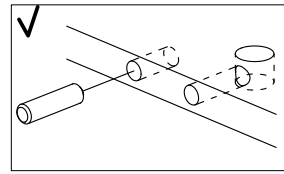
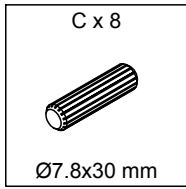
			✓
①	1	806x400x15	
②	1	806x400x15	
③	1	890x399x15	
④	1	890x399x15	
⑤	2	775x60x15	
⑥	1	783x413x4	
⑦	1	775x80x15	
⑧	1	783x413x4	
⑨	2	704x25x25	

			✓
⑩	1	768x16x16	
⑪	2	396x182x16	
⑫	1	768x41x16	
⑬	3	770x293x18	
⑭	3	350x225x12	
⑮	3	350x225x12	
⑯	3	725x225x12	
⑰	3	733x346x4	
⑱	3	338.5x60x12	

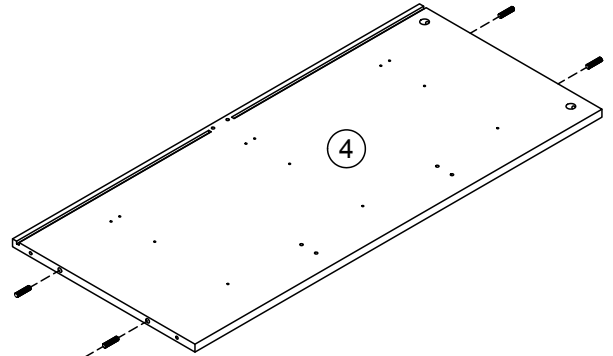


<p>A x 34</p>  <p>Ø6x35 mm</p>	<p>B x 16</p>  <p>Ø15x12 mm</p>	<p>C x 20</p>  <p>Ø7.8x30 mm</p>	<p>D x 18</p>  <p>Ø15x9 mm</p>	<p>E x 48</p>  <p>Ø3.5x12 mm</p>
<p>F x 6</p>  <p>350 mm</p>	<p>G x 12</p>  <p>Ø20 mm</p>	<p>H x 18</p>  <p>Ø3.5x35 mm</p>	<p>J x 2</p>  <p>M6x12 mm</p>	<p>K x 10</p>  <p>M6x28 mm</p>
<p>L x 6</p>  <p>M6x32 mm</p>	<p>M x 4</p>  <p>Ø7x48 mm</p>	<p>N x 1</p>  <p>75x25x15 mm</p>	<p>P x 2</p>  <p>Ø4x14 mm</p>	<p>Q x 8</p>  <p>15x14x10 mm</p>
<p>R x 1</p>  <p>4 mm</p>	<p>S x 8</p>  <p>Ø3.5x14 mm</p>			

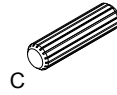
# 1



3

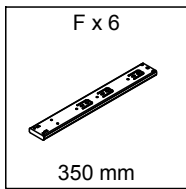


4

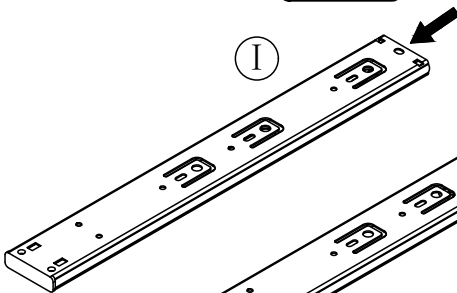


C

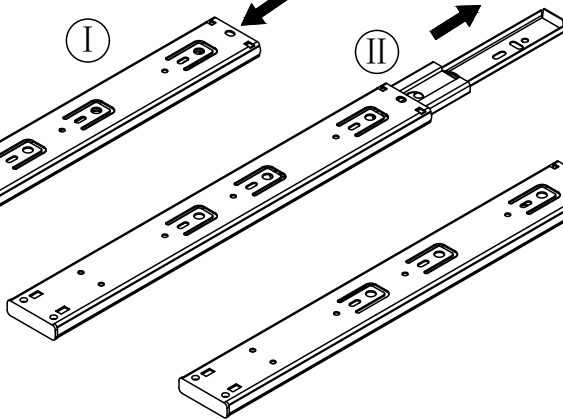
# 2



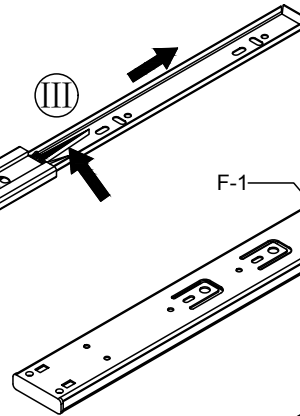
$F = F1 + F2$



I



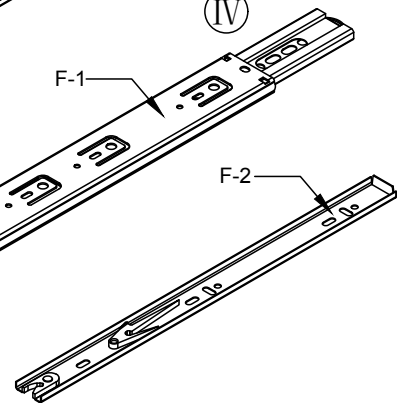
II



III


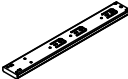
F-1

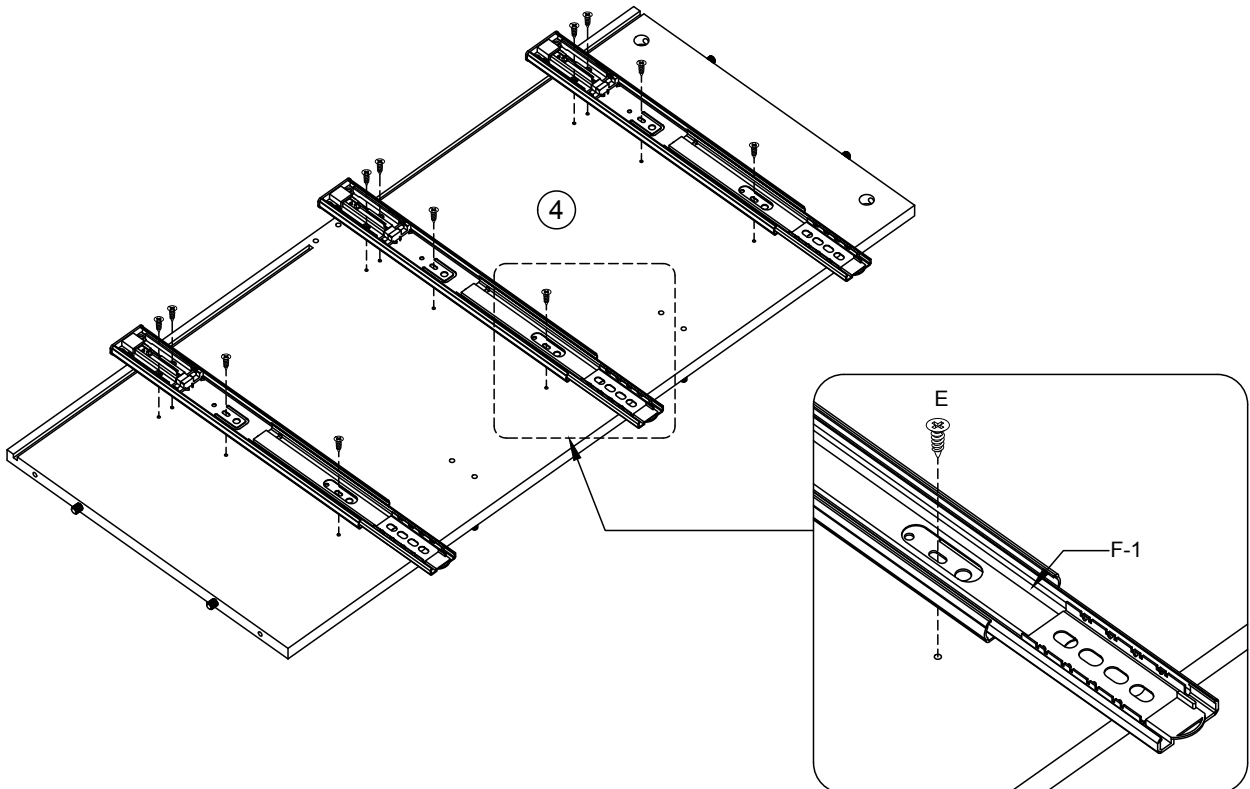
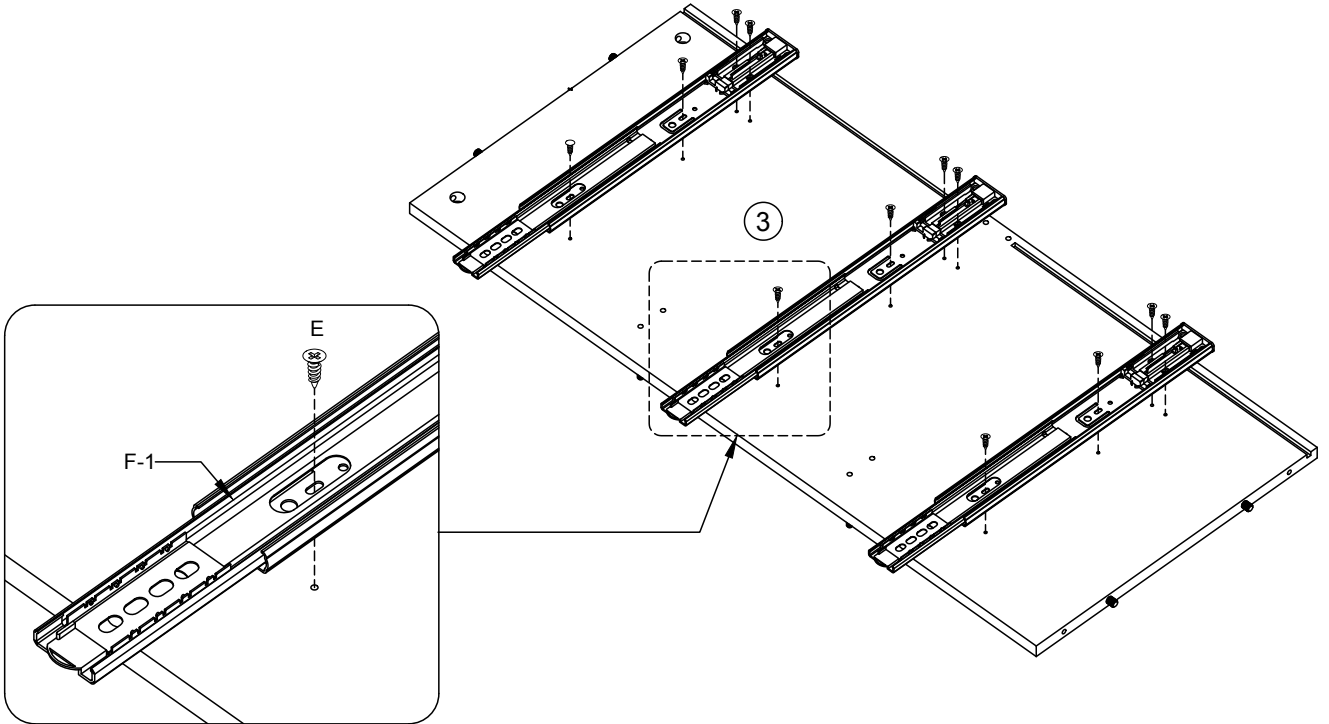
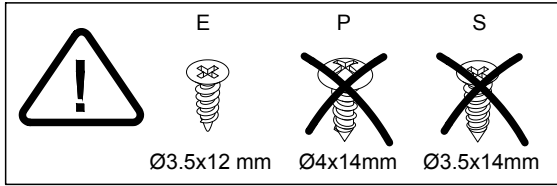
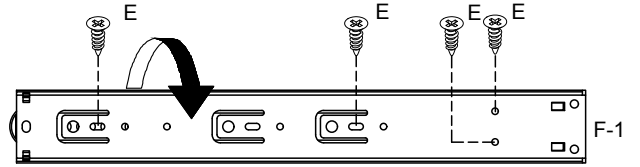
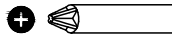
IV



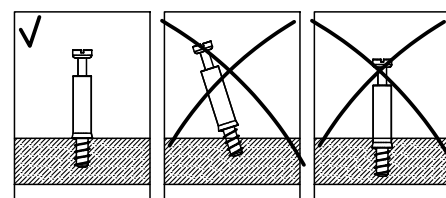
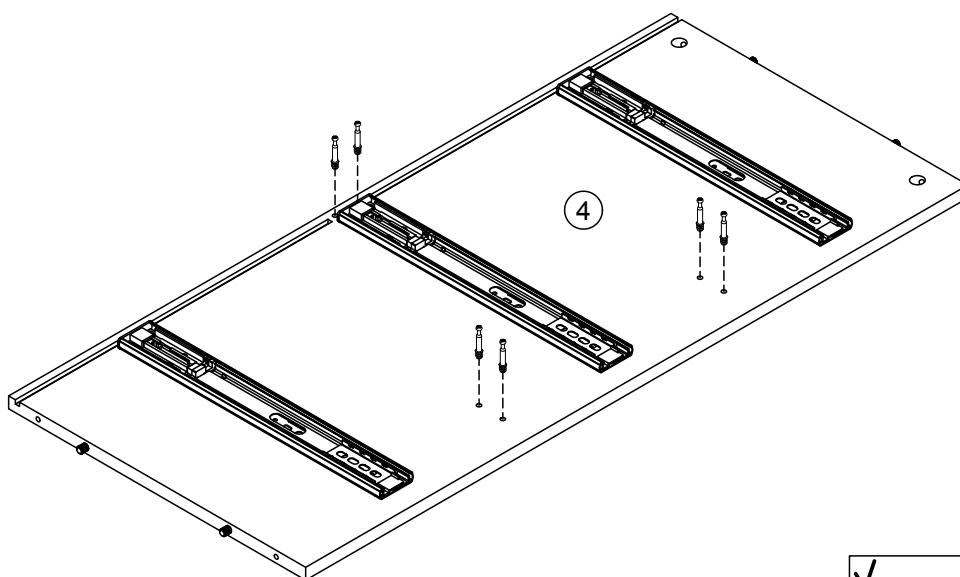
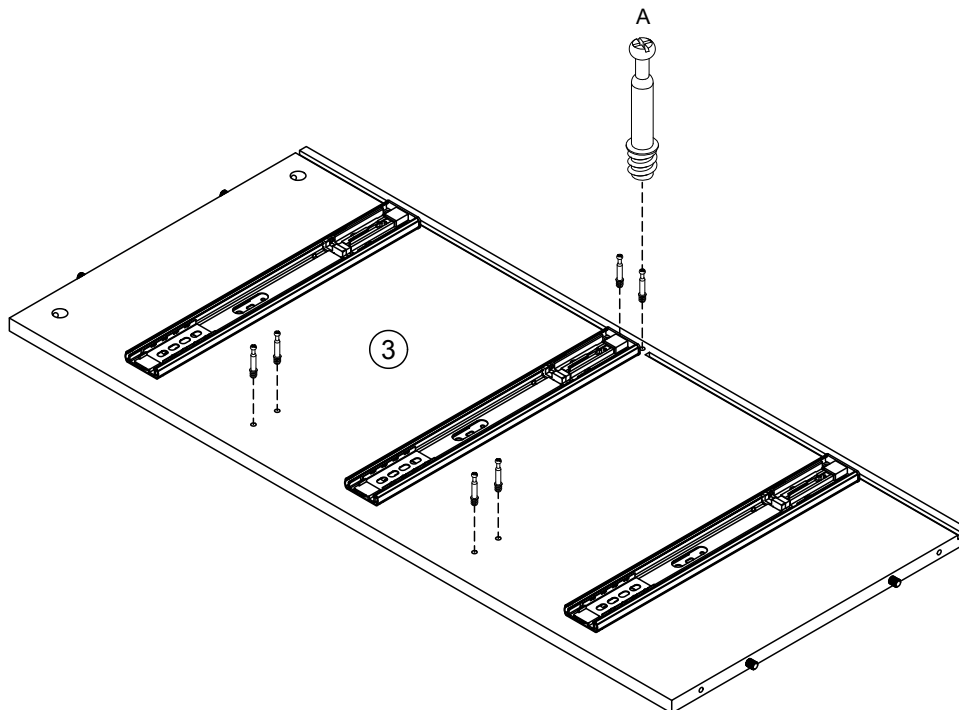
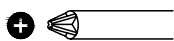
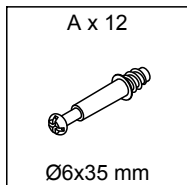
F-2

# 3

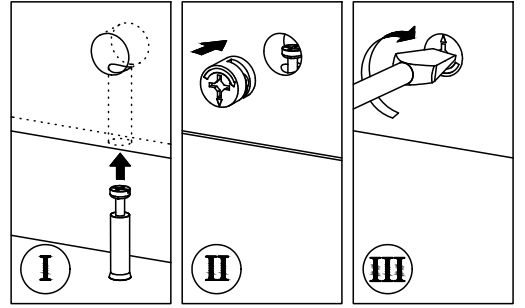
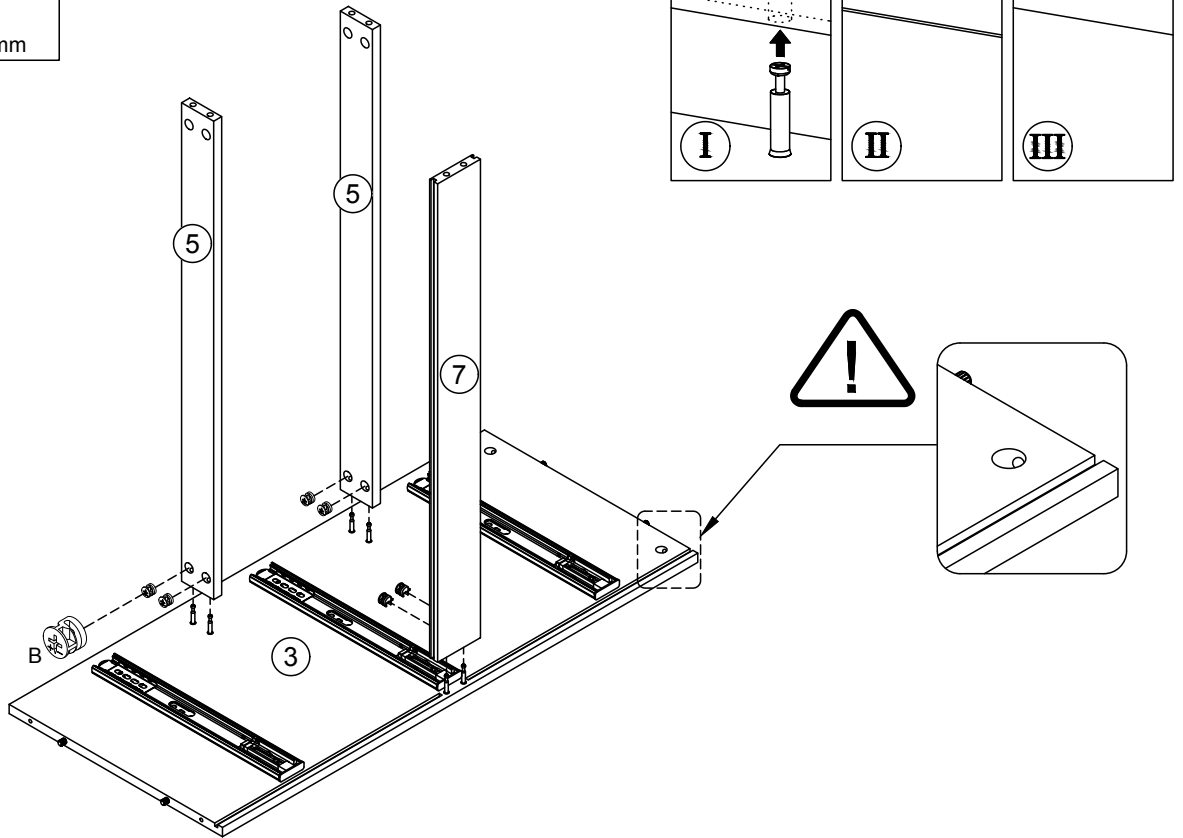
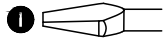
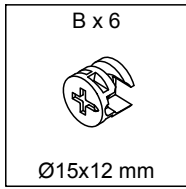
E x 24  Ø3.5x12 mm	F-1 x 6  350 mm
---	--



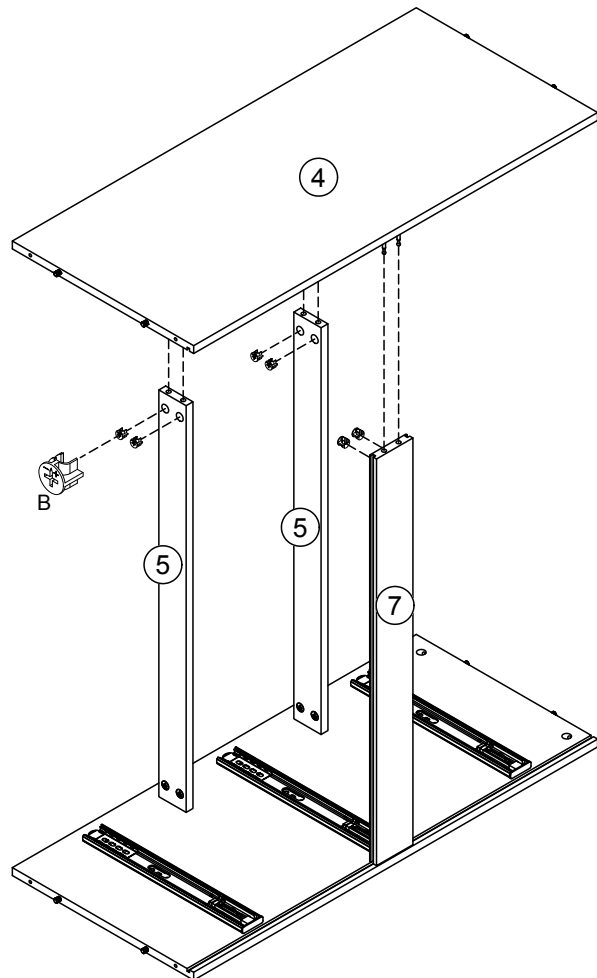
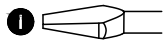
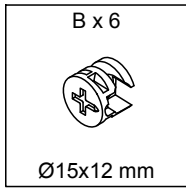
# 4



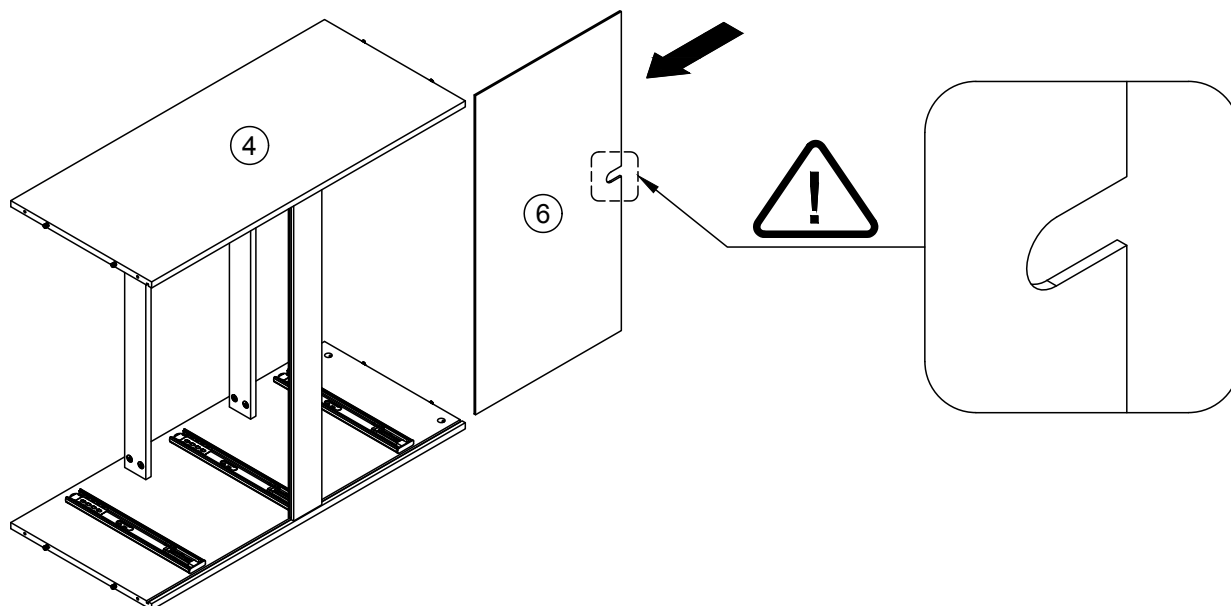
# 5



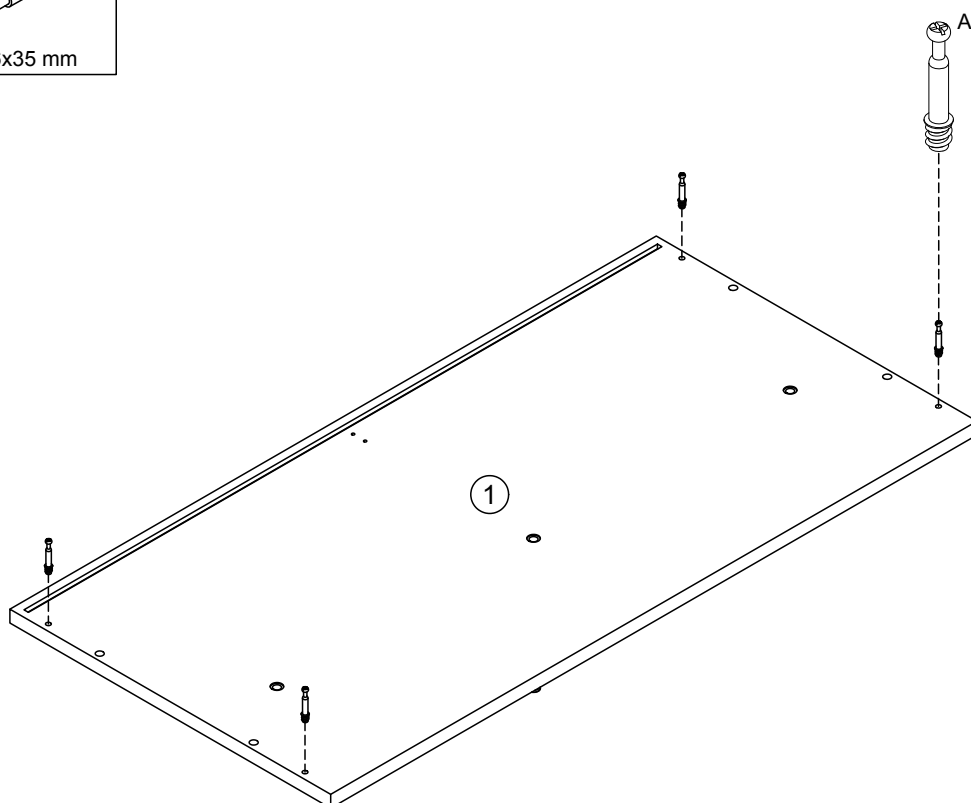
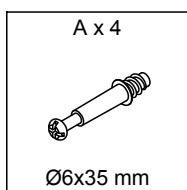
# 6



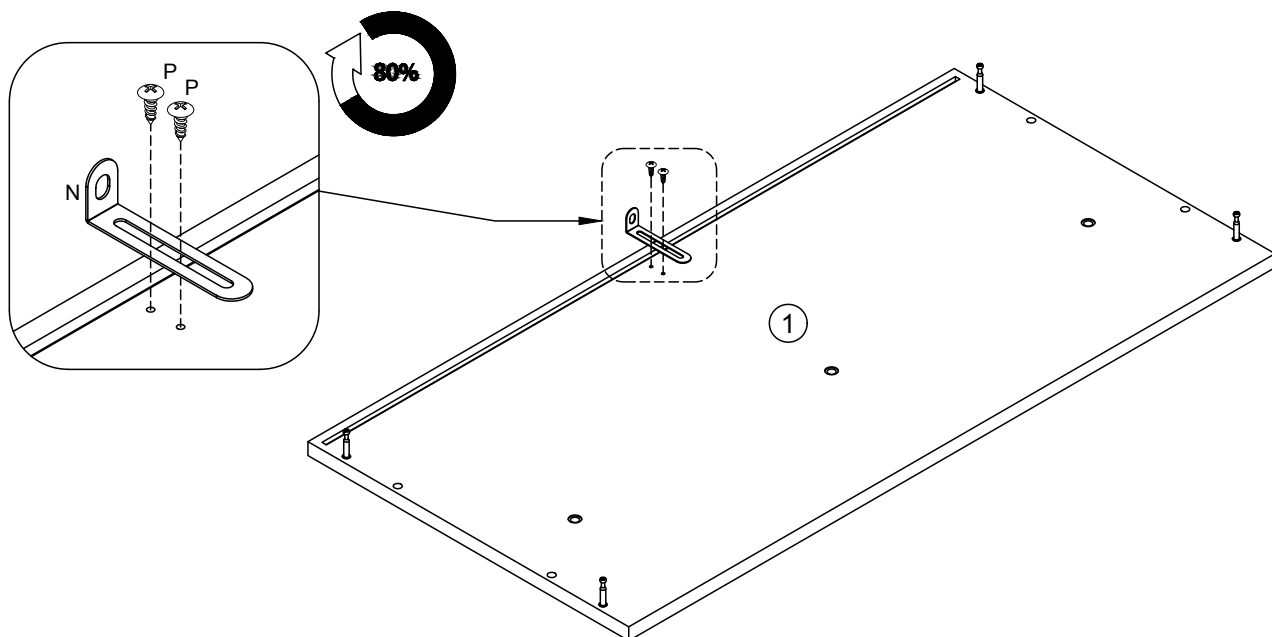
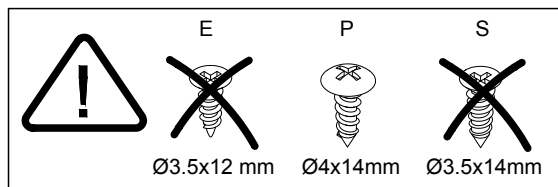
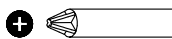
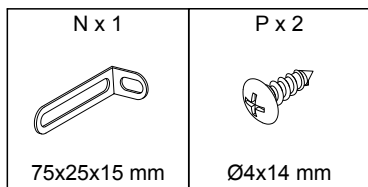
# 7



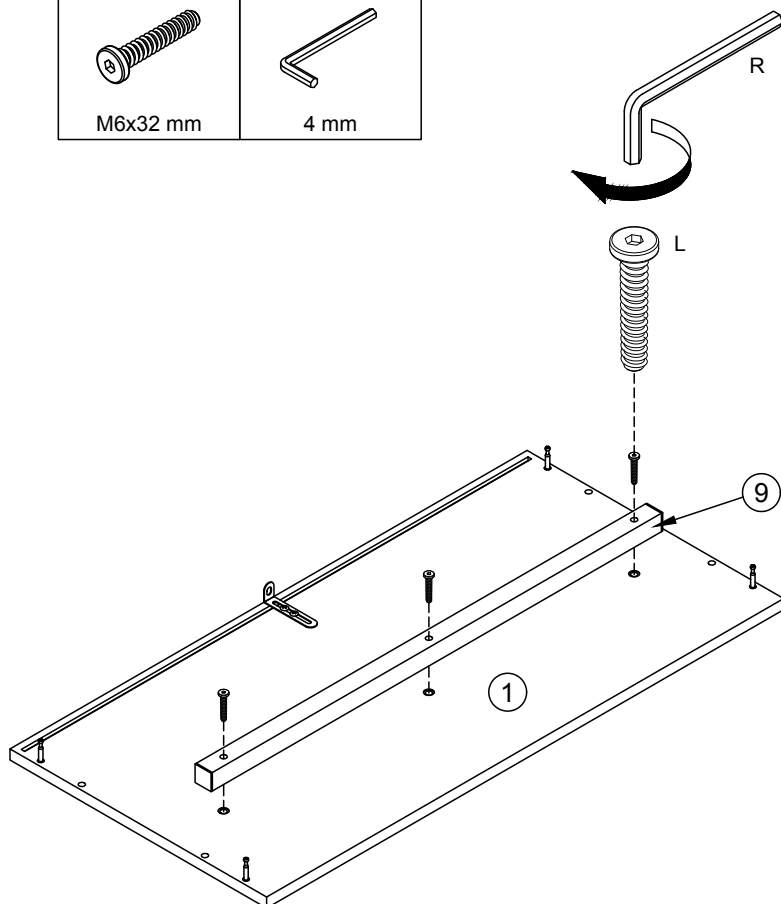
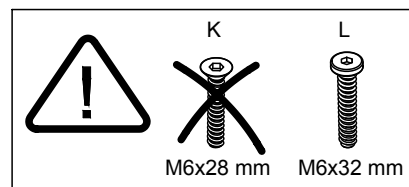
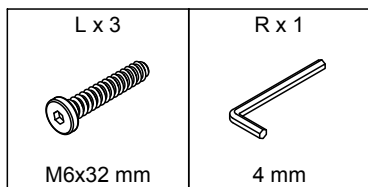
# 8



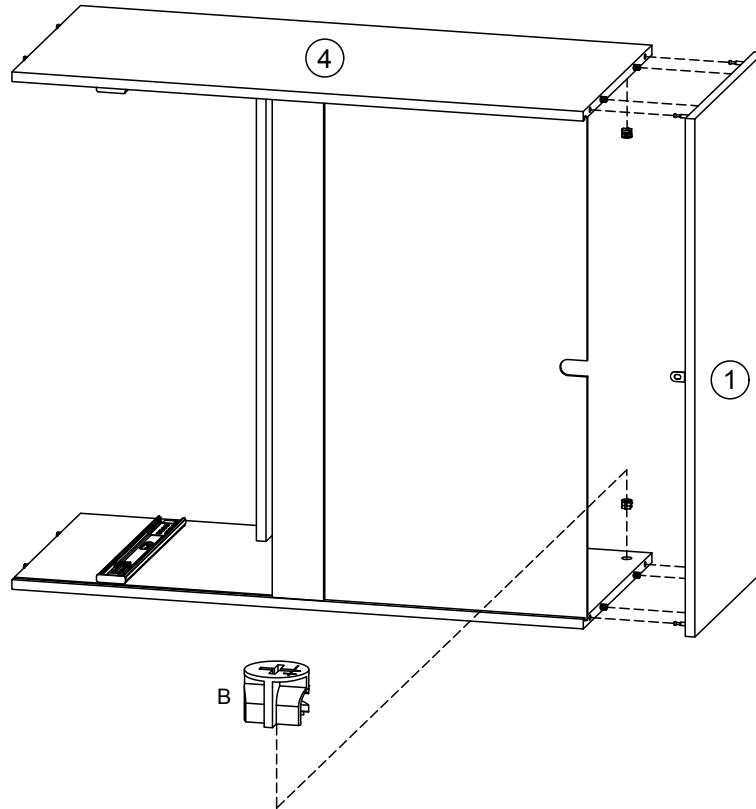
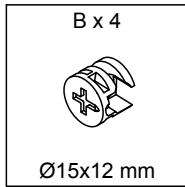
# 9



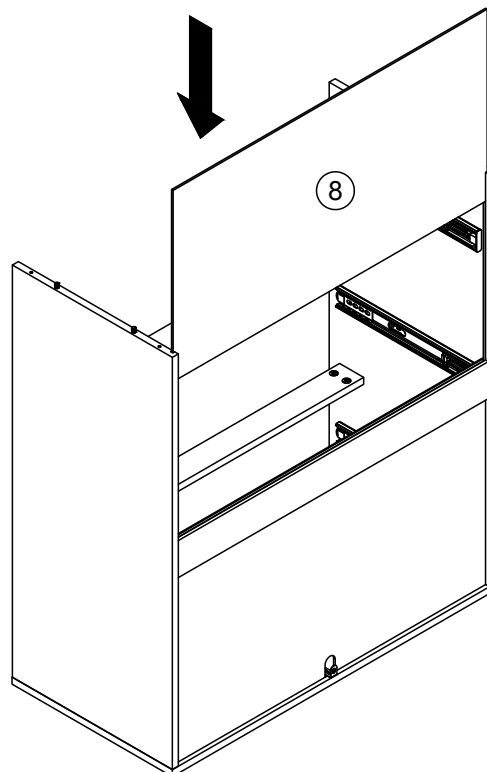
# 10



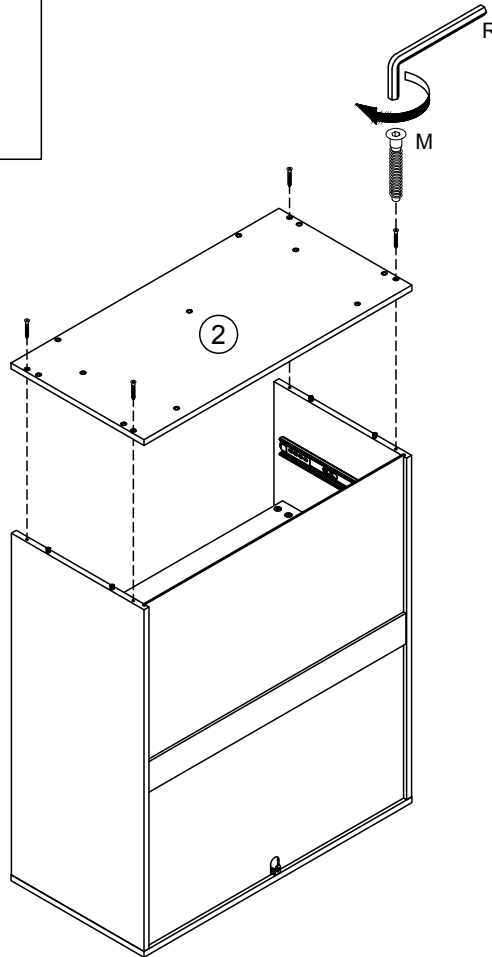
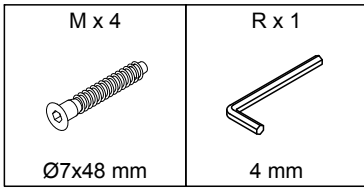
# 11



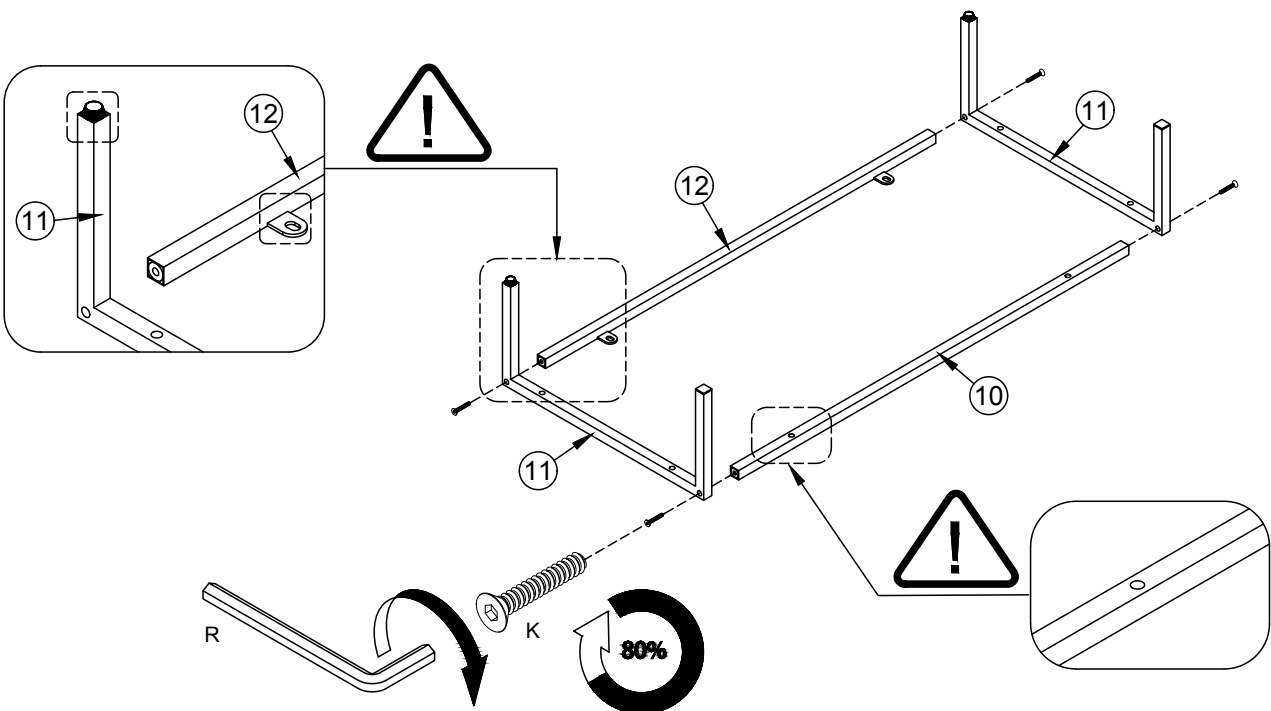
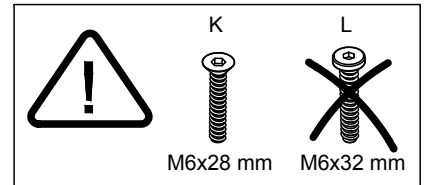
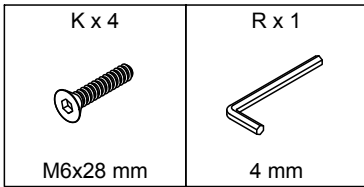
# 12





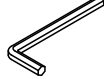
# 13

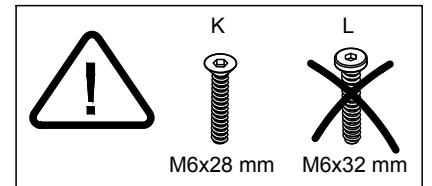
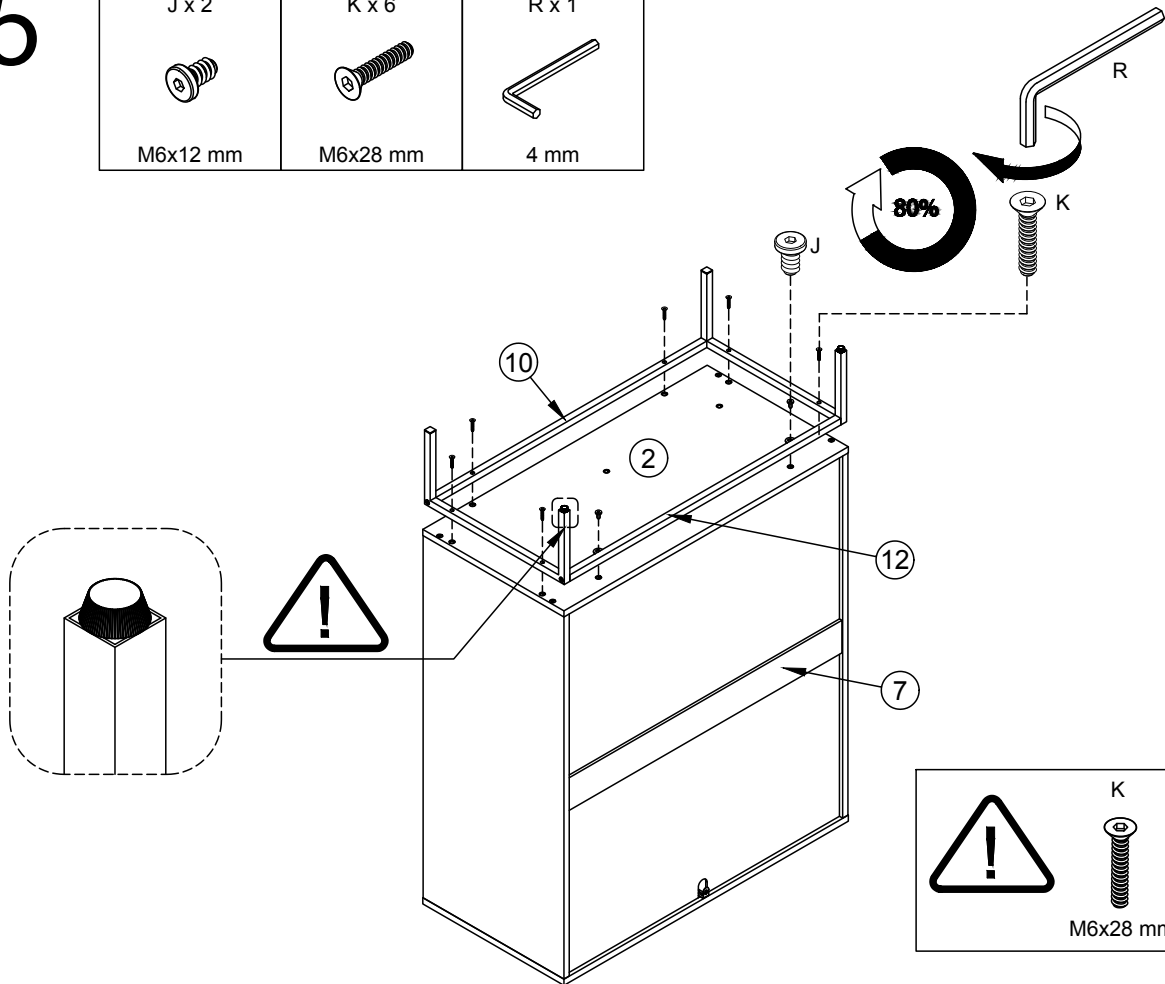


# 14


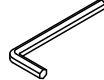


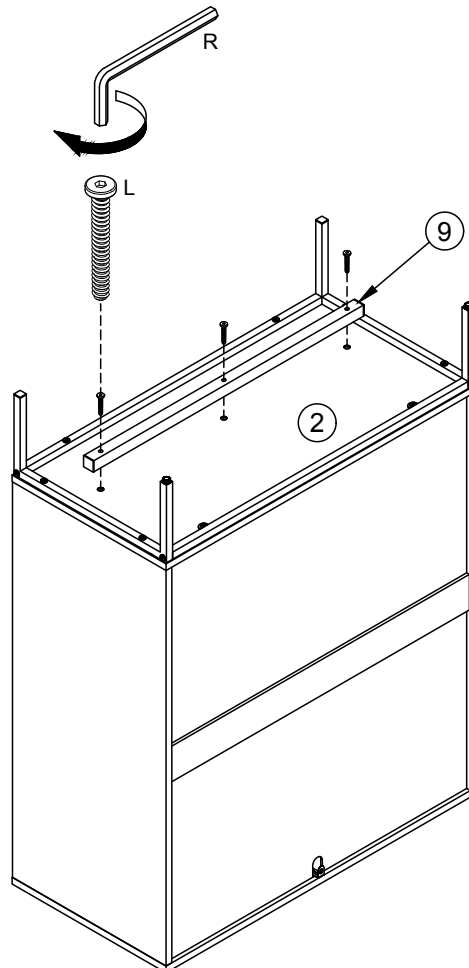
# 15

J x 2  M6x12 mm	K x 6  M6x28 mm	R x 1  4 mm
--	--	--

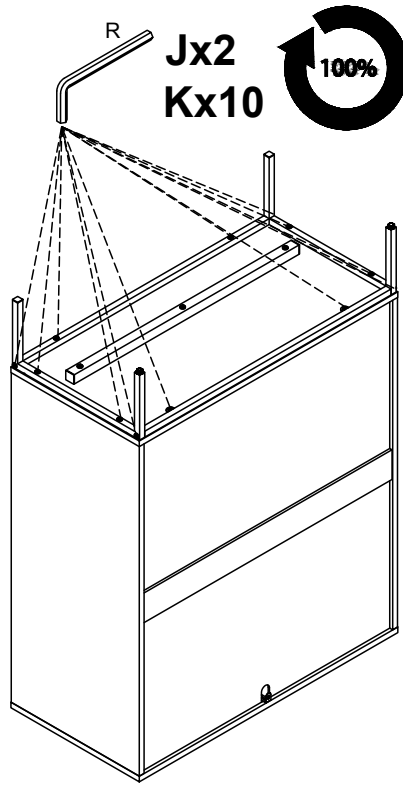
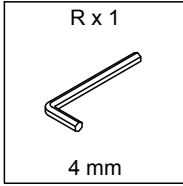


# 16

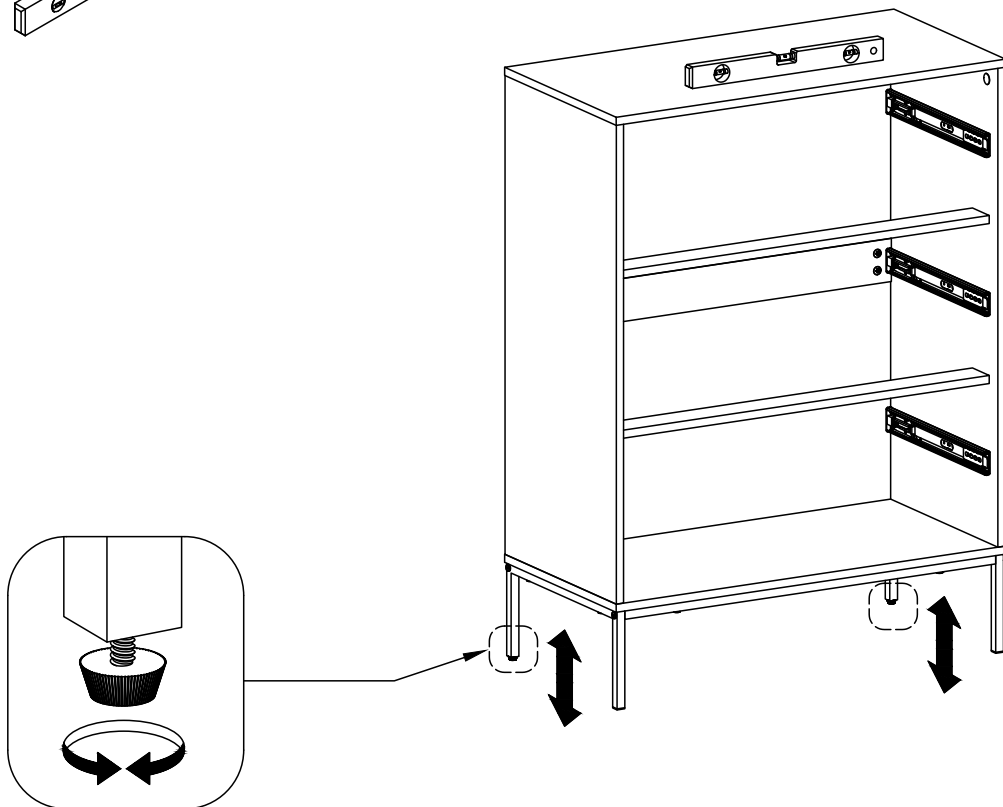
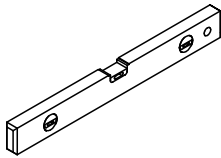
L x 3  M6x32 mm	R x 1  4 mm
--	--



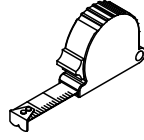
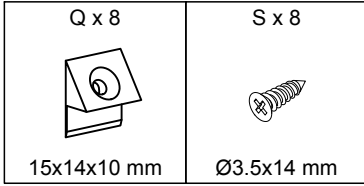
# 17



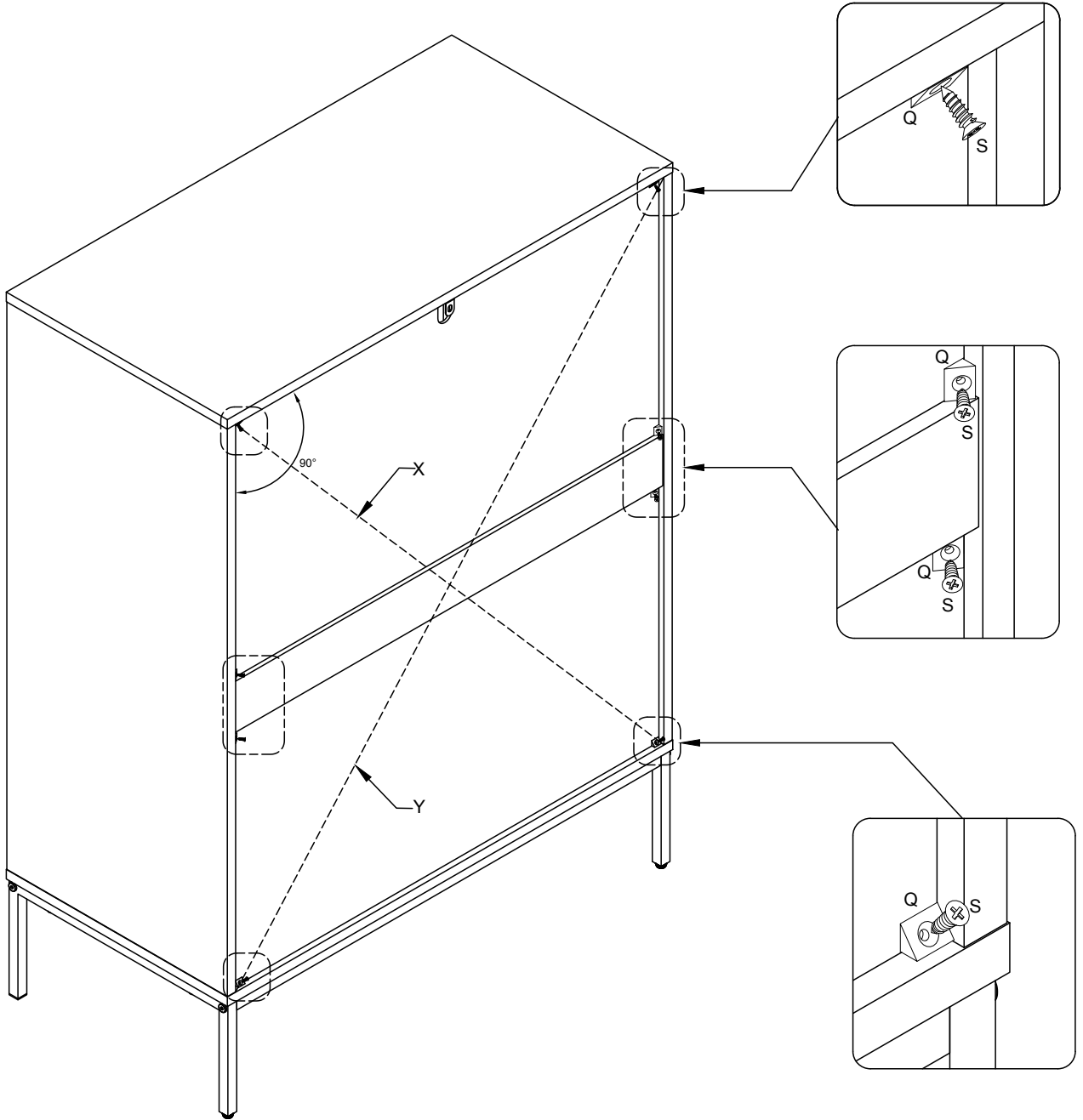
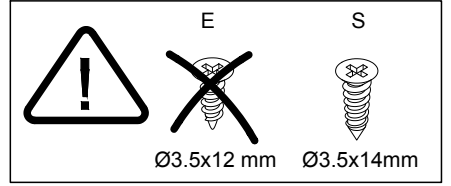
# 18



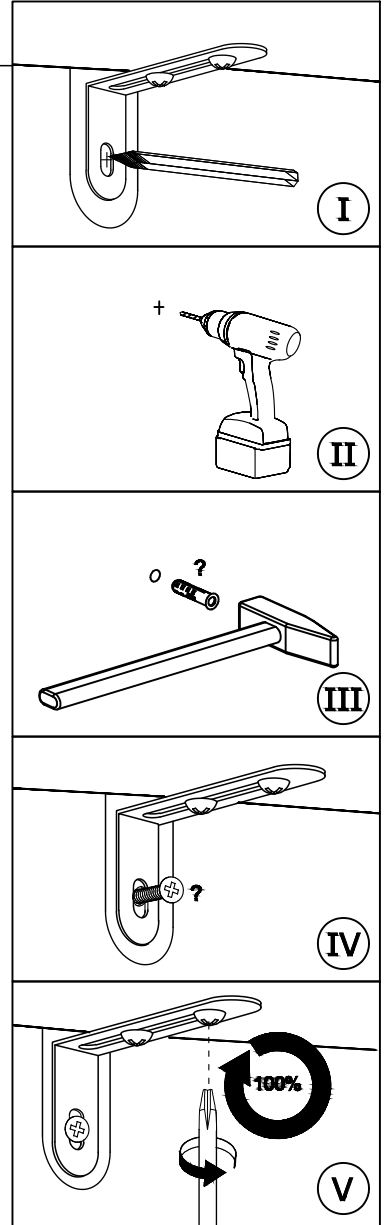
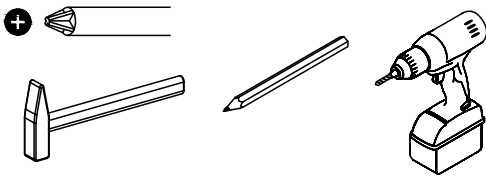
# 19



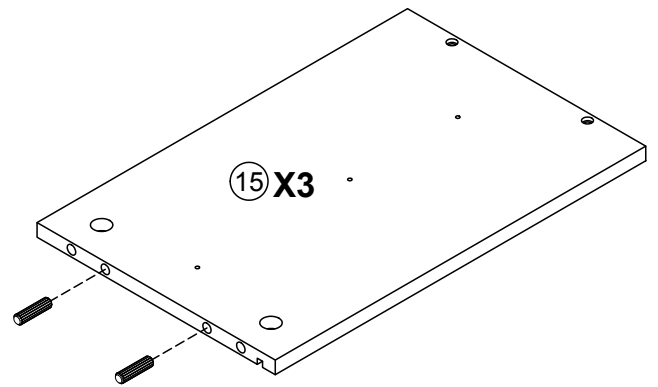
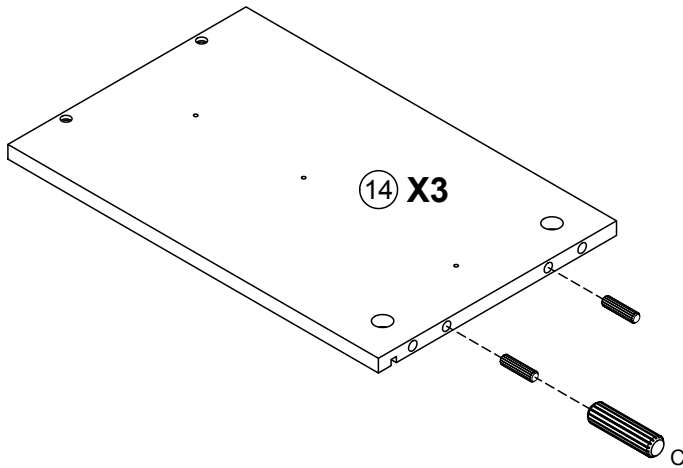
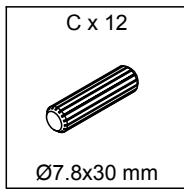
**X=Y**



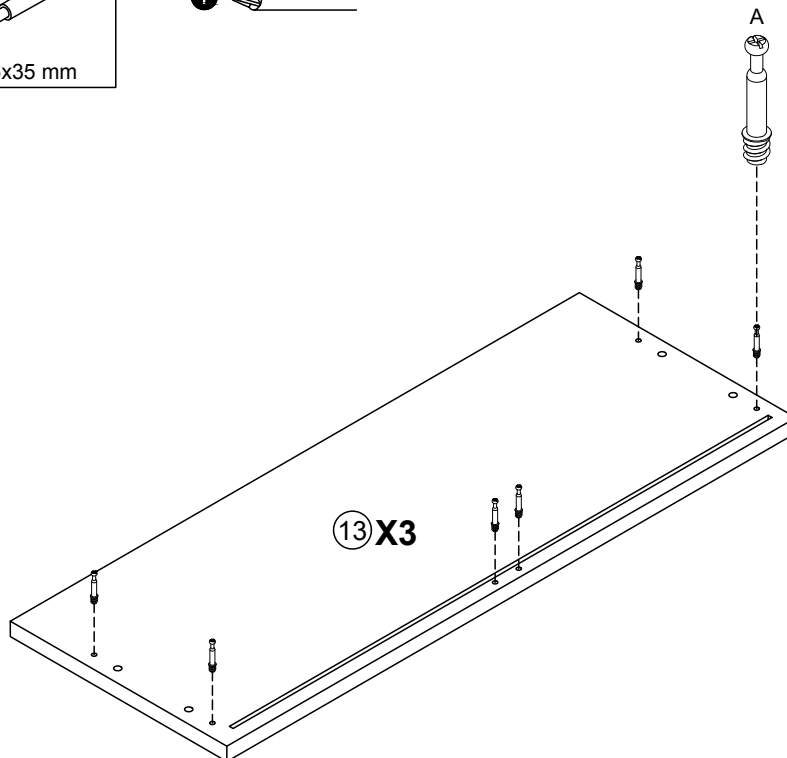
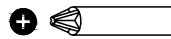
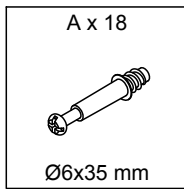
# 20



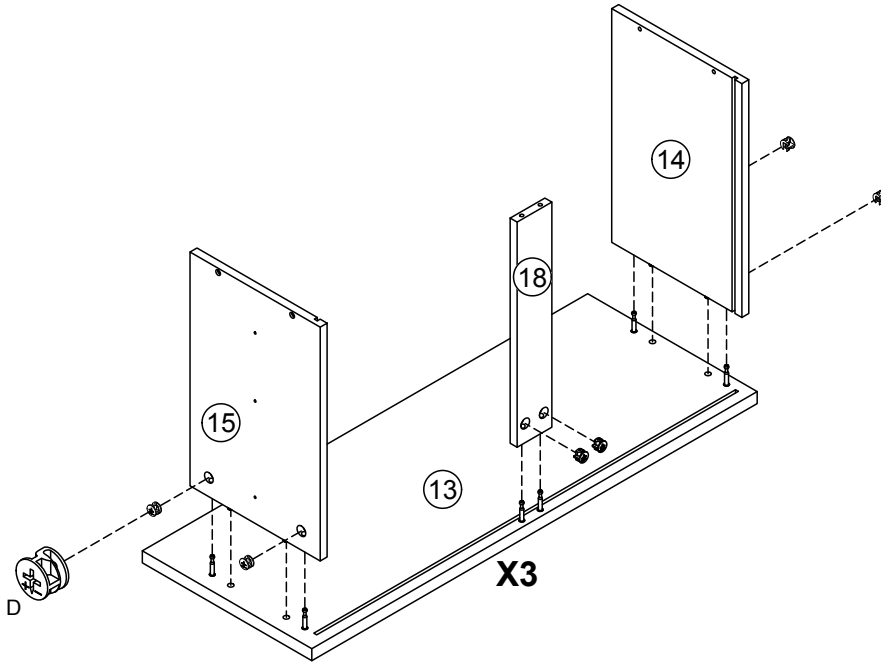
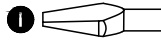
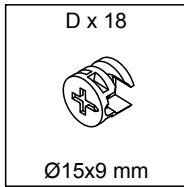
# 21



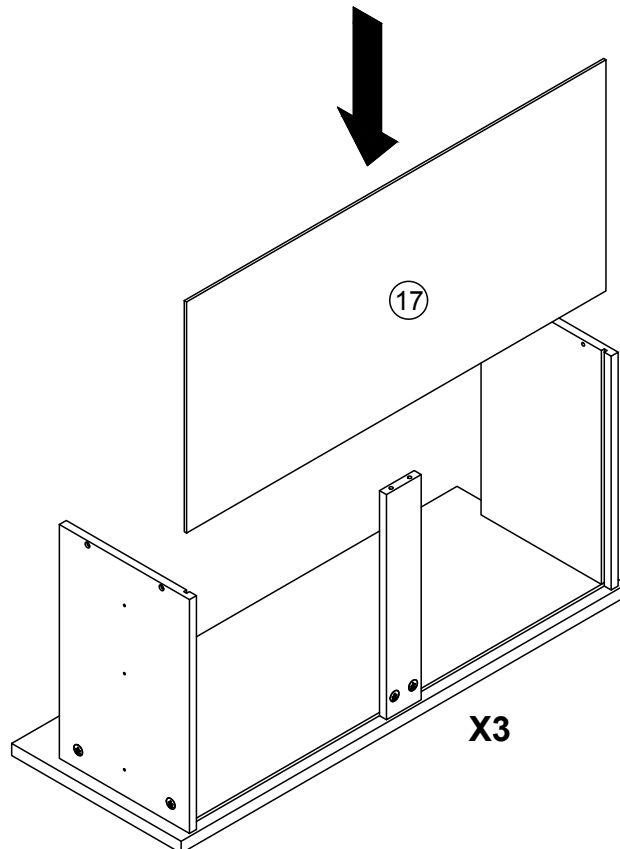
# 22



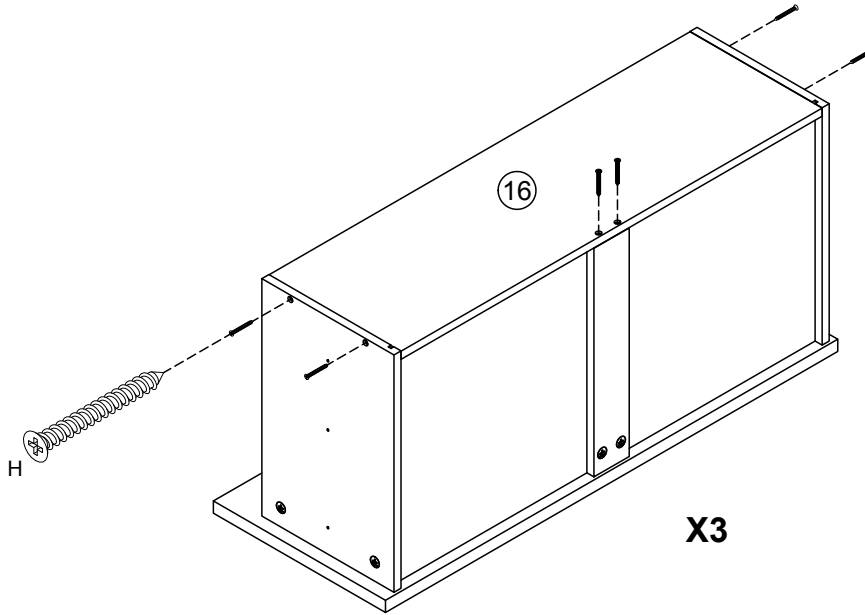
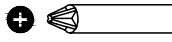
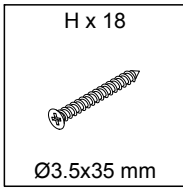
# 23



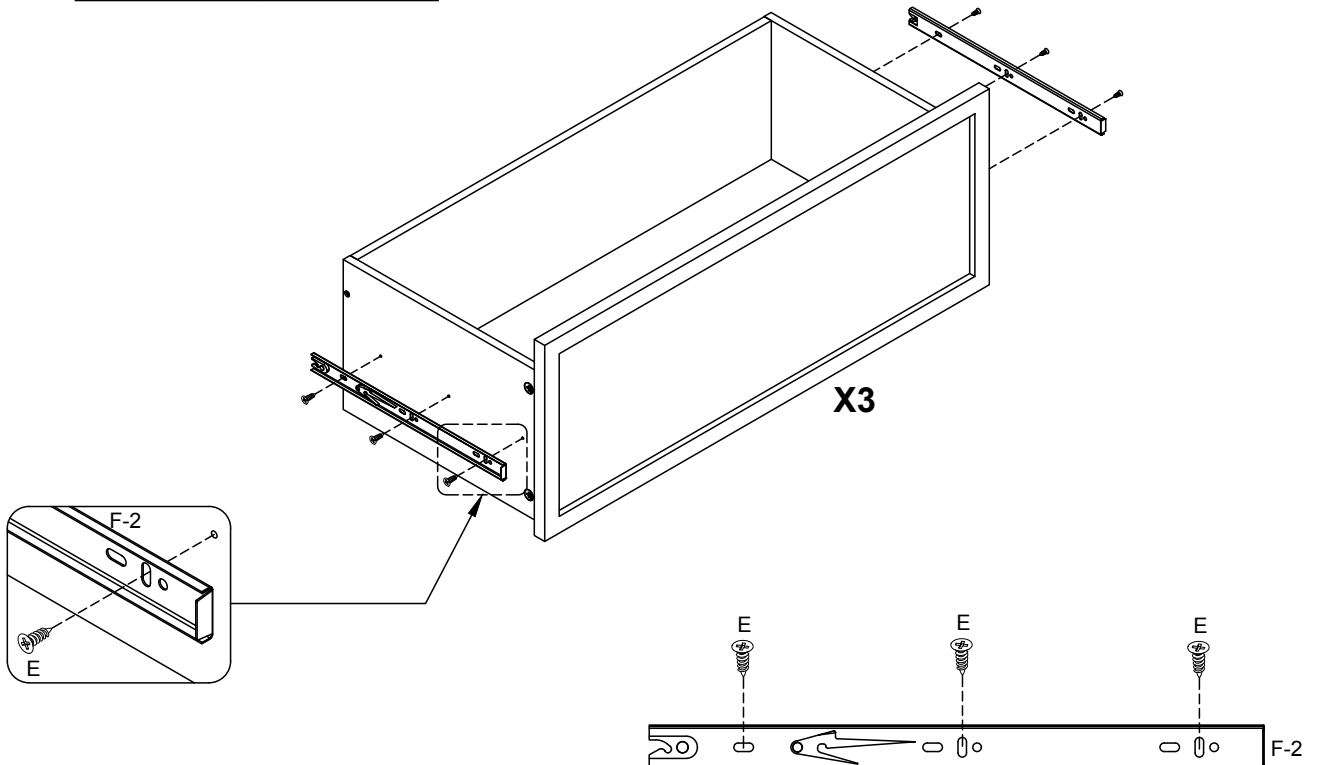
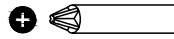
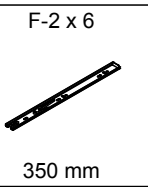
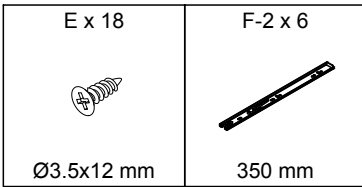
# 24



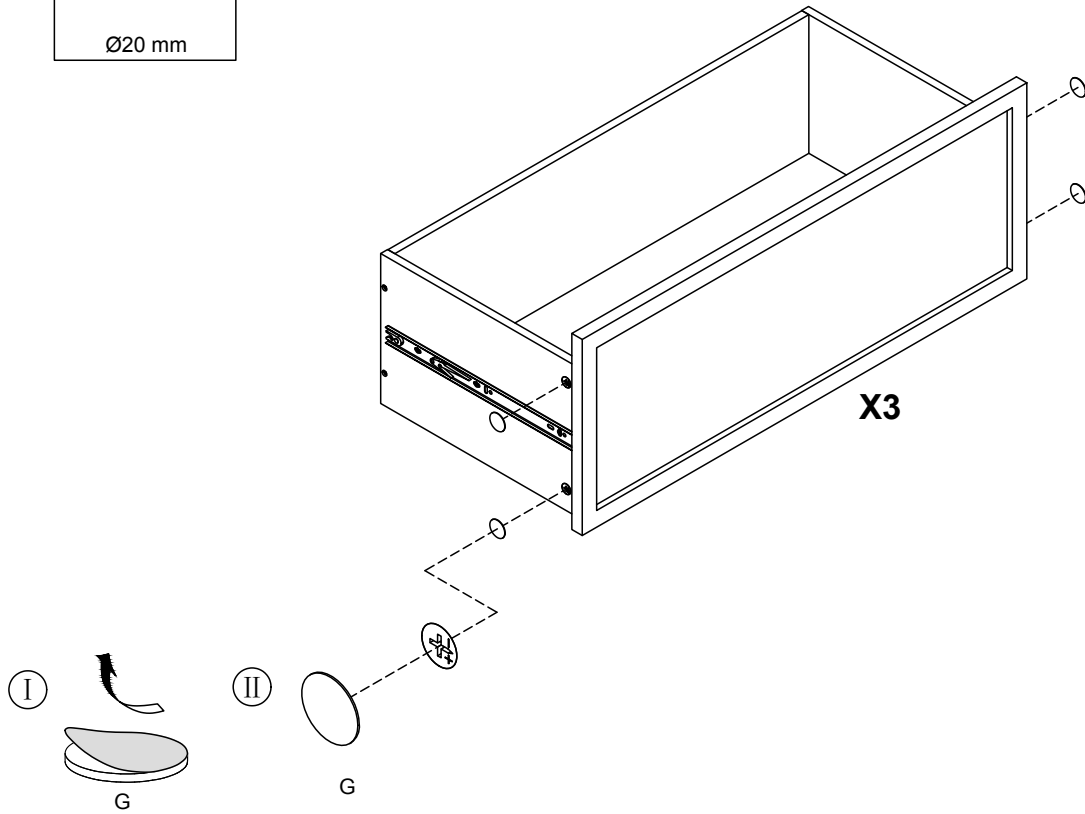
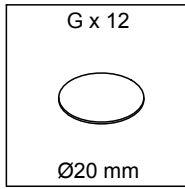
# 25



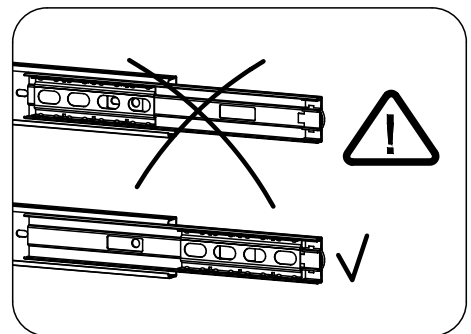
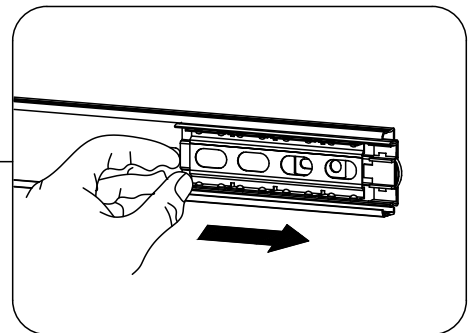
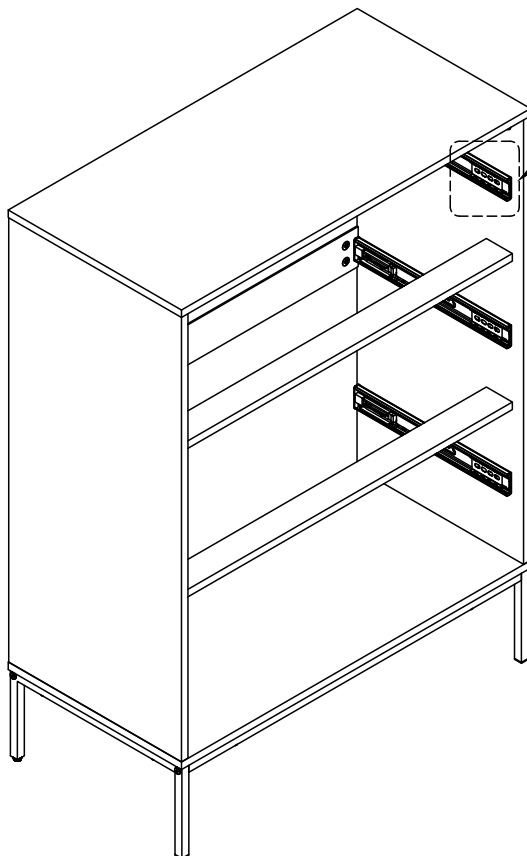
# 26



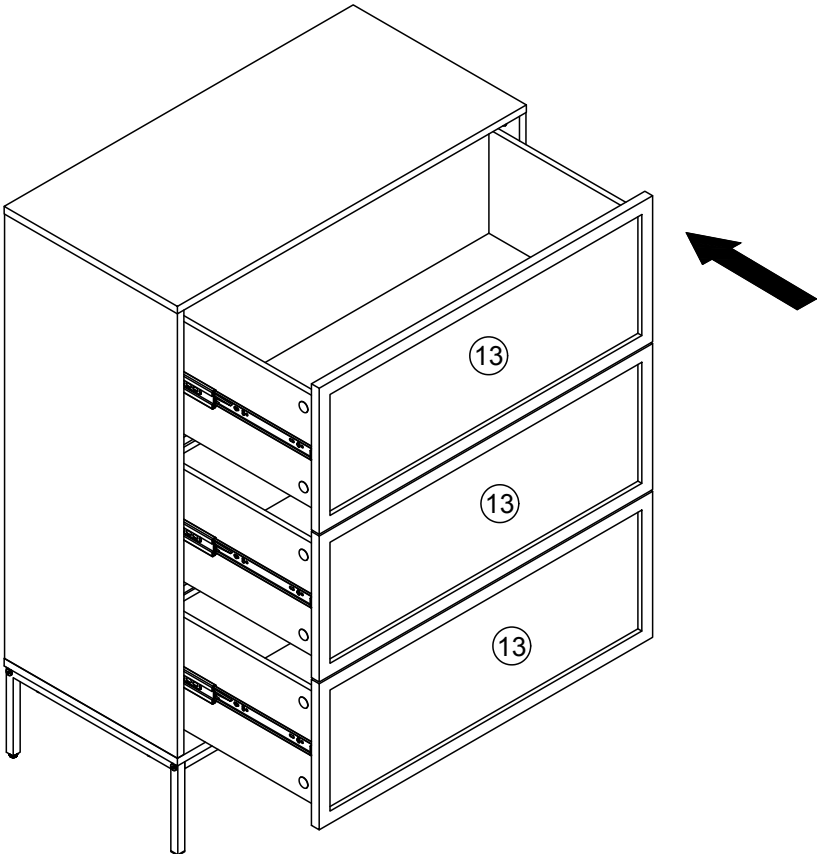
# 27



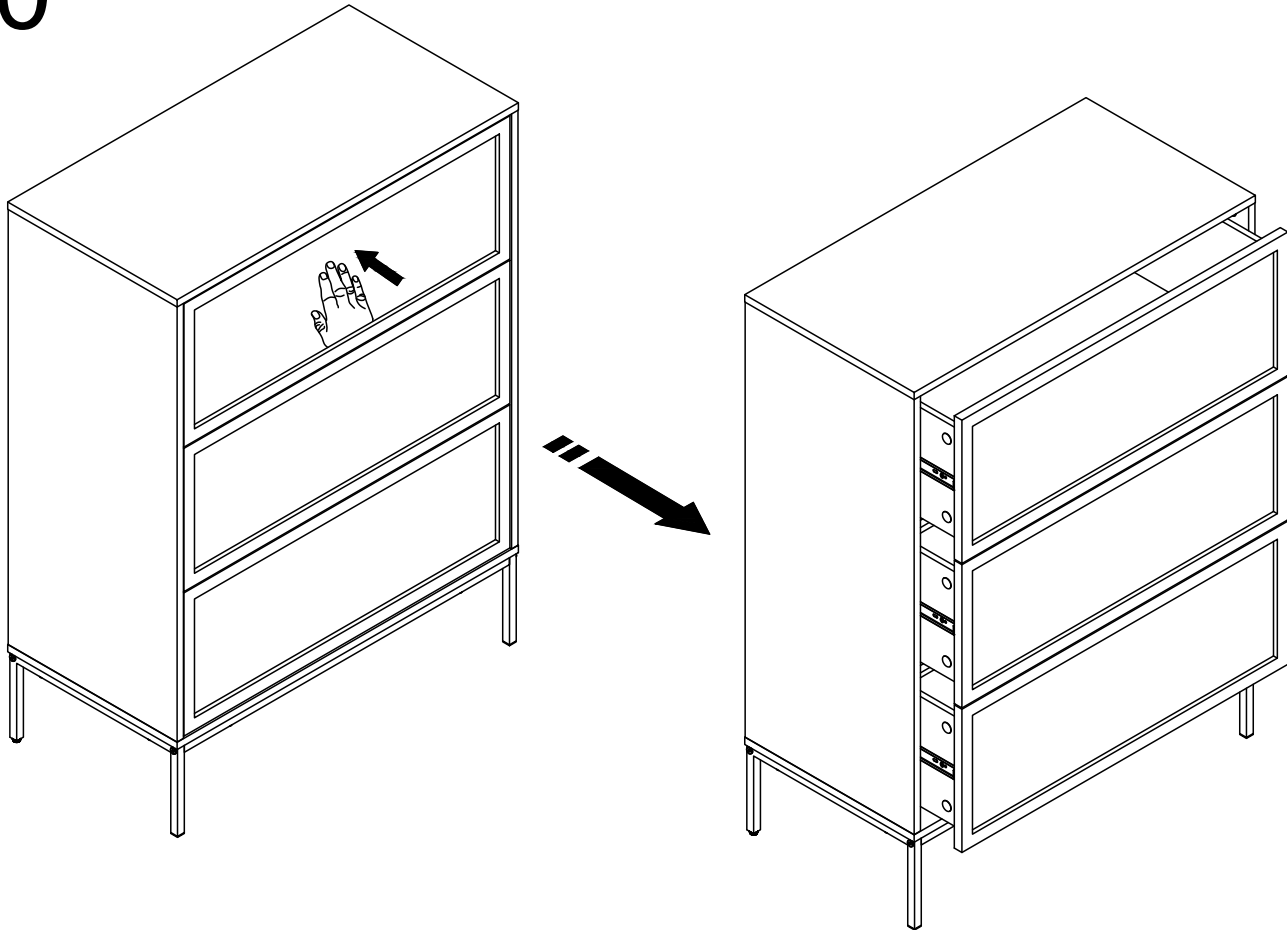
# 28



29



30



# 31

