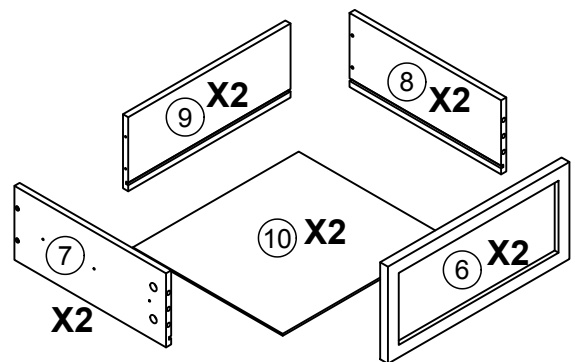
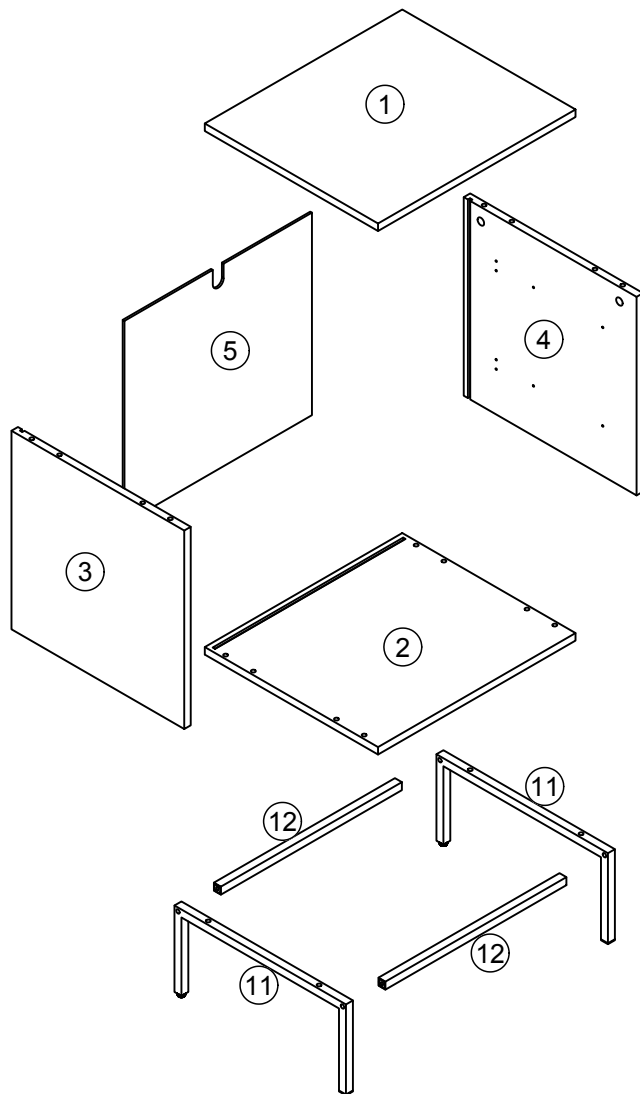
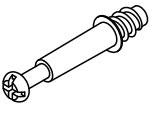

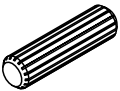
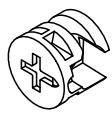

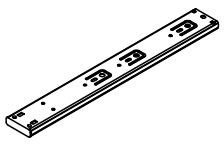

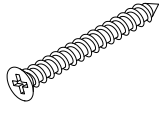
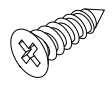
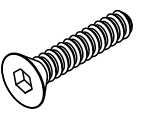
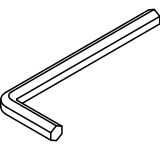
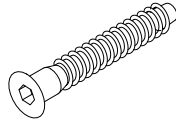
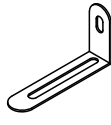
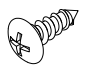



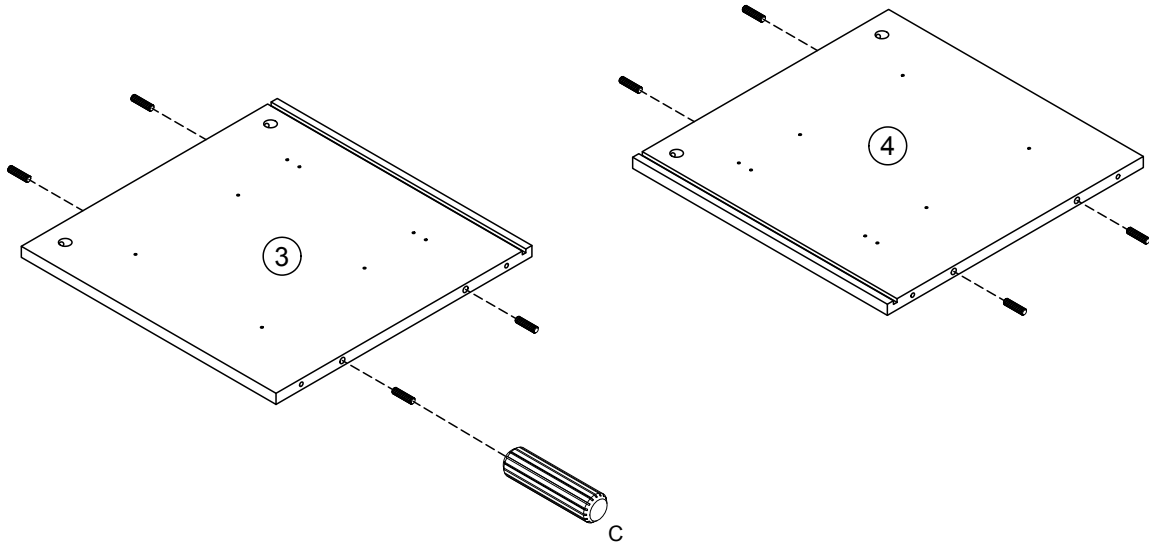
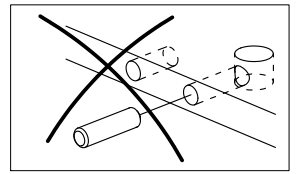
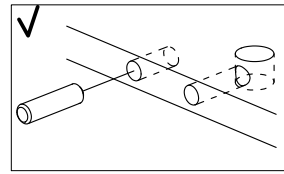
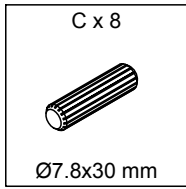
			✓
①	1	456x400x15	
②	1	456x400x15	
③	1	399x397x15	
④	1	399x397x15	
⑤	1	433x405x4	
⑥	2	419x194x18	

			✓
⑦	2	350x148x12	
⑧	2	350x148x12	
⑨	2	375x148x12	
⑩	2	383x346x4	
⑪	2	396x182x16	
⑫	2	418x16x16	

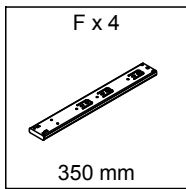


<p>A x 12</p>  <p>Ø6x35 mm</p>	<p>B x 4</p>  <p>Ø15x12 mm</p>	<p>C x 12</p>  <p>Ø7.8x30 mm</p>	<p>D x 8</p>  <p>Ø15x9 mm</p>	<p>E x 32</p>  <p>Ø3.5x12 mm</p>
<p>F x 4</p>  <p>350 mm</p>	<p>G x 8</p>  <p>Ø20 mm</p>	<p>H x 8</p>  <p>Ø3.5x35 mm</p>	<p>J x 4</p>  <p>Ø3.5x14 mm</p>	<p>K x 8</p>  <p>M6x28 mm</p>
<p>L x 1</p>  <p>4 mm</p>	<p>M x 4</p>  <p>Ø7x48 mm</p>	<p>N x 1</p>  <p>75x25x15 mm</p>	<p>P x 2</p>  <p>Ø4x14 mm</p>	<p>Q x 4</p>  <p>15x14x10 mm</p>

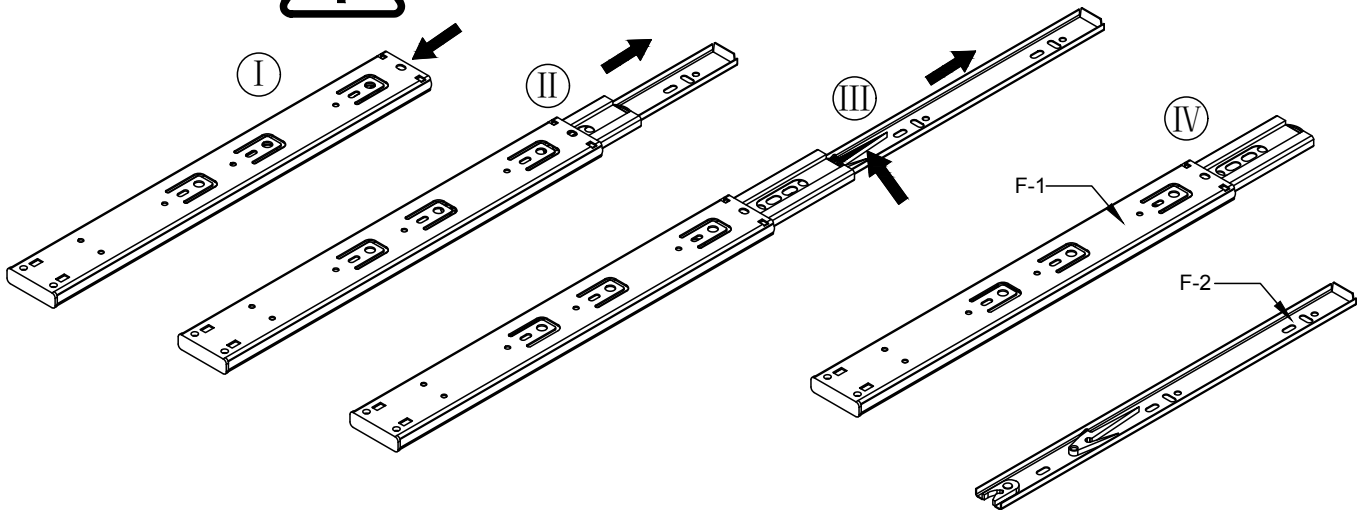
1




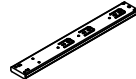
2

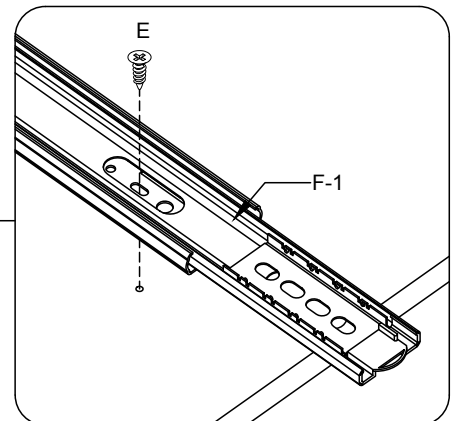
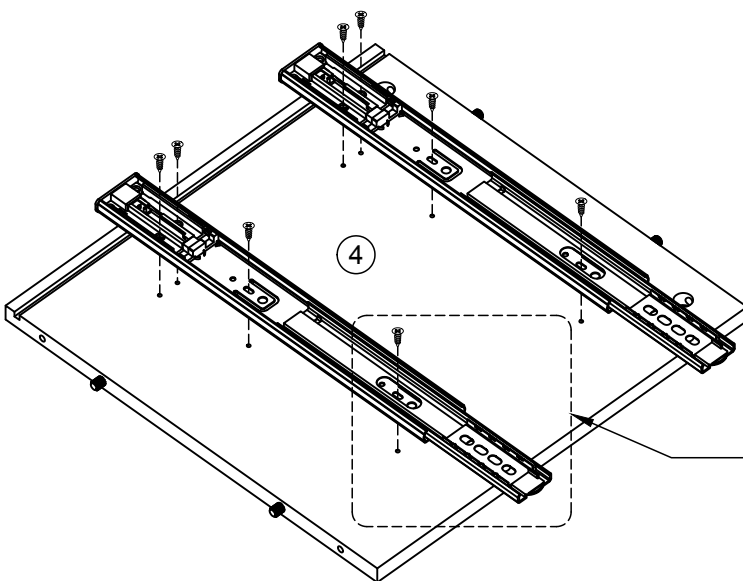
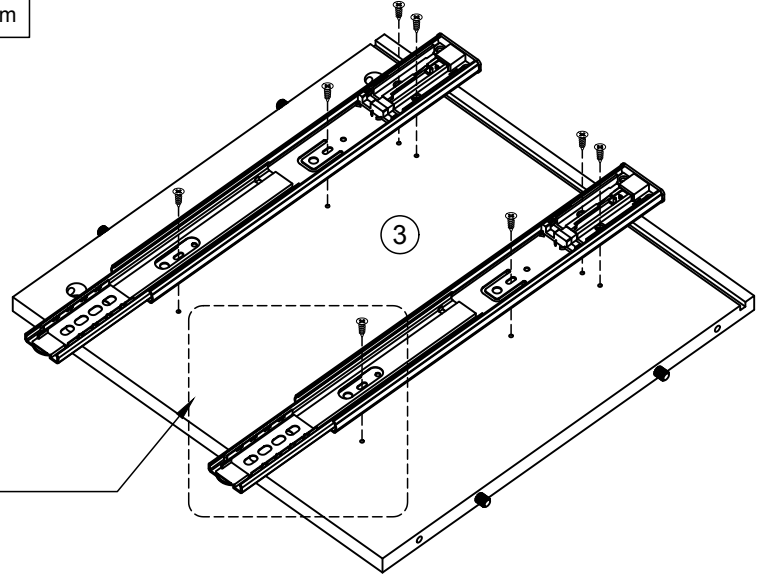
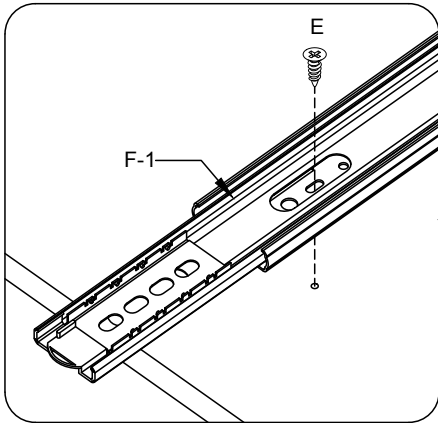
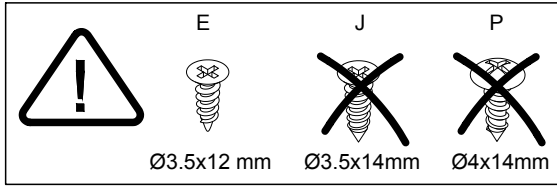
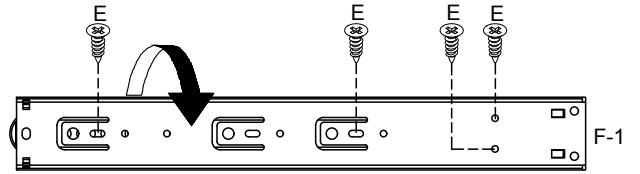
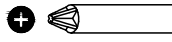


$F = F1 + F2$

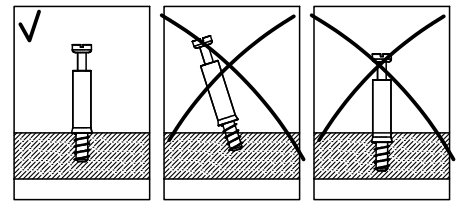
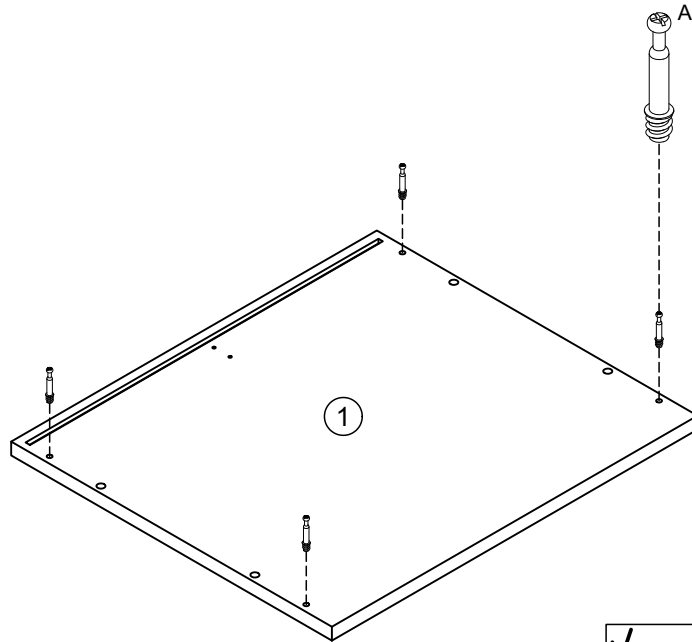
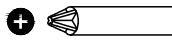
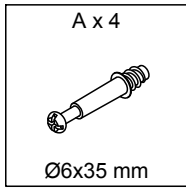


3

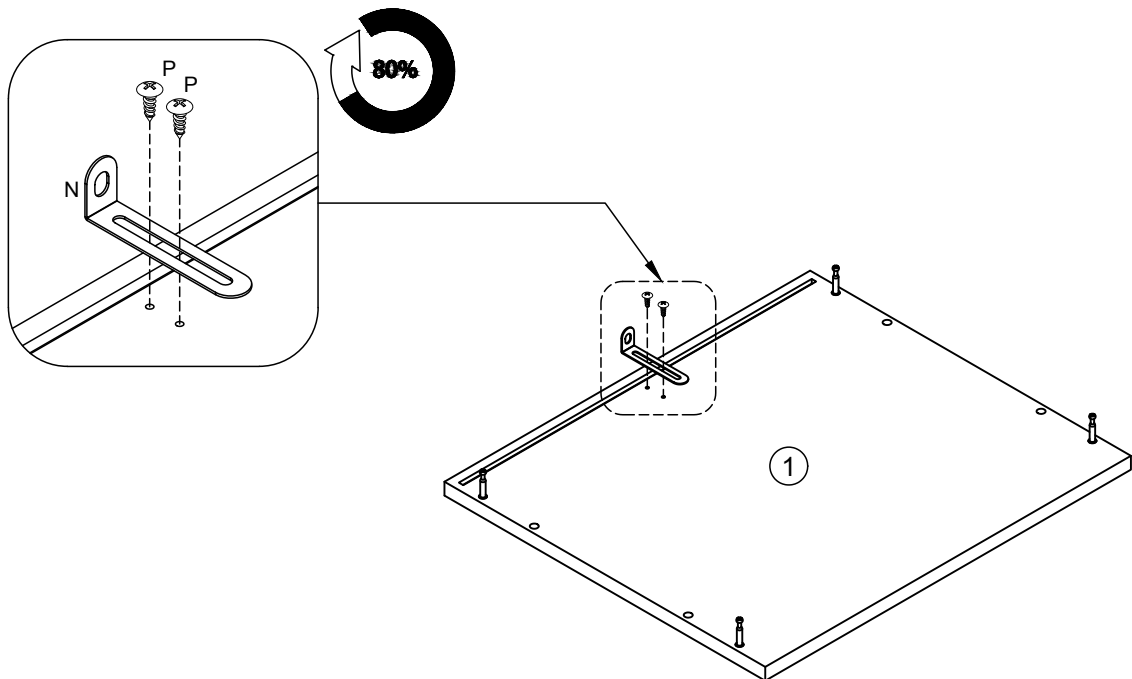
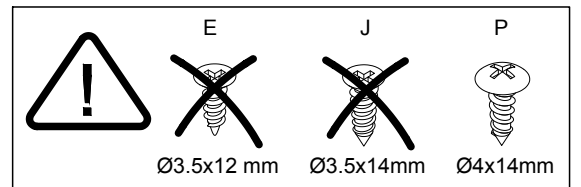
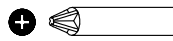
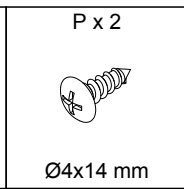
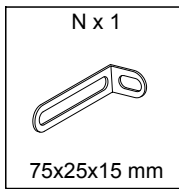
E x 16  Ø3.5x12 mm	F-1 x 4  350 mm
-----------------------------------------------------------------------------------------------------------	--------------------------------------------------------------------------------------------------------



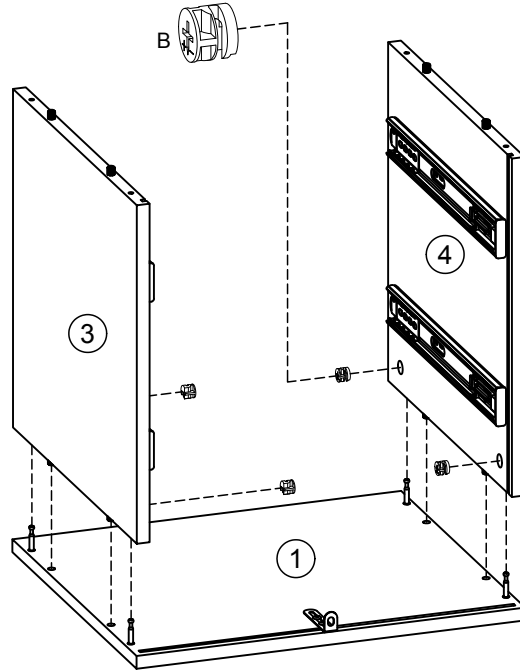
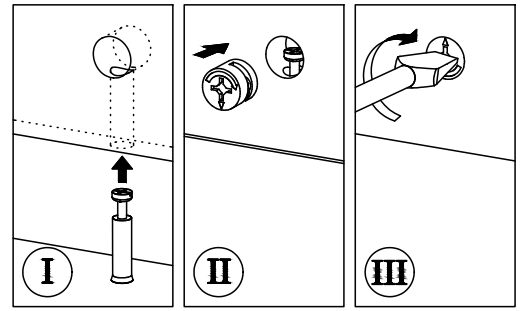
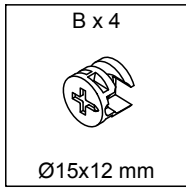
4



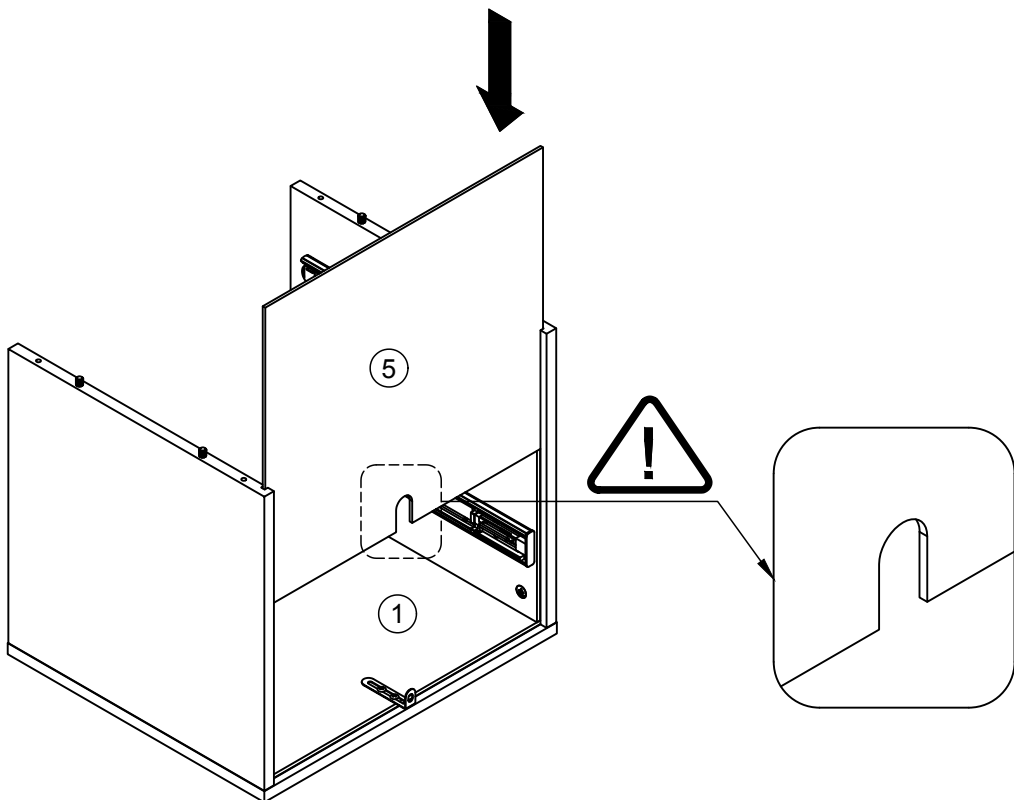
5



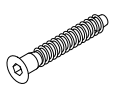
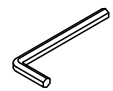
6

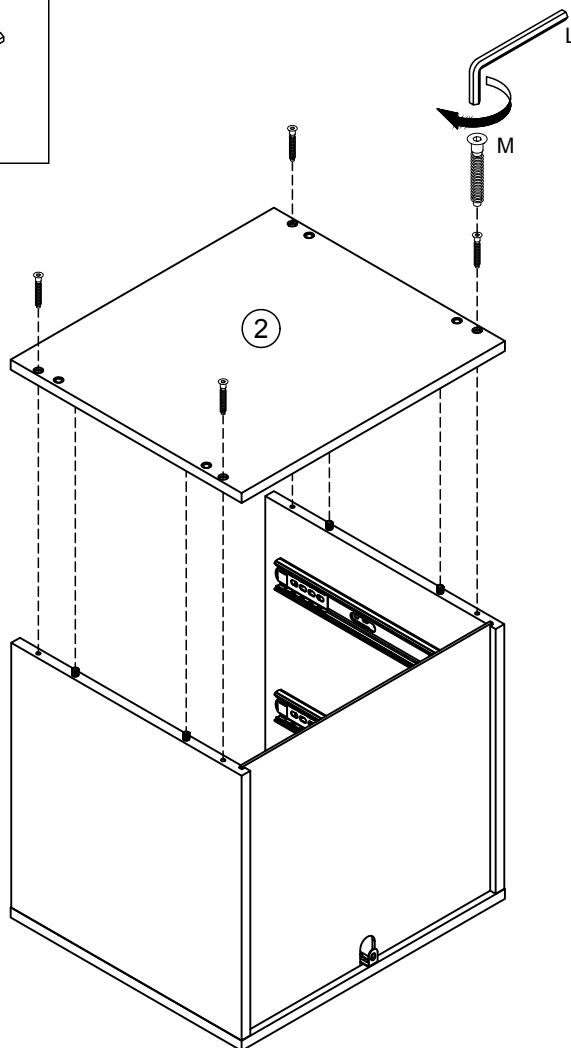


7


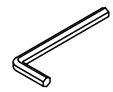


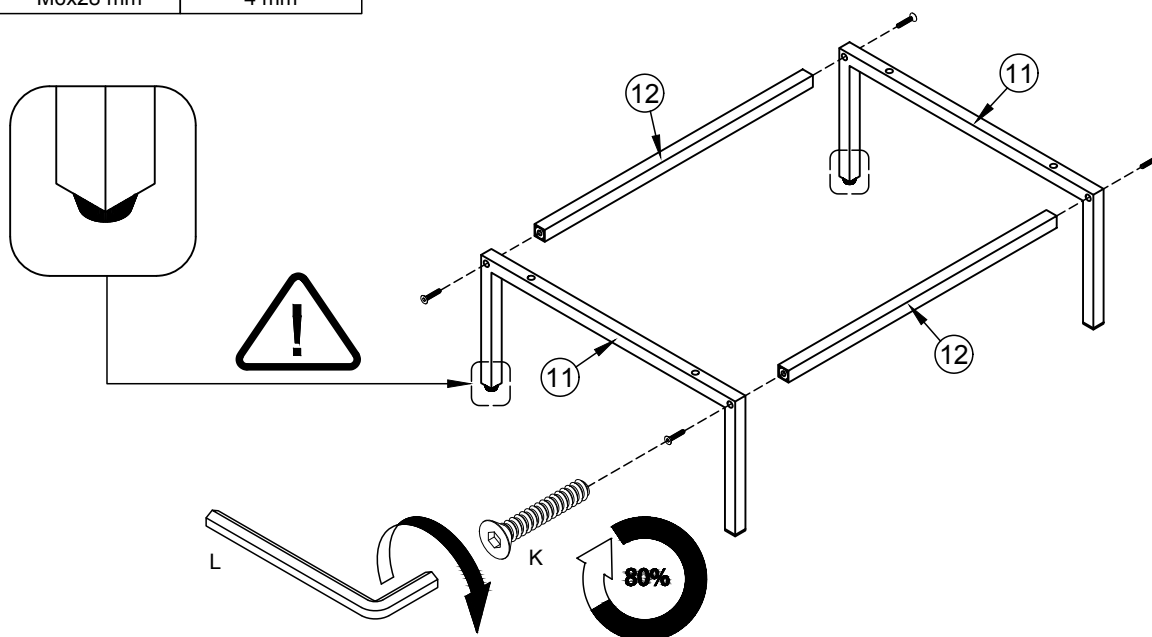
8

M x 4  Ø7x48 mm	L x 1  4 mm
--------------------------------------------------------------------------------------------------------	----------------------------------------------------------------------------------------------------

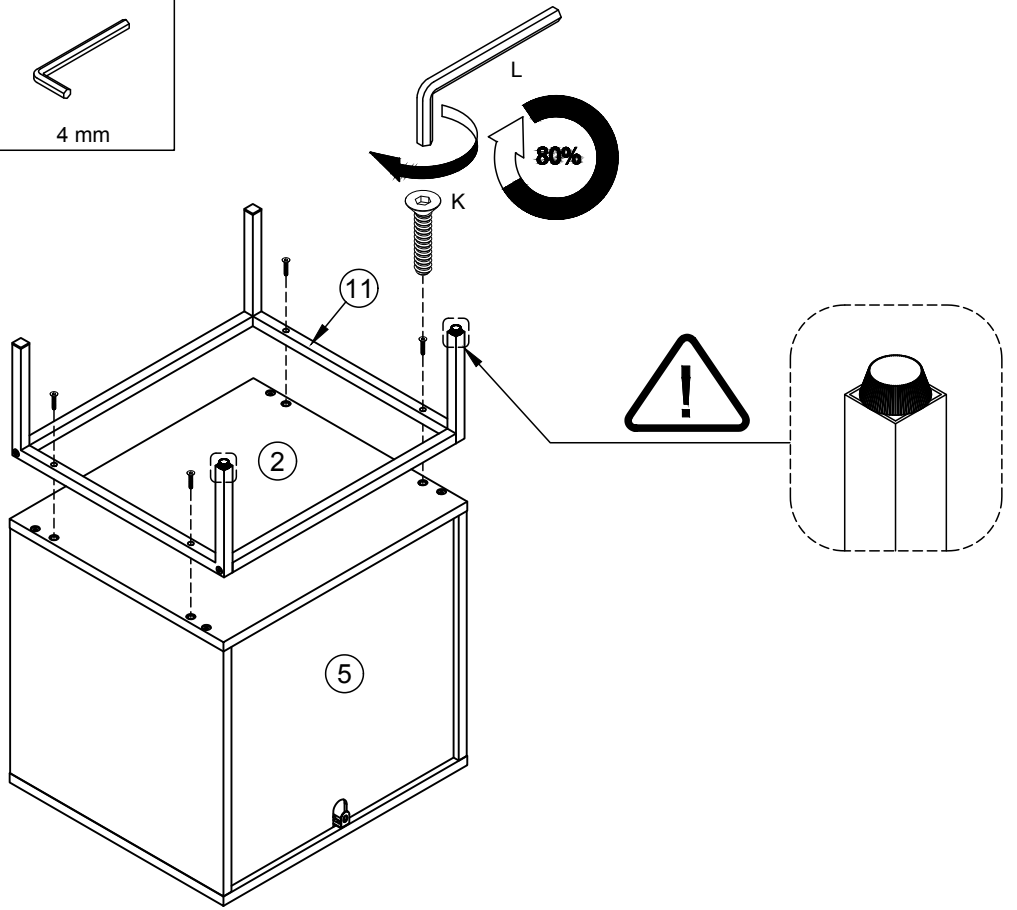
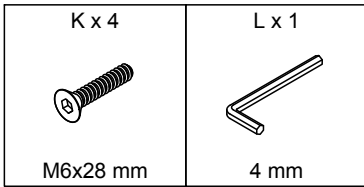


9

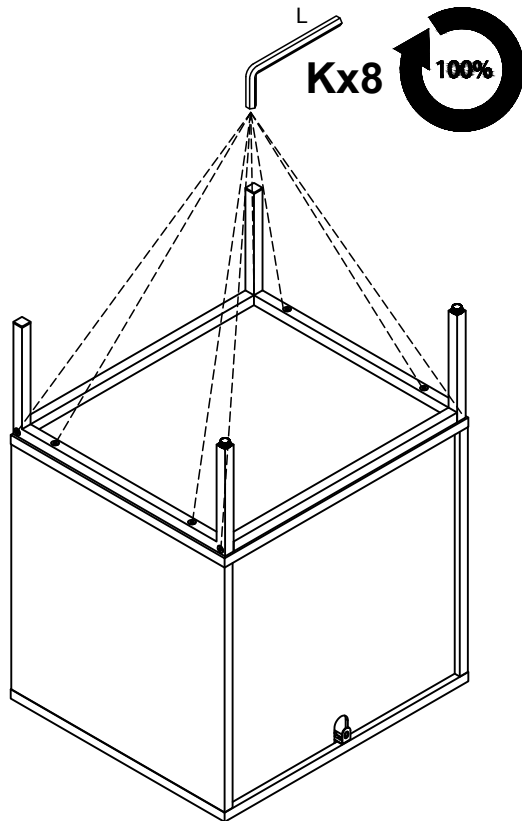
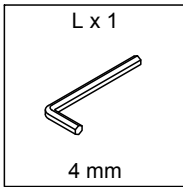
K x 4  M6x28 mm	L x 1  4 mm
----------------------------------------------------------------------------------------------------------	------------------------------------------------------------------------------------------------------



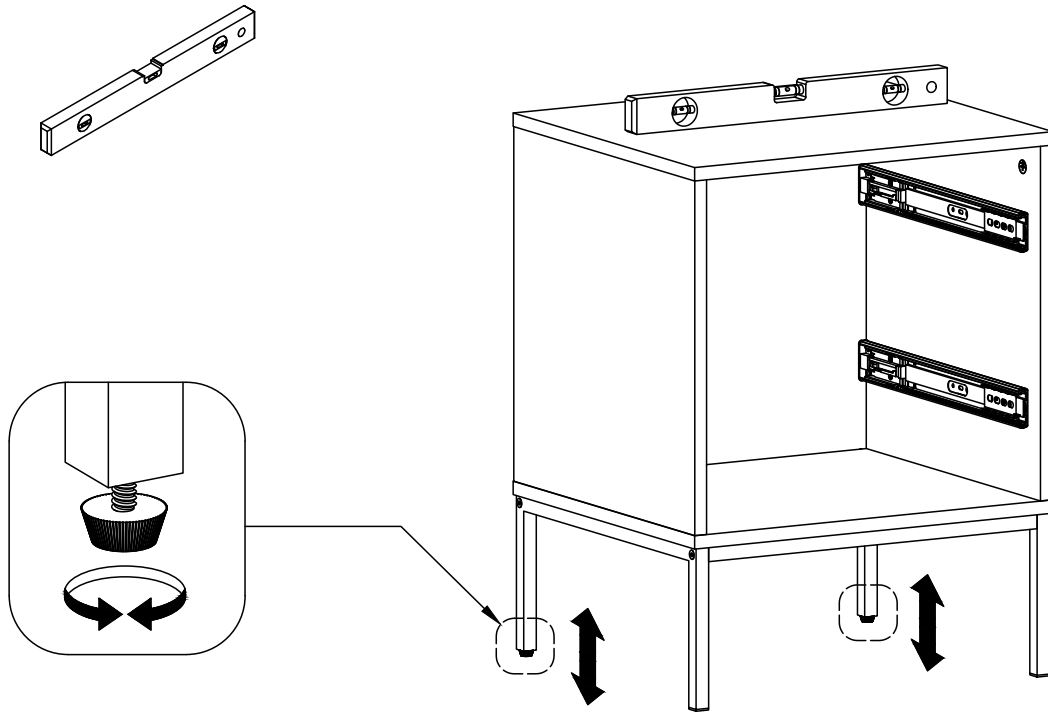
10



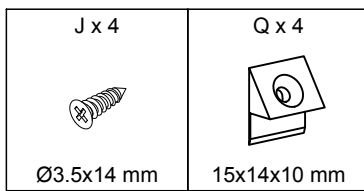
11



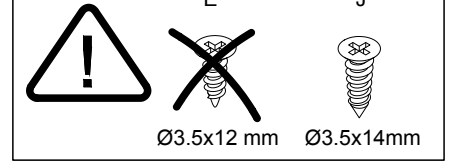
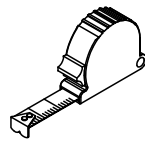
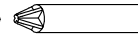
12



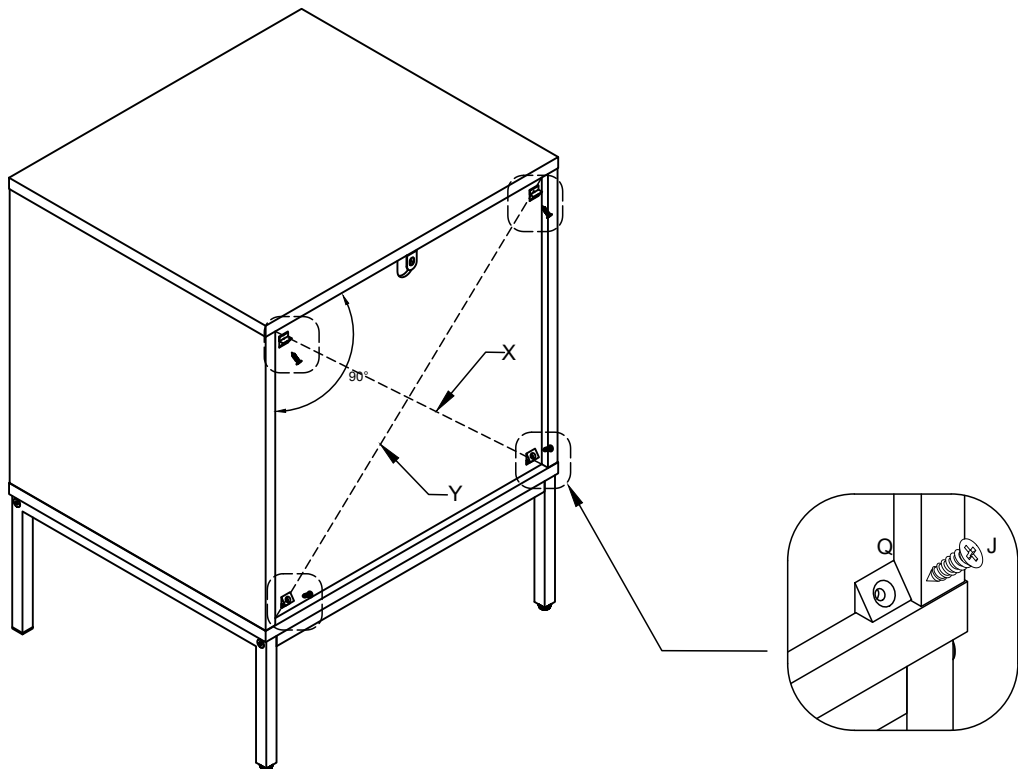
13



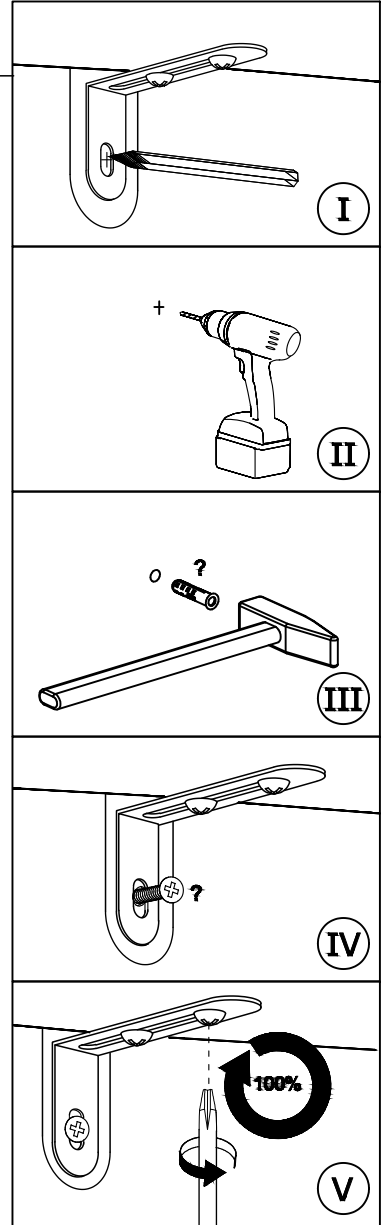
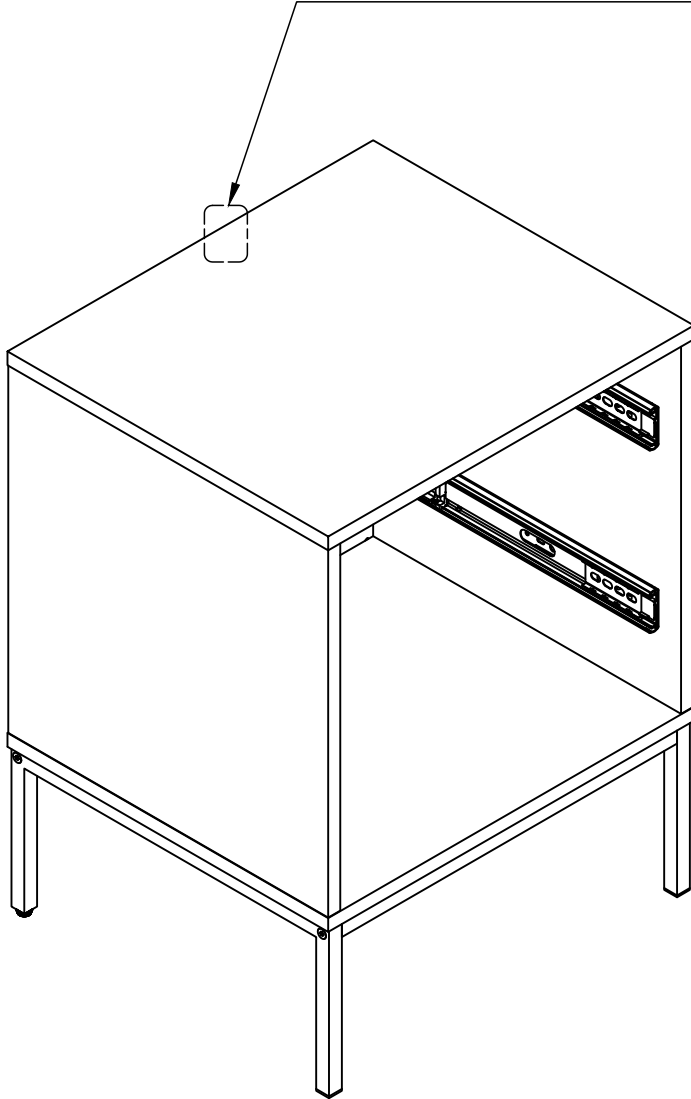
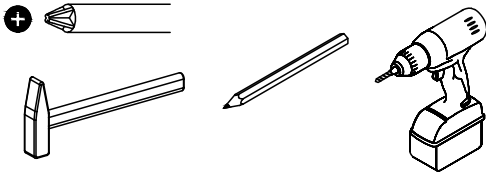
+



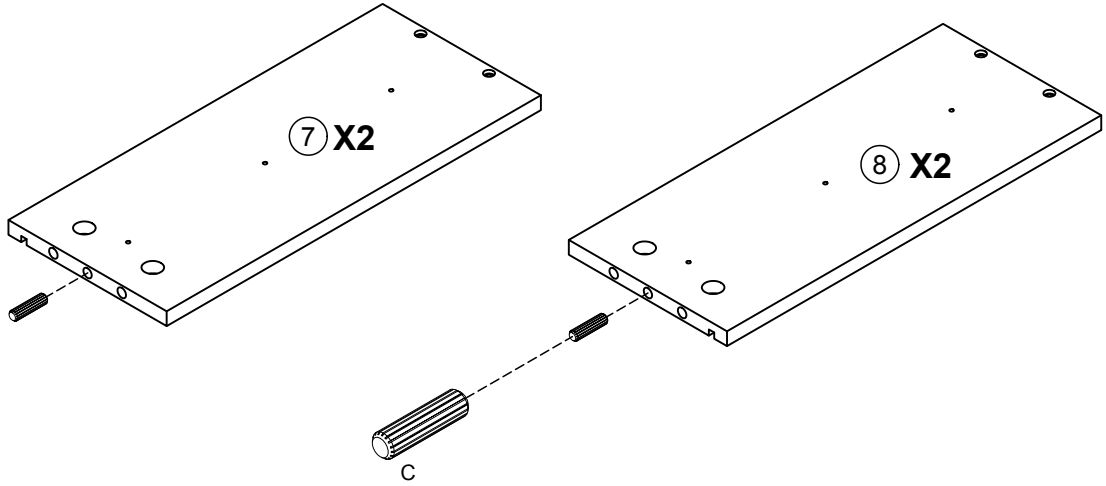
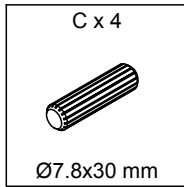
X=Y



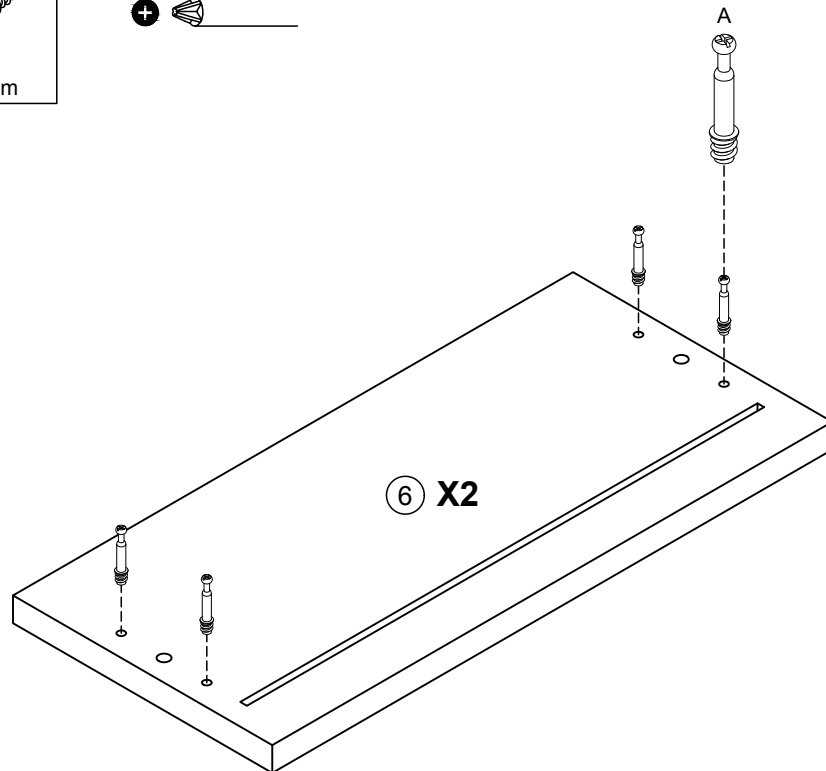
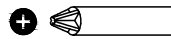
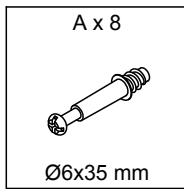
14



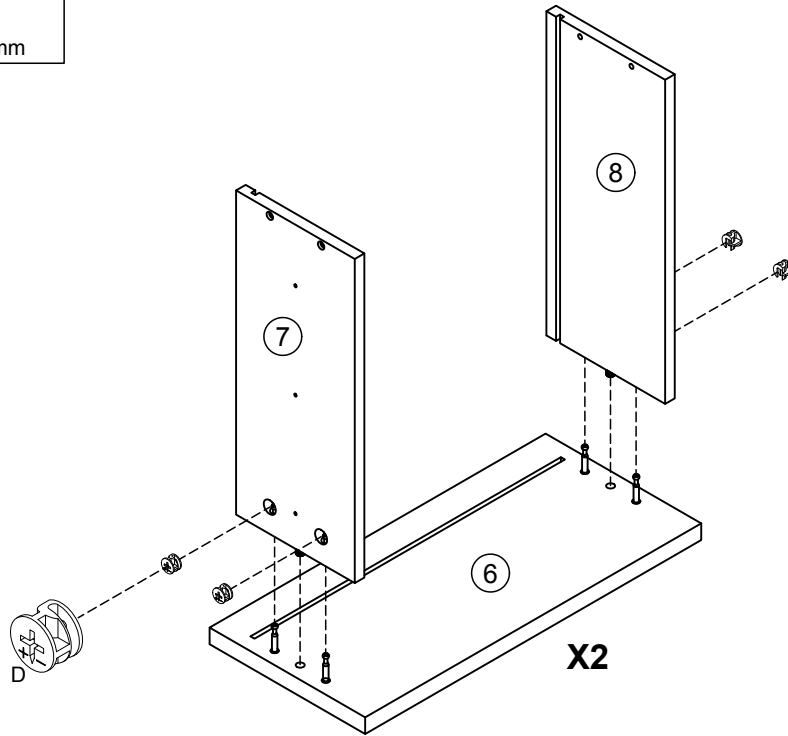
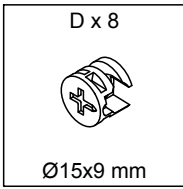
15



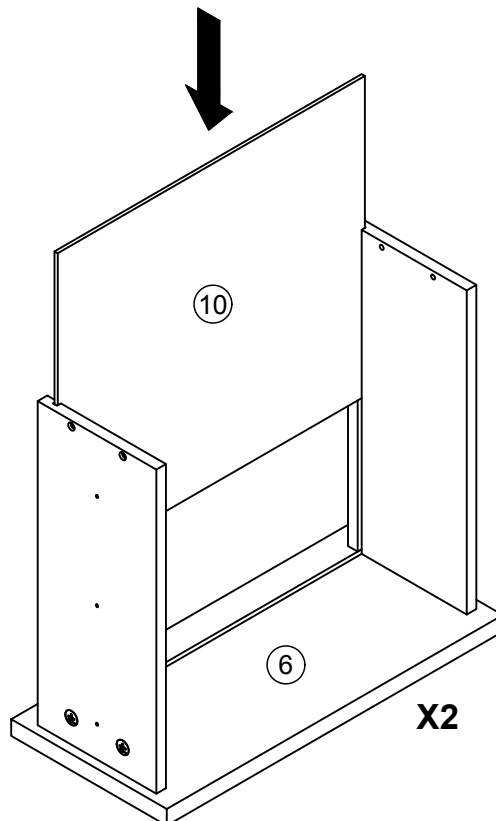
16



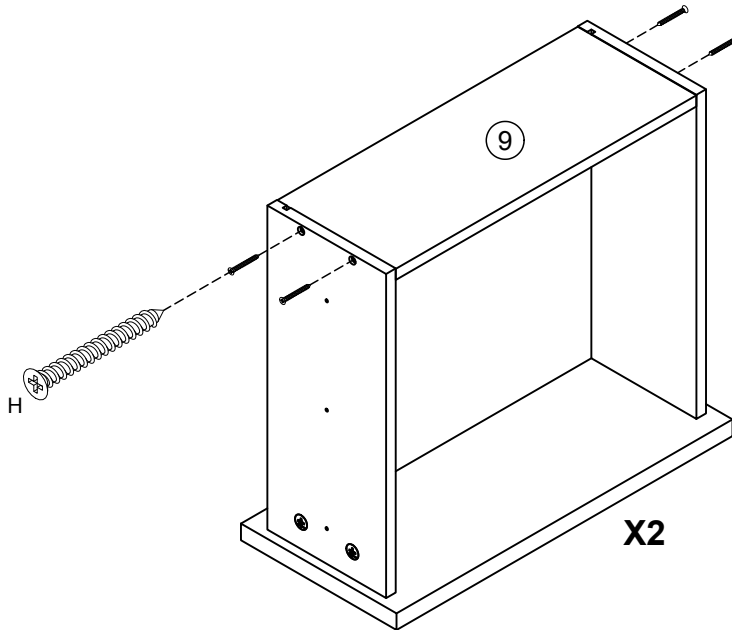
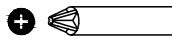
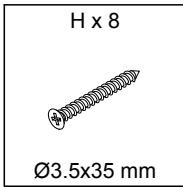
17



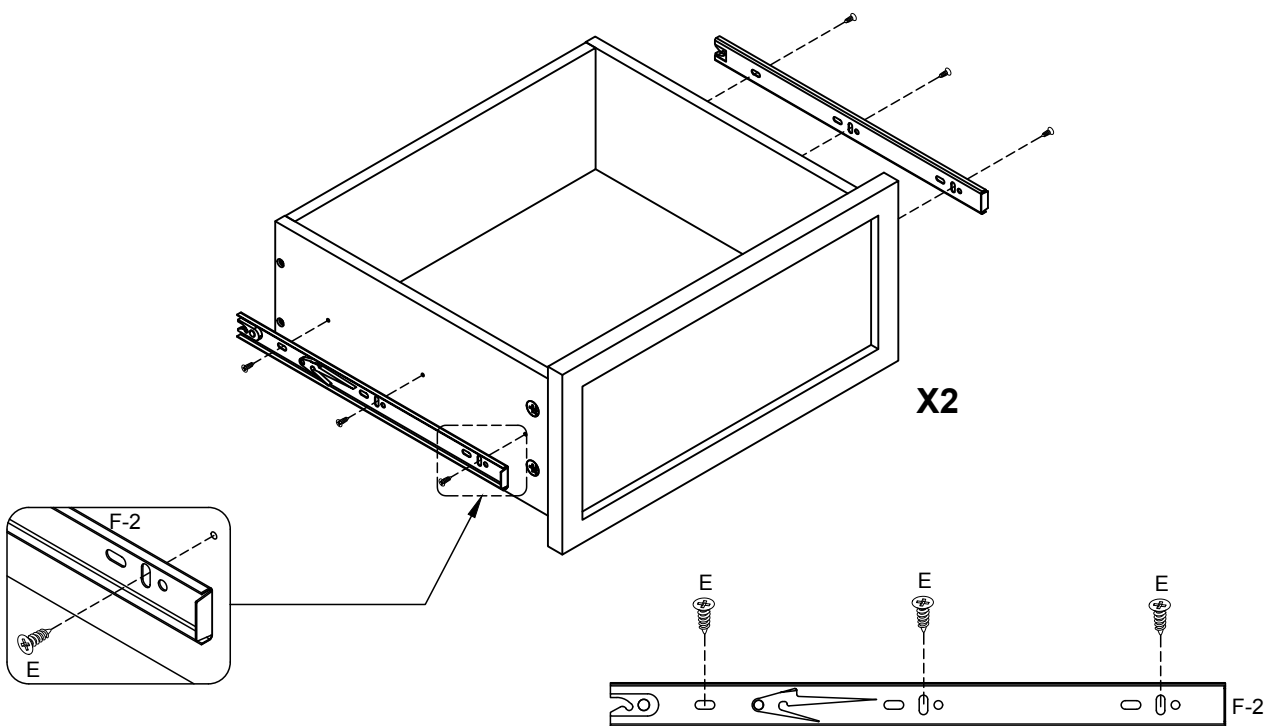
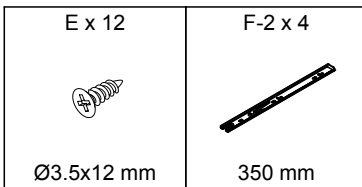
18



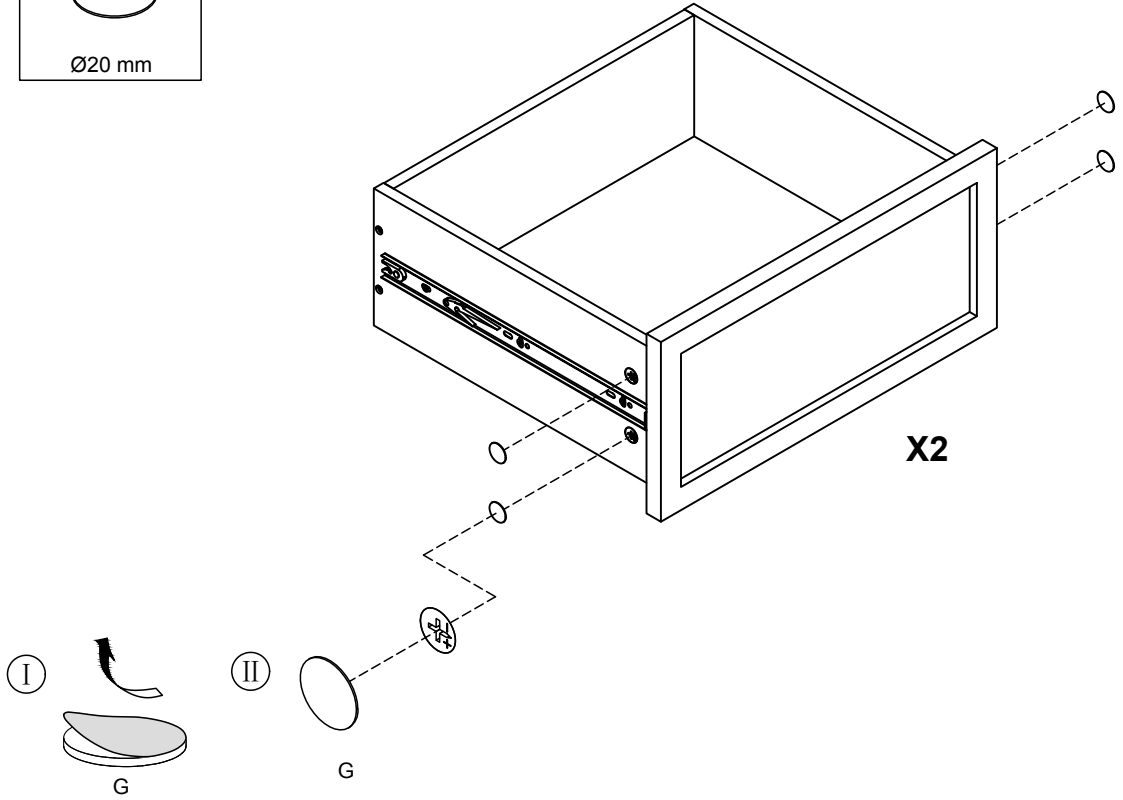
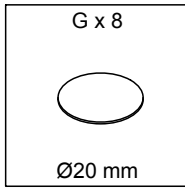
19



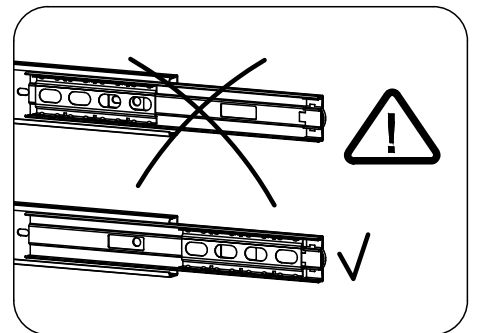
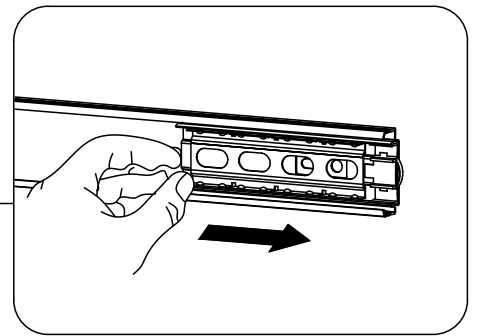
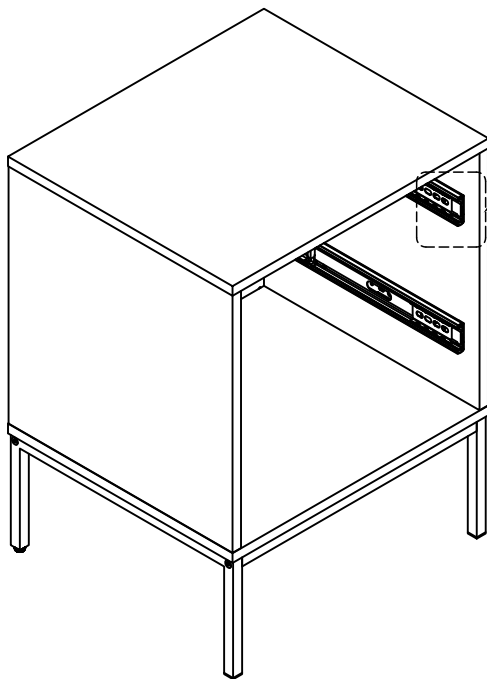
20



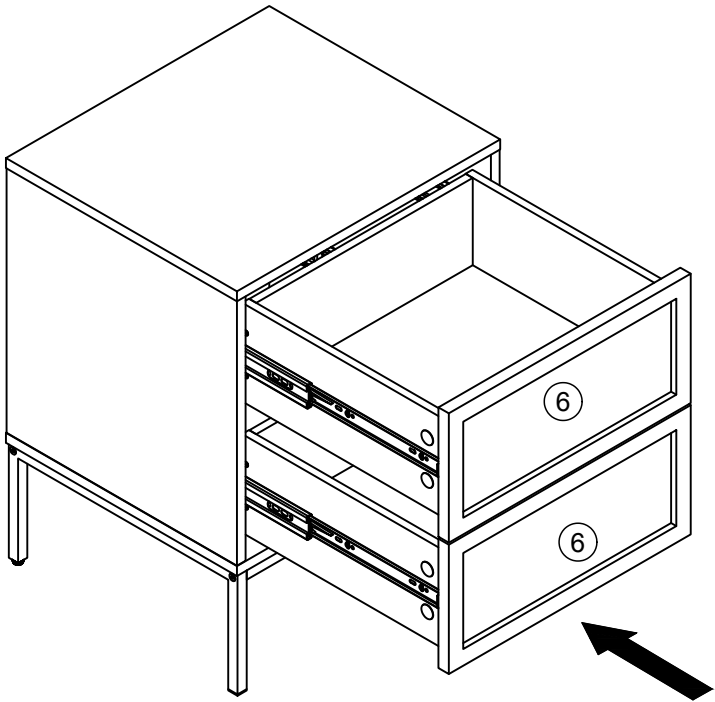
21



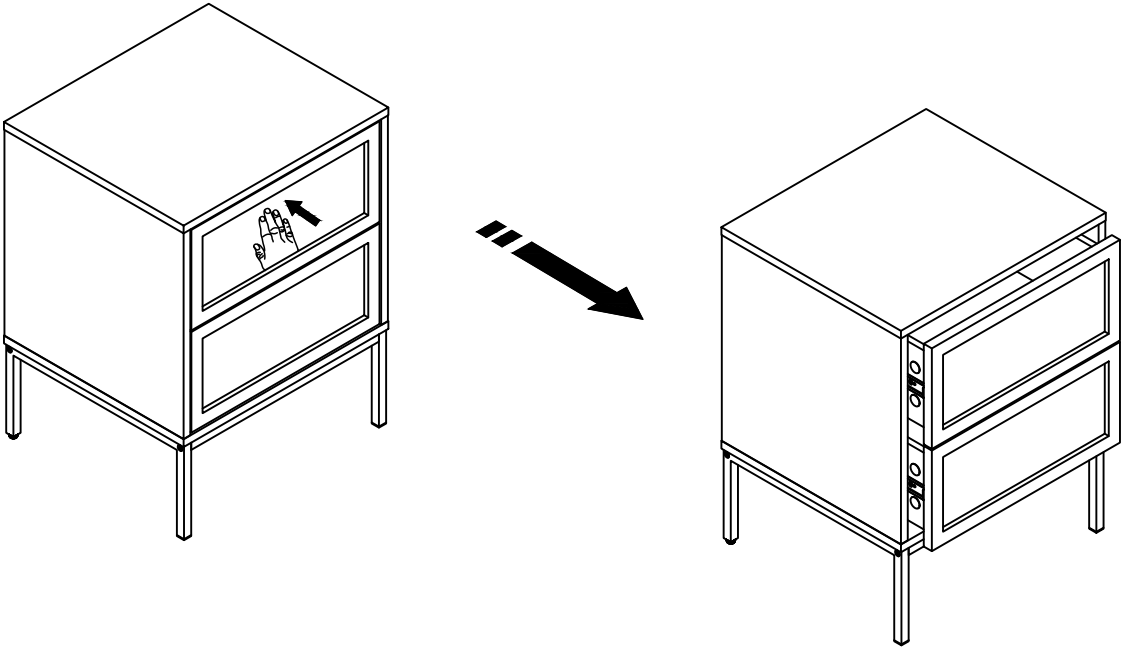
22



23



24



25

