




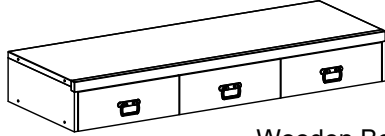

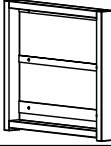
ASSEMBLY INSTRUCTIONS

Tv _ Stand

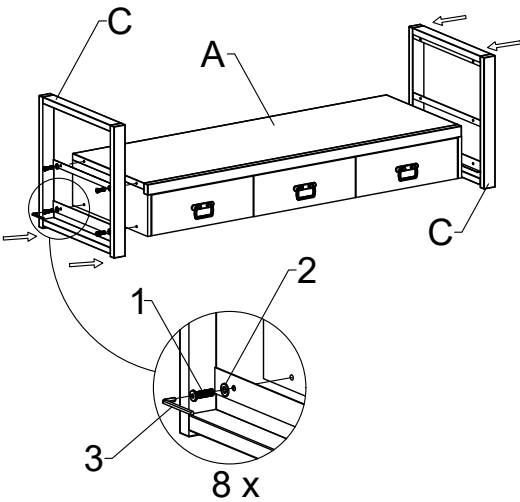
HARDWARE :-

S.No.	Description	Qty.
1	 JCB Blot 6 x 16	12
2	 Washer 6 x 20	12
3	 Allen key 4 mm	1

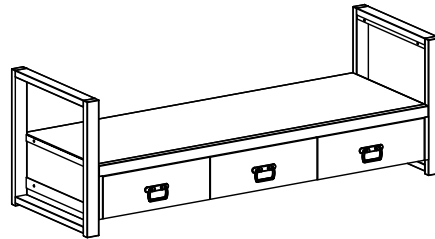
PART :-

S.No.	Description	Qty.
A	 Wooden Box	1
B	 Wooden Shelf	1
C	 Metal legs	2

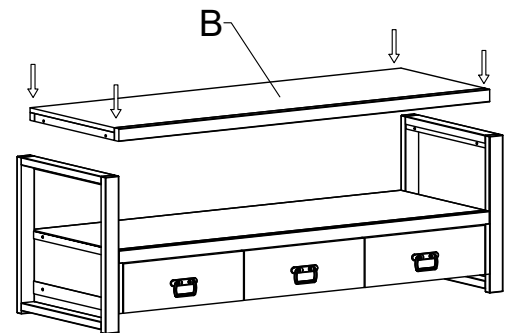
1)



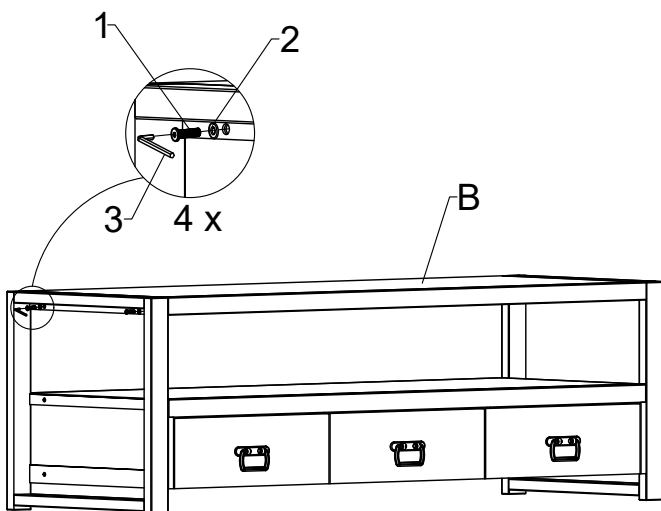
2)



3)



4)



Complete

