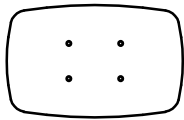
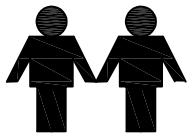
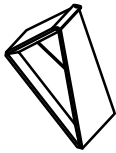


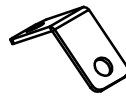
# MOLY ASSEMBLY INSTRUCTION



A ×1pc



B ×2pcs



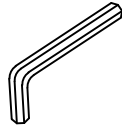
C ×2pcs



D ×4pcs  
M8\*12mm

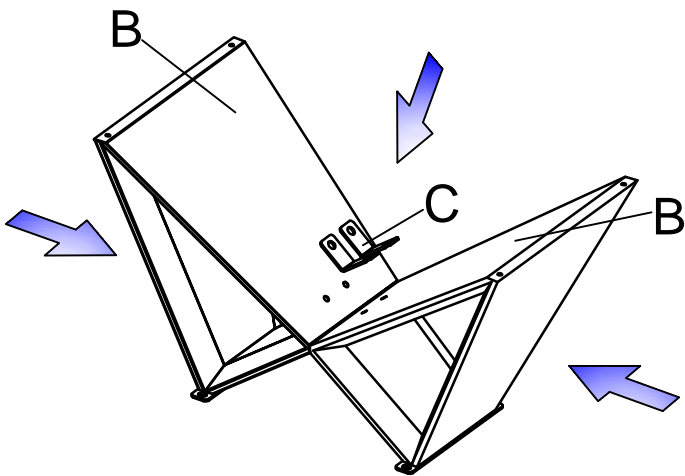


E ×4pcs  
M8\*16mm

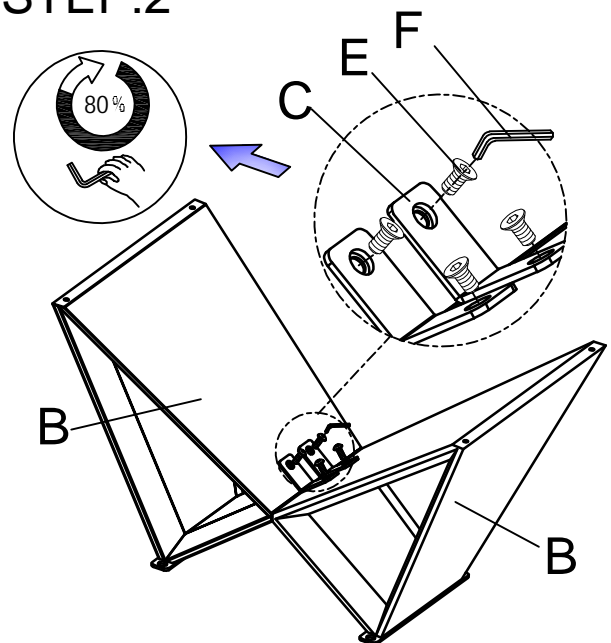


F ×1pc  
#5

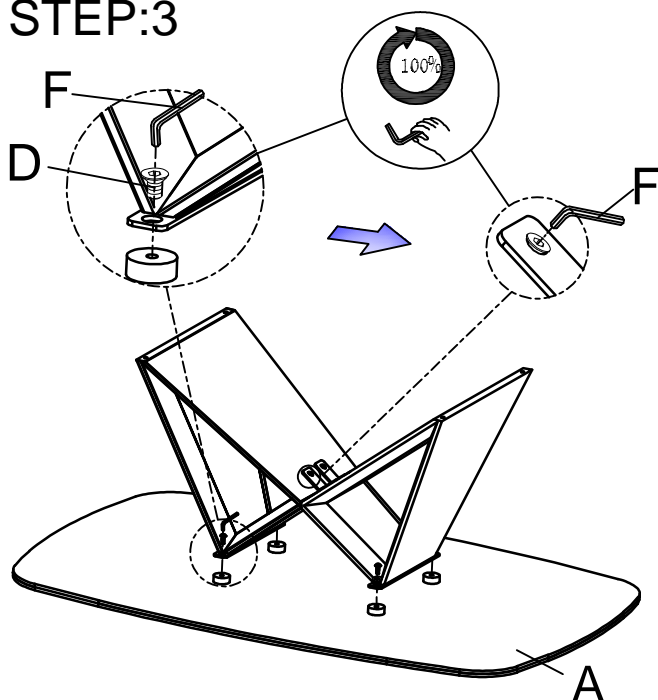
## STEP:1



## STEP:2



## STEP:3



## STEP:4

