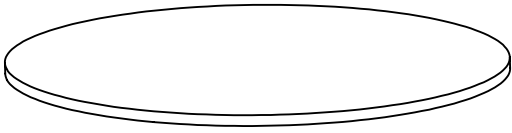


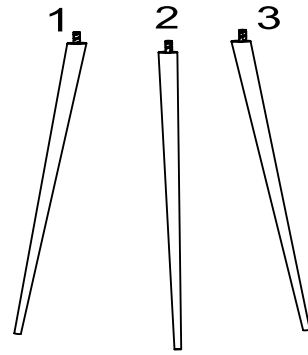
ASSEMBLY INSTRUCTIONS

Item#460417.062

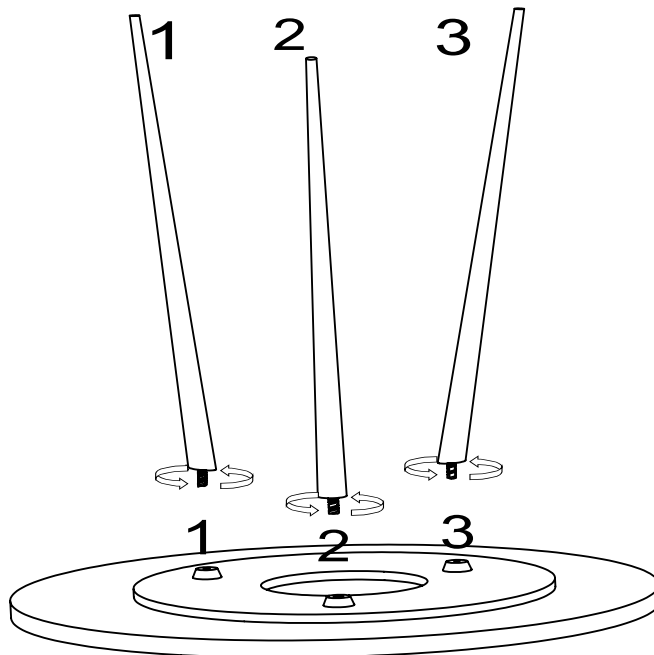
PART -A



PART -B



PLEASE PLACE THE TOP UPSIDE-DOWN ON A CLEAN SURFACE ALIGN LEG WITH NUT HOLE ON THE UNDERSIDE OF THE TOP USE PROVIDED NUT TO FIX THE LEG TIGHTEN NUT WITH THE TOP AS SHOWN BELOW USING THE SPANNER PROVIDED



FINAL ASSEMBLED TABLE