







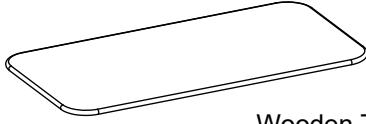

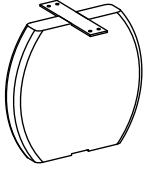
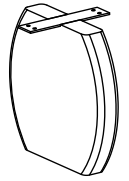
ASSEMBLY INSTRUCTIONS

Coffee Table

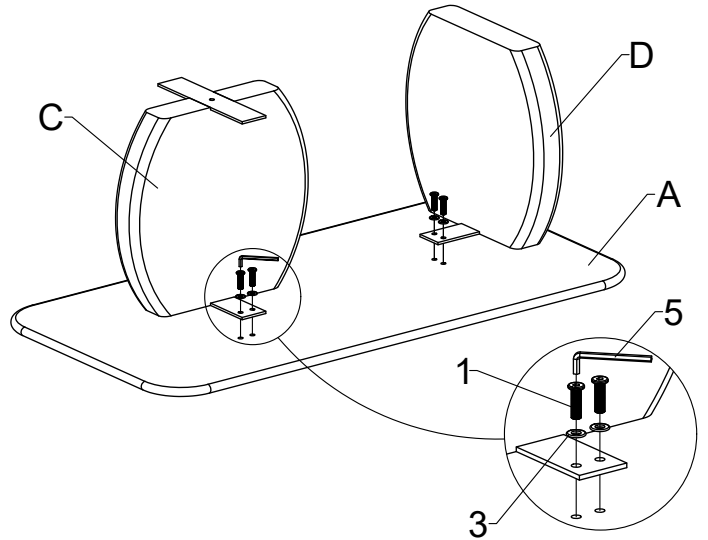
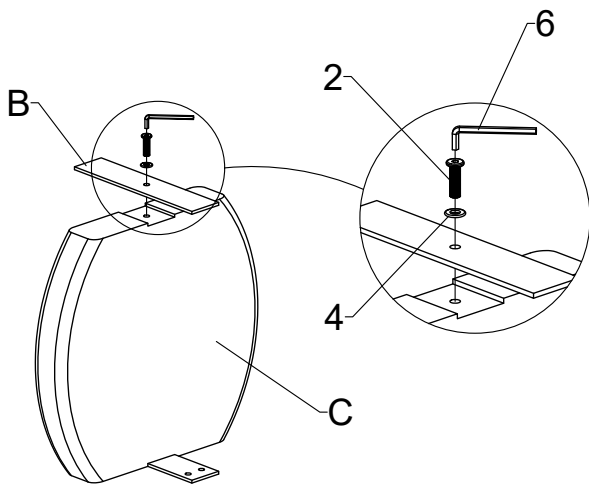
HARDWARE :-

S.No.	Description	Qty.
1	 JCB Bolt 6 x 16	8
2	 JCB Bolt 8 x 20	1
3	 Washer 6 x 20	8
4	 Washer 8 x 25	1
5	 Allen key 4 mm	1
6	 Allen key 5 mm	1

PART :-

S.No.	Description	Qty.
A	 Wooden Top	1
B	 Metal Flat	1
C	 Wooden Leg	1
D	 Wooden Leg	1

1)



Complete

