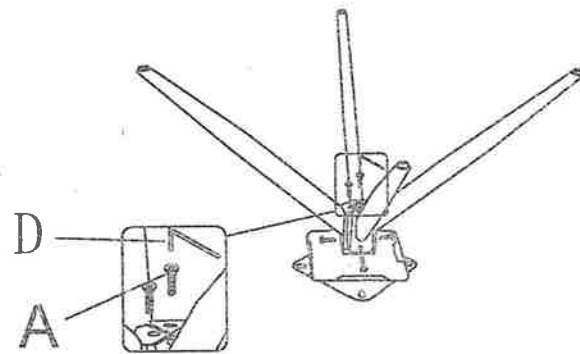
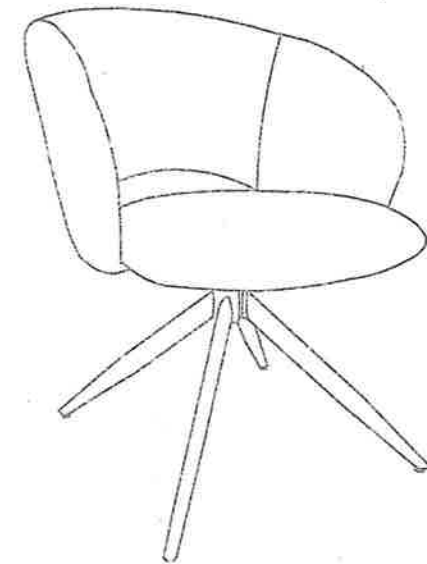
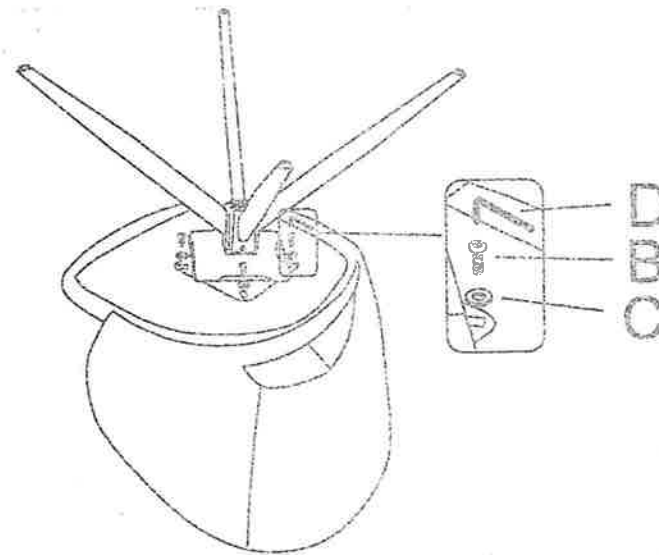


ASSEMBLY INSTRUCTION

STEP1



STEP2



DX-2752

A



8pcs

B



4pcs

C



4pcs

D



1pc