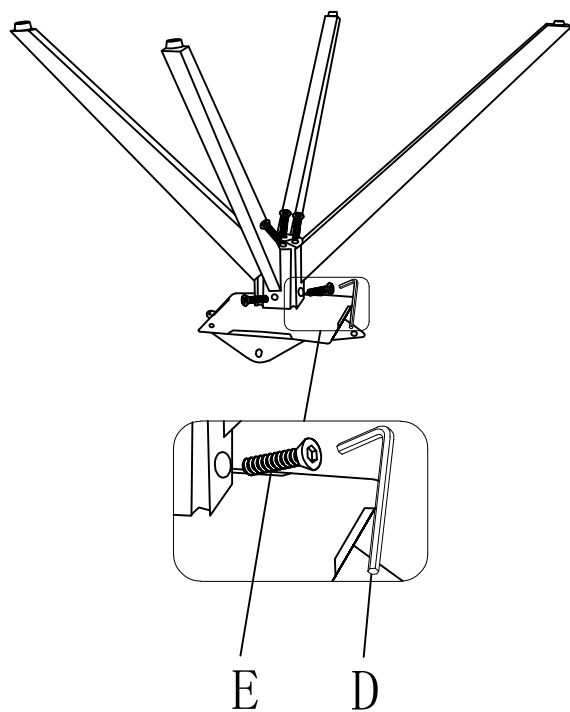
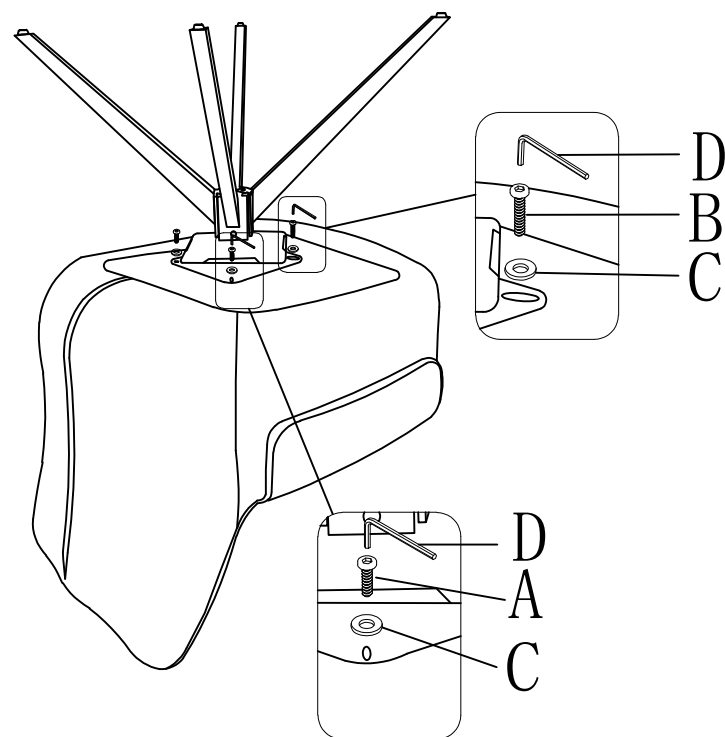


ASSEMBLY INSTRUCTION

STEP 1



STEP 2



DX-2976X

A



2pc

B



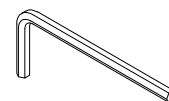
2pcs

C



4pcs

D



1pc

E



8pc