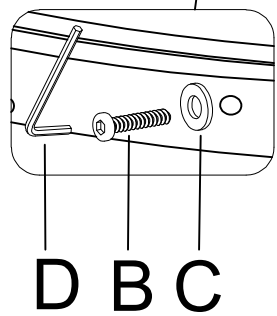
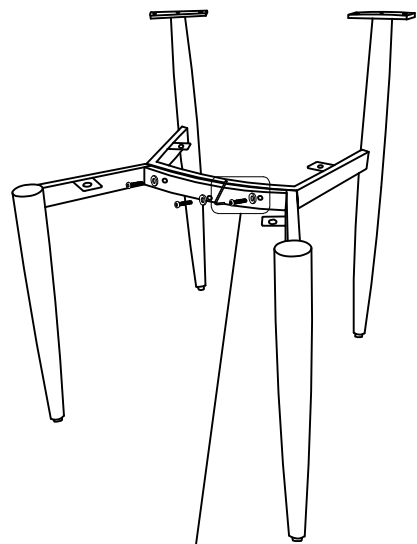
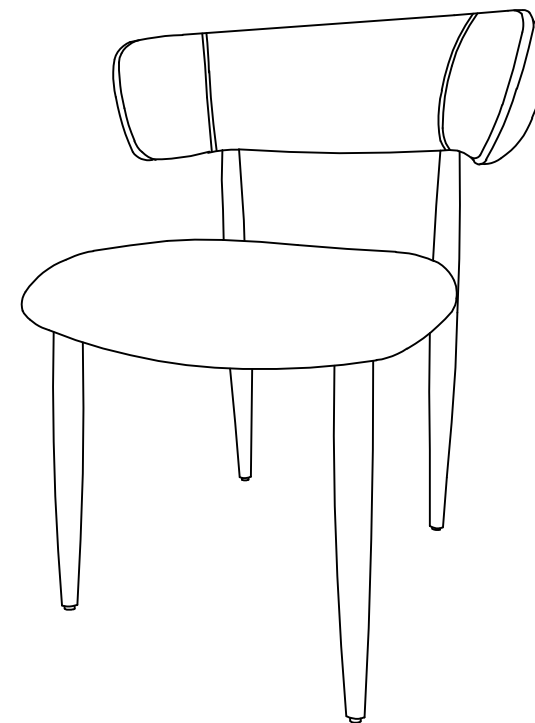
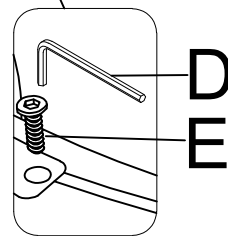
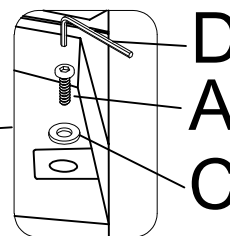
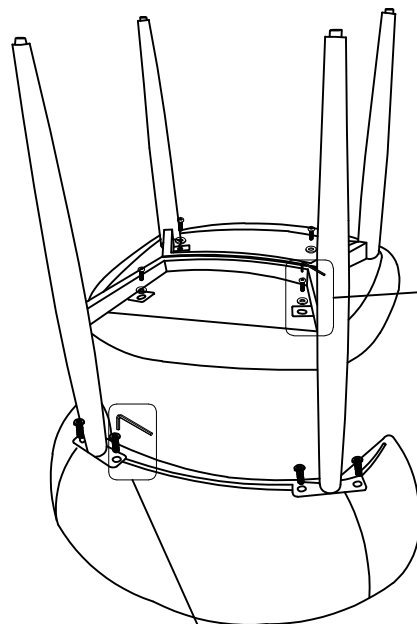


ASSEMBLY INSTRUCTION

STEP 1



STEP 2



DX-2993-1

A



4pc

B



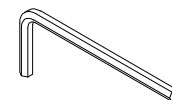
3pcs

C



7pcs

D



1pc

E



4pc