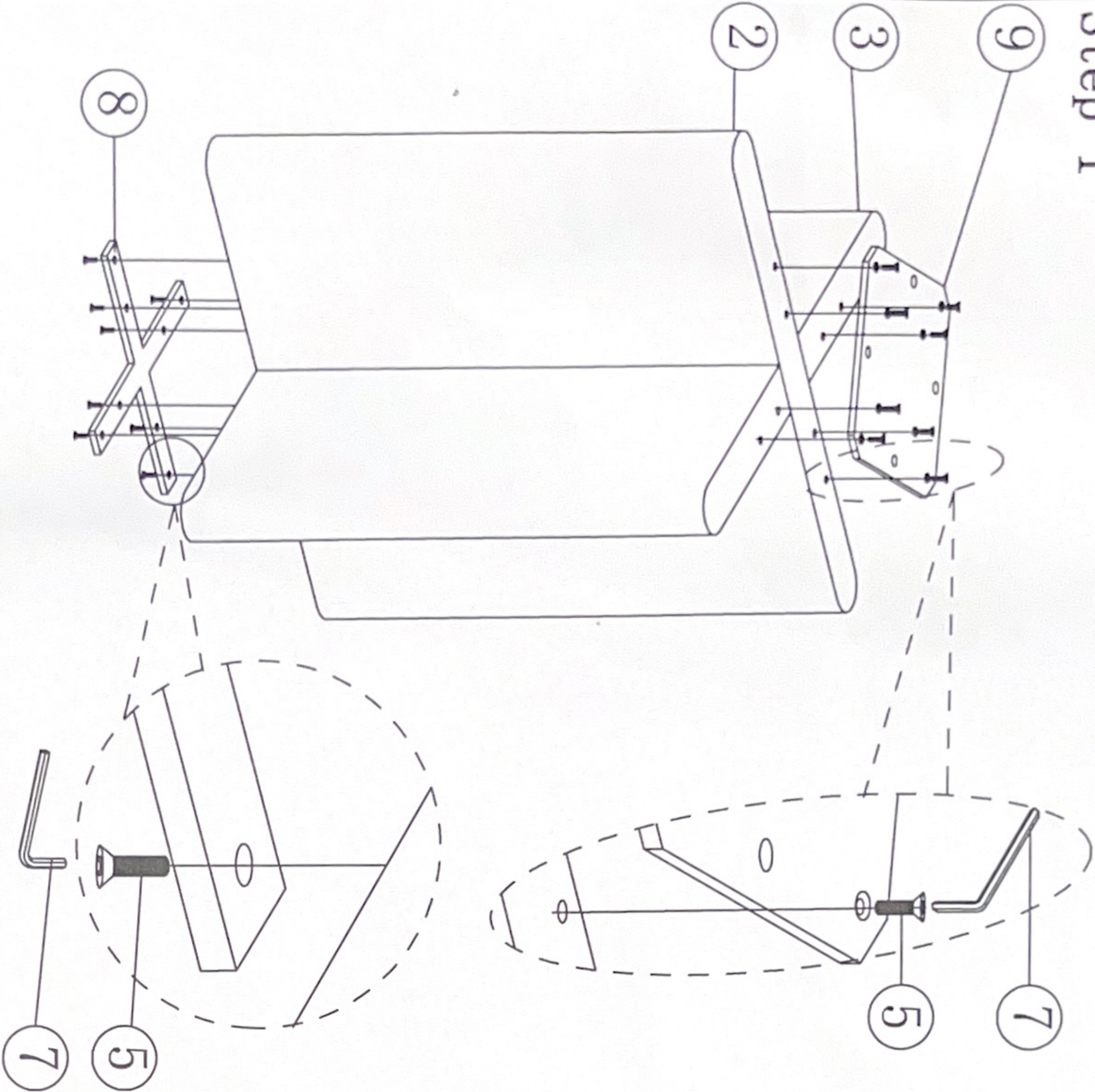
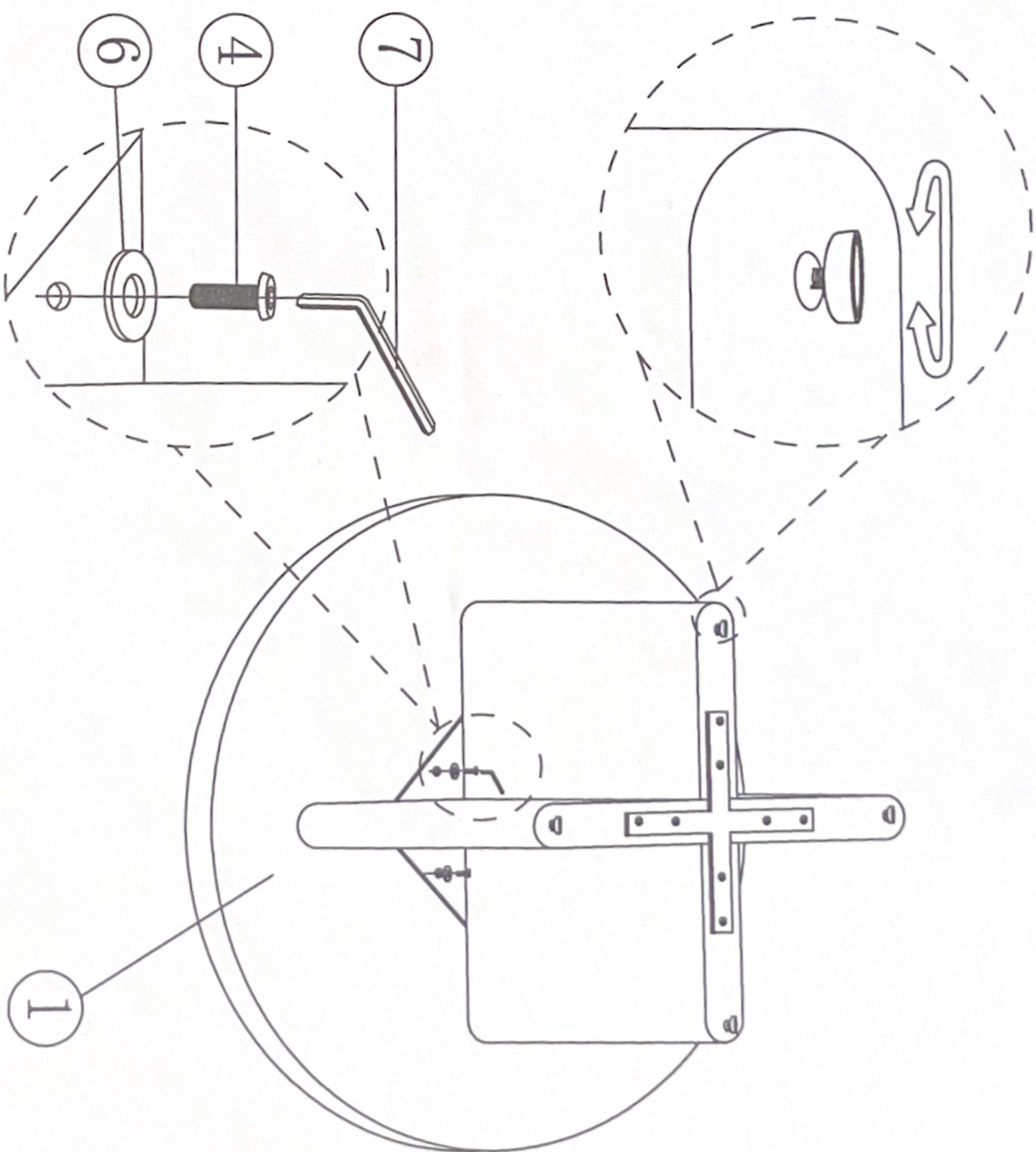


3431B Coffee table installation diagram


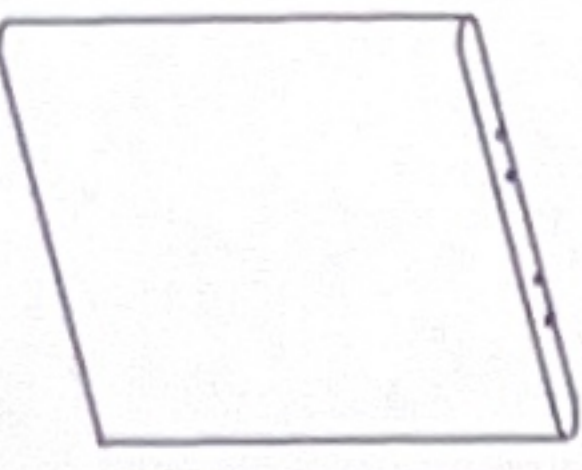







Step 1



Step 2



When the floor is uneven, the rubber feet can be adjusted to make the table stable.

<p>1. Top 1 PC</p> 	<p>2. Long leg 1 PC</p> 	<p>3. short leg 2 PCS</p> 	<p>4. Screw M8*20 4 PCS</p> 	<p>5. Screw M8*20 16 PCS</p> 	<p>6. Washer ø17*1.5-ø8 4 PCS</p> 	<p>7. Allen wrench S5 1 PC</p> 	<p>8. Connecting plate 1 PC</p> 	<p>9. Connecting plate 1 PC</p> 
---	--	--	--	---	---	--	--	---