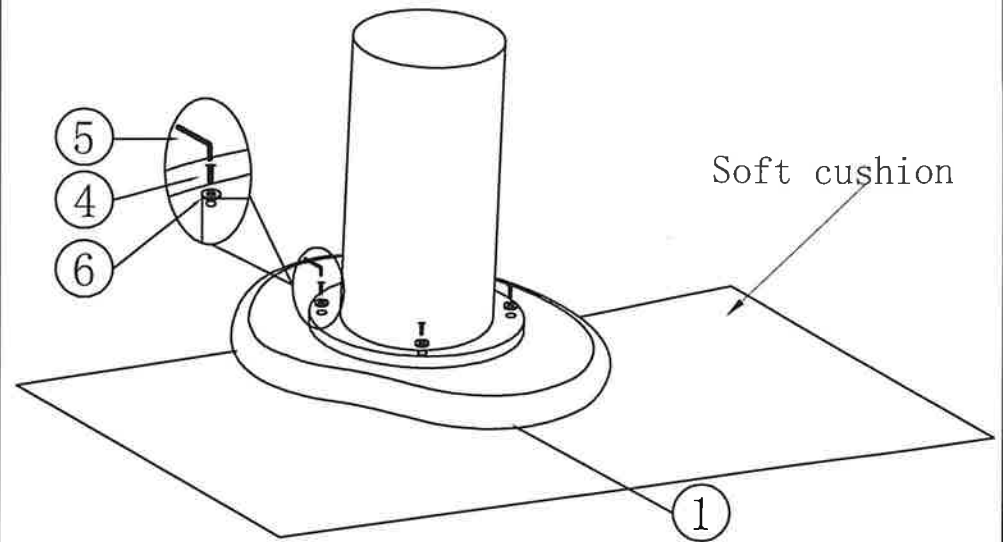
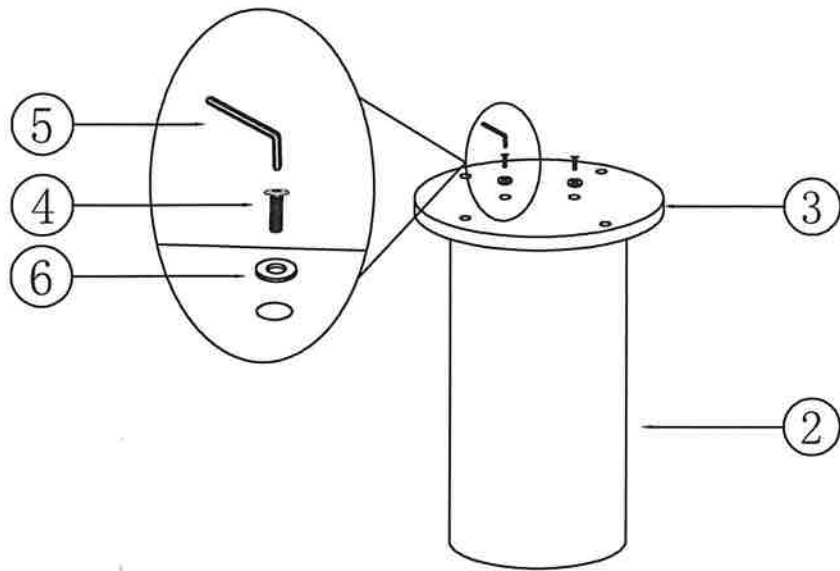
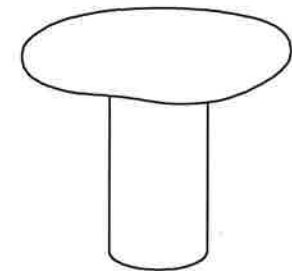
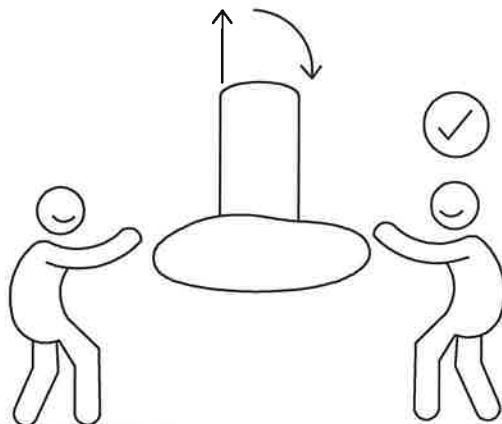
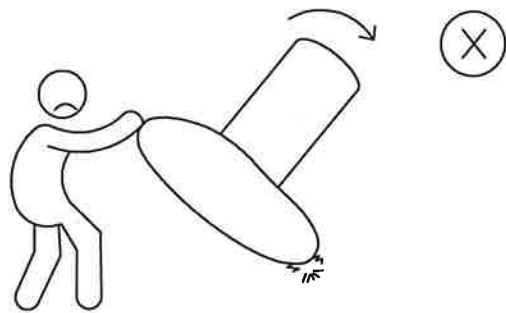


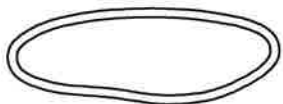
3415B Coffee table installation diagram



After installing the dining table, turn it over and place it horizontally, In case of hitting the ground.



1. Table top
1 PC



2. Table base
1 PC



3. Connecting board
1 PCS



4. Screw
6 PCS
M6*30



5. Allen wrench
S4
1 PC



6. Washer
 $\phi 16*1.2*\phi 7$
6 PCS

