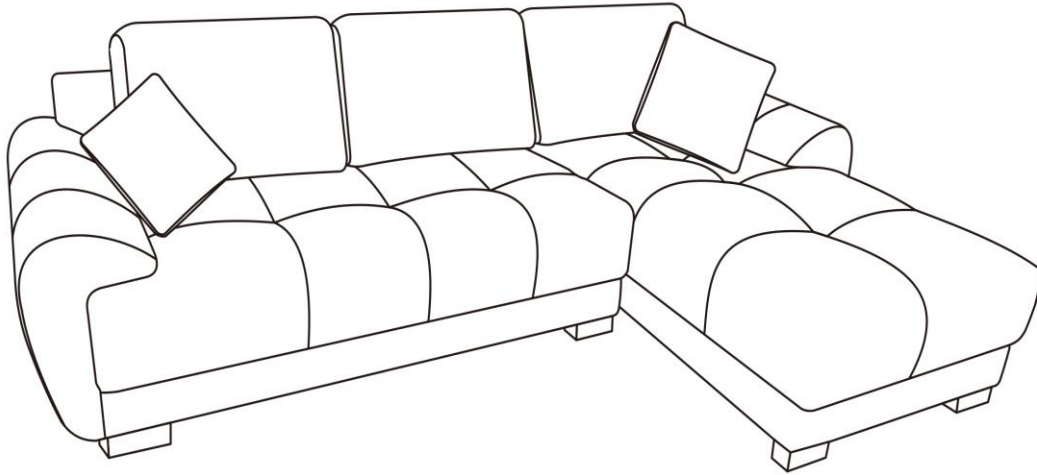


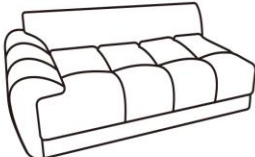
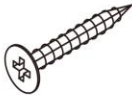

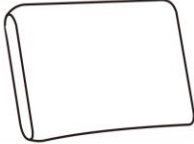
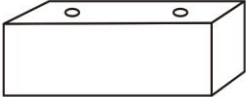


Assembly instruction

Please follow the instructions below step by step to successfully assemble your sofa.

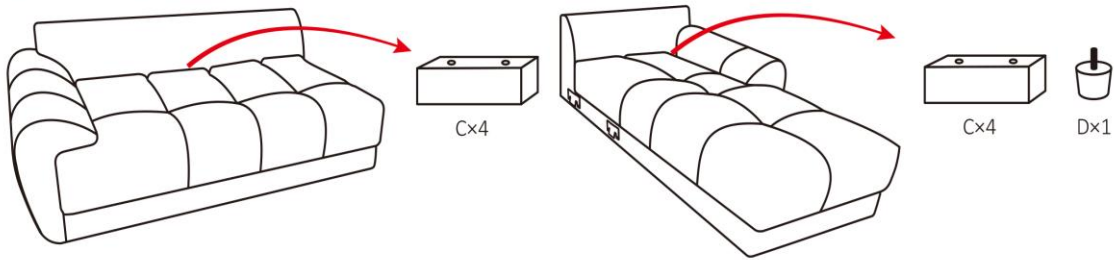
CONWAY v-433 corner sofa face on right



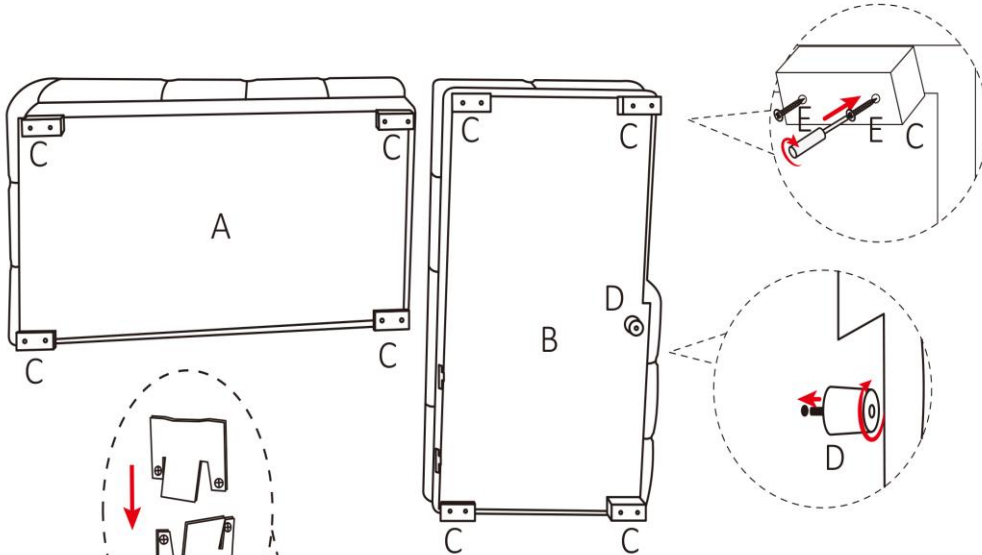
PART LIST:

A		E	
1 PC		16 PCS	
B		F	
1 PC		3 PCS	
C		G	
8 PCS		2 PCS	
D			
1 PC			

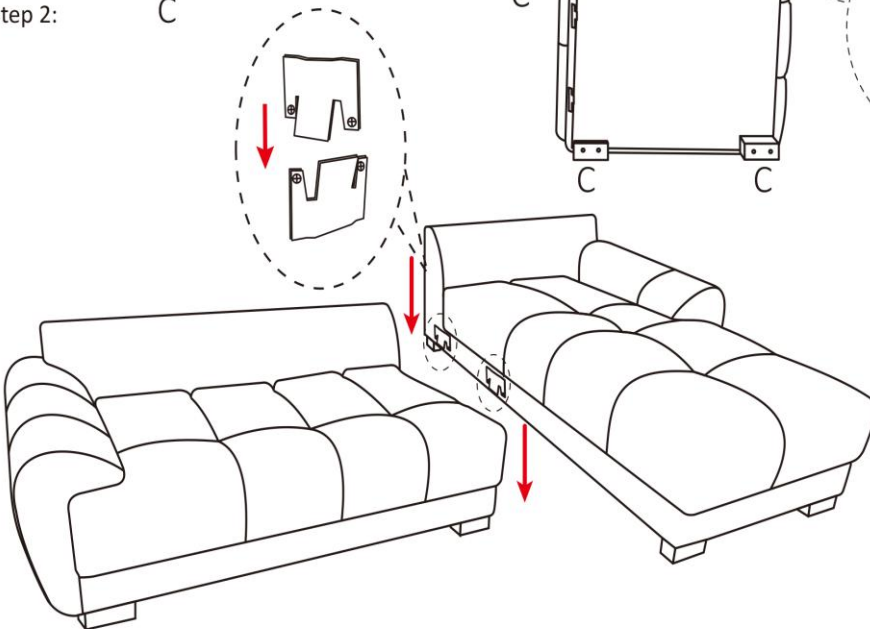
NOTE: Some accessories are placed in the positions shown in the figure. Please take them out before starting the installation.



Step 1:



Step 2:



Step 3:

