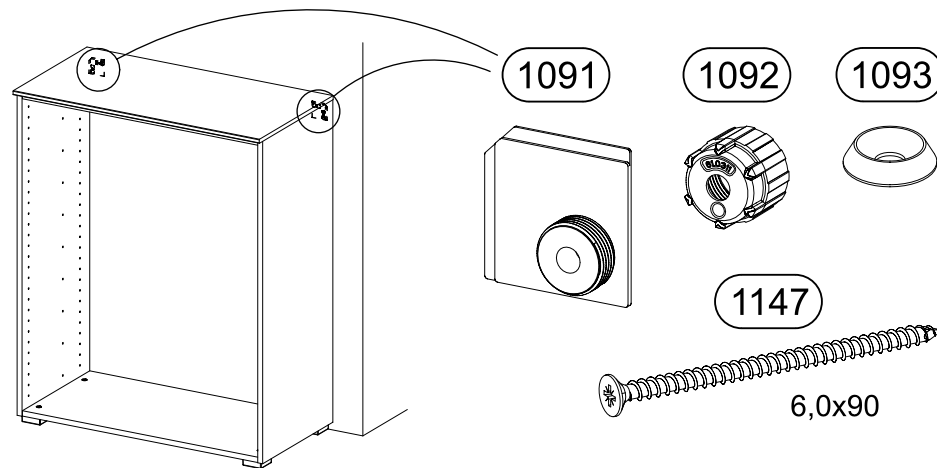
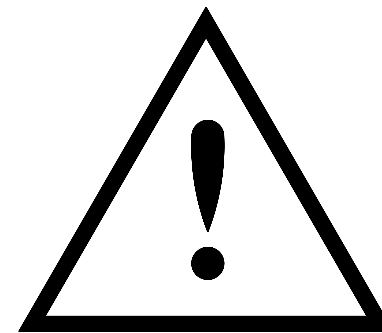
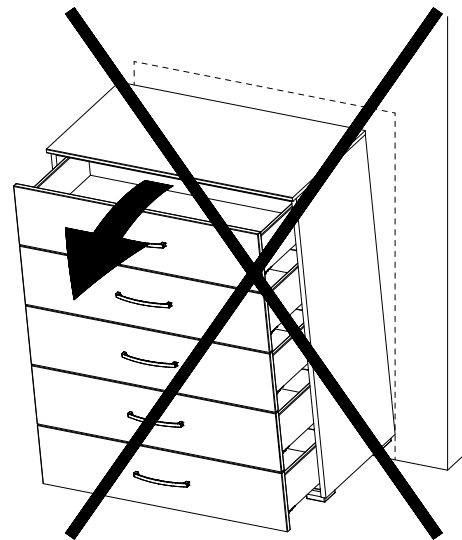
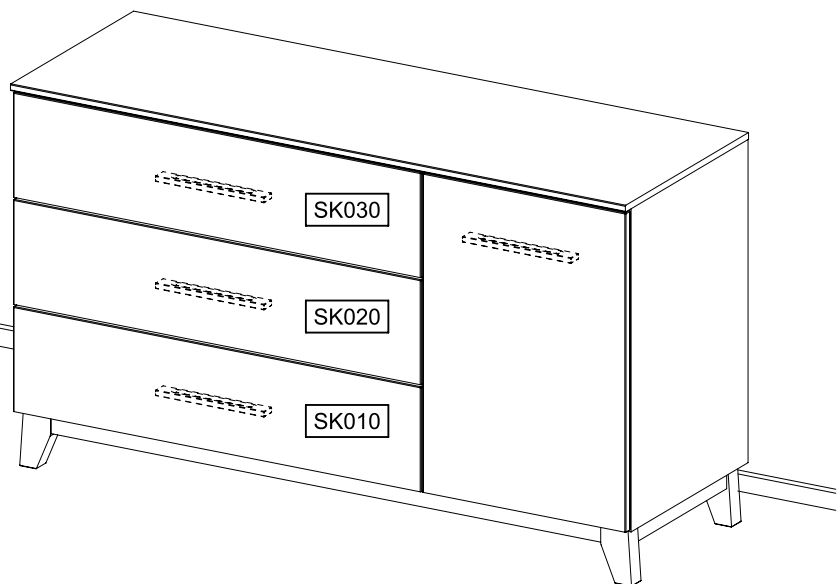
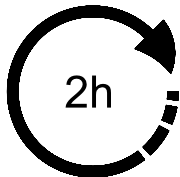
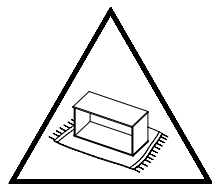
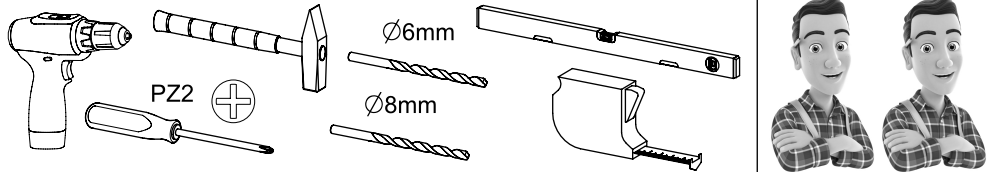


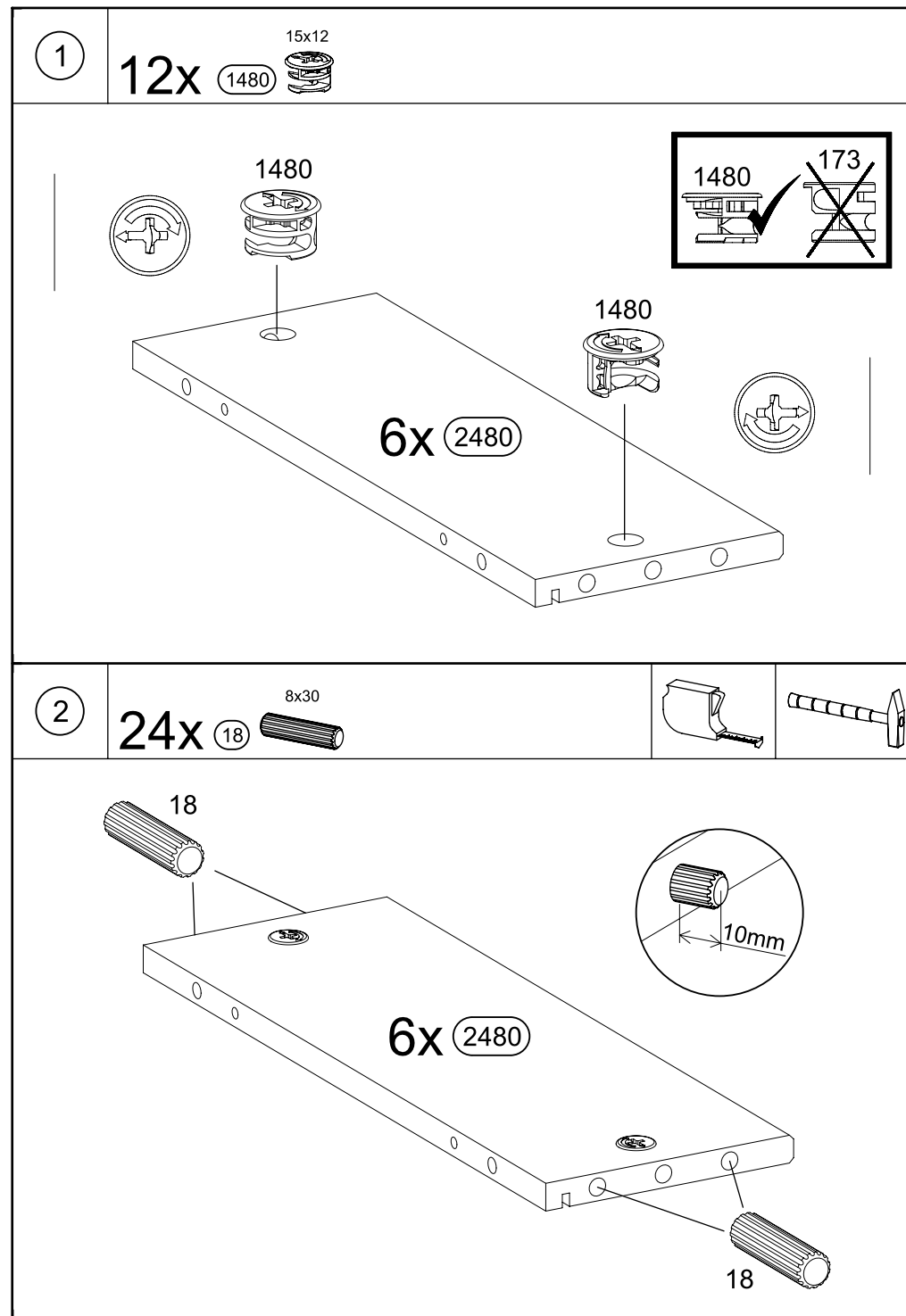
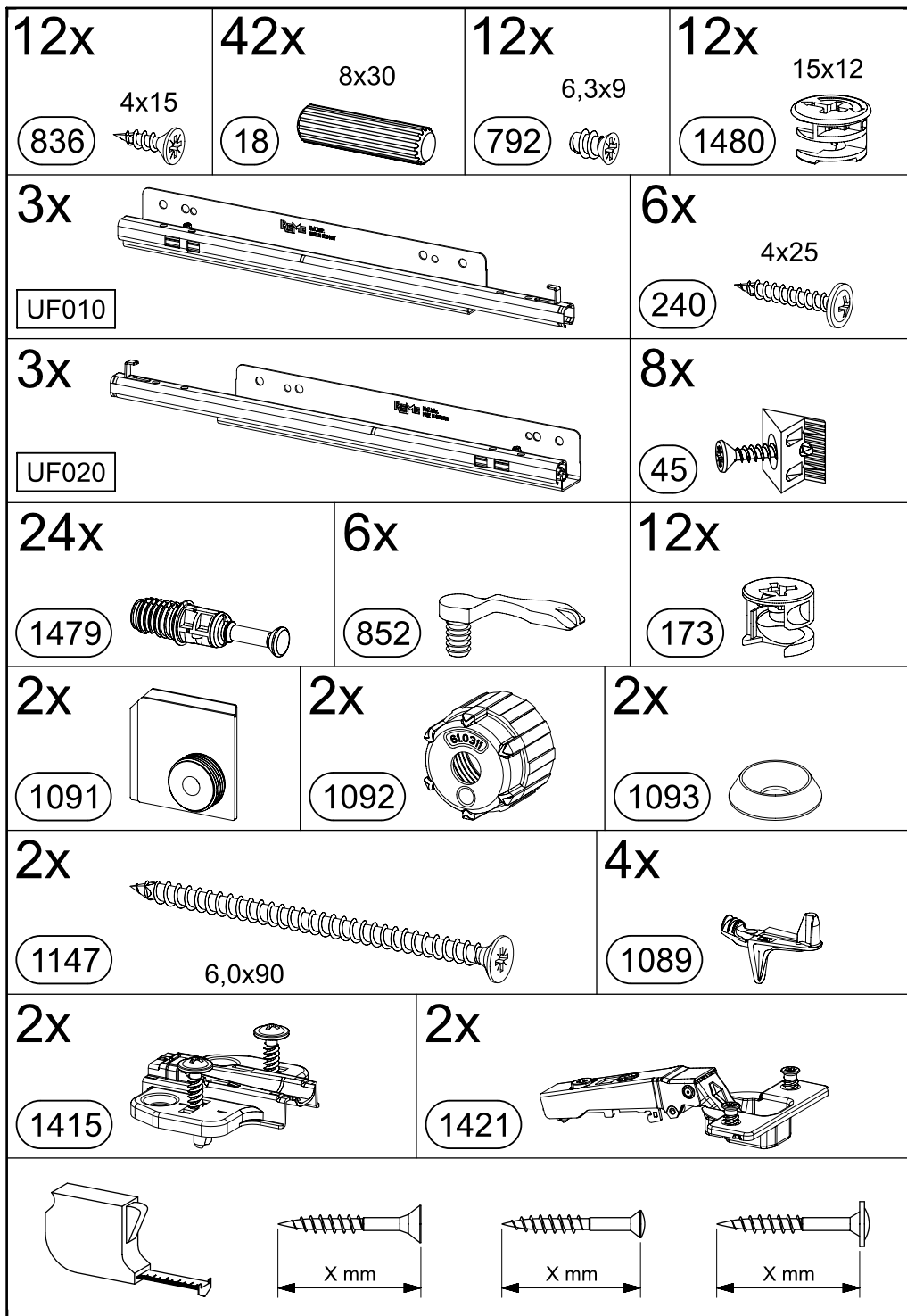
M3127_01

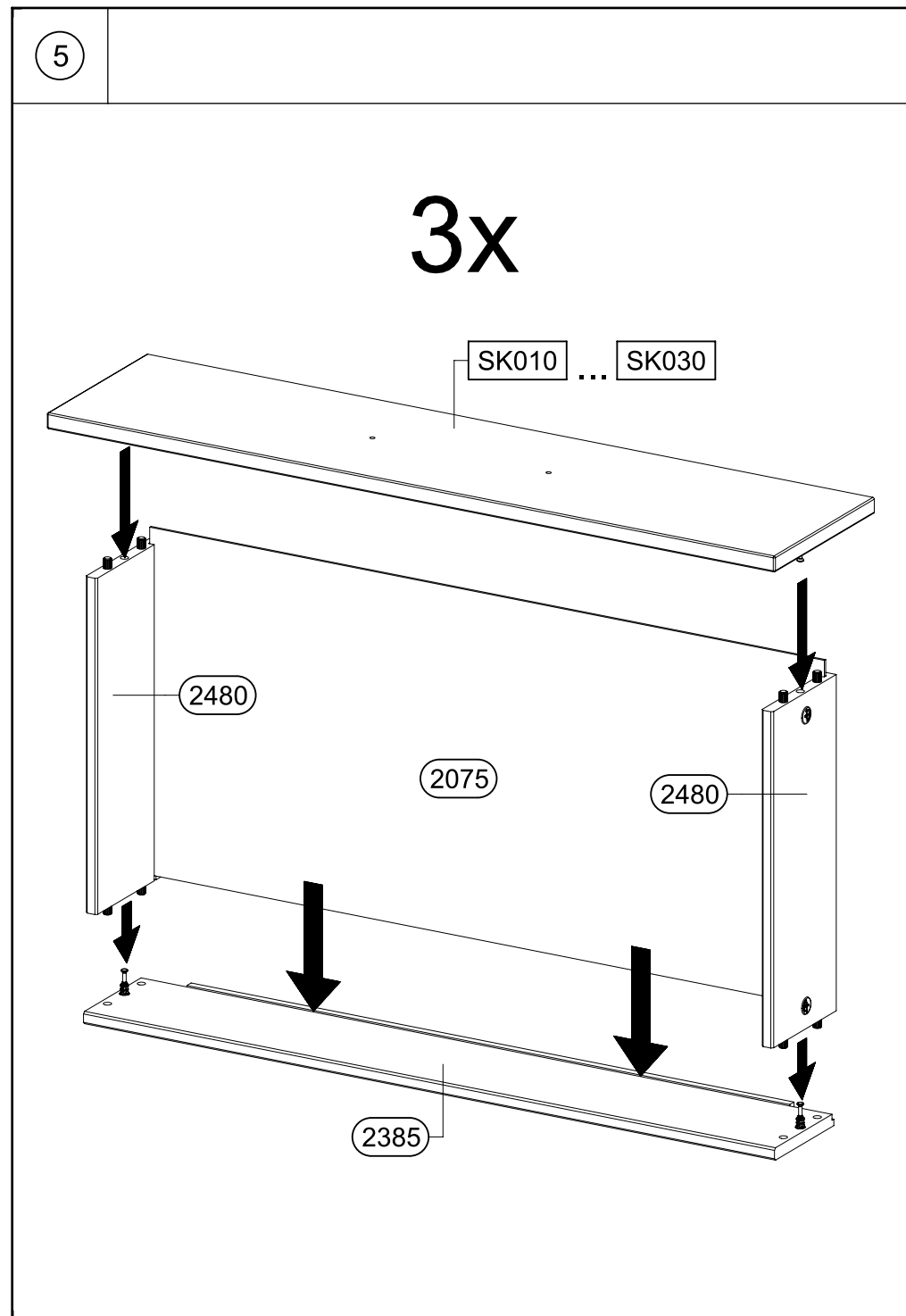
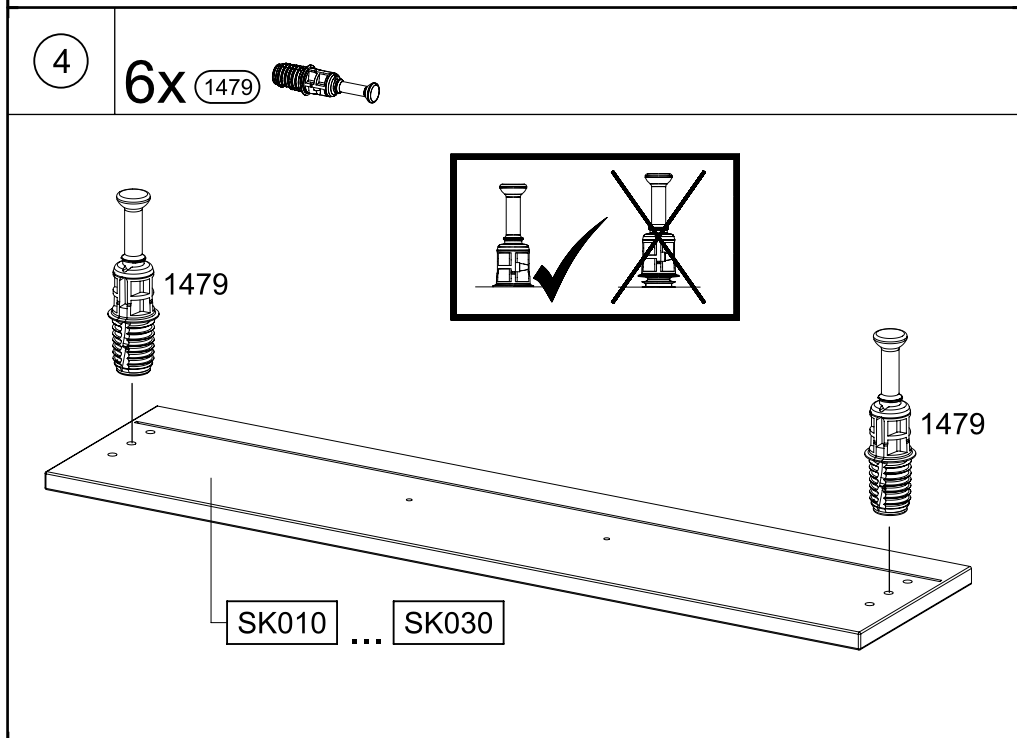
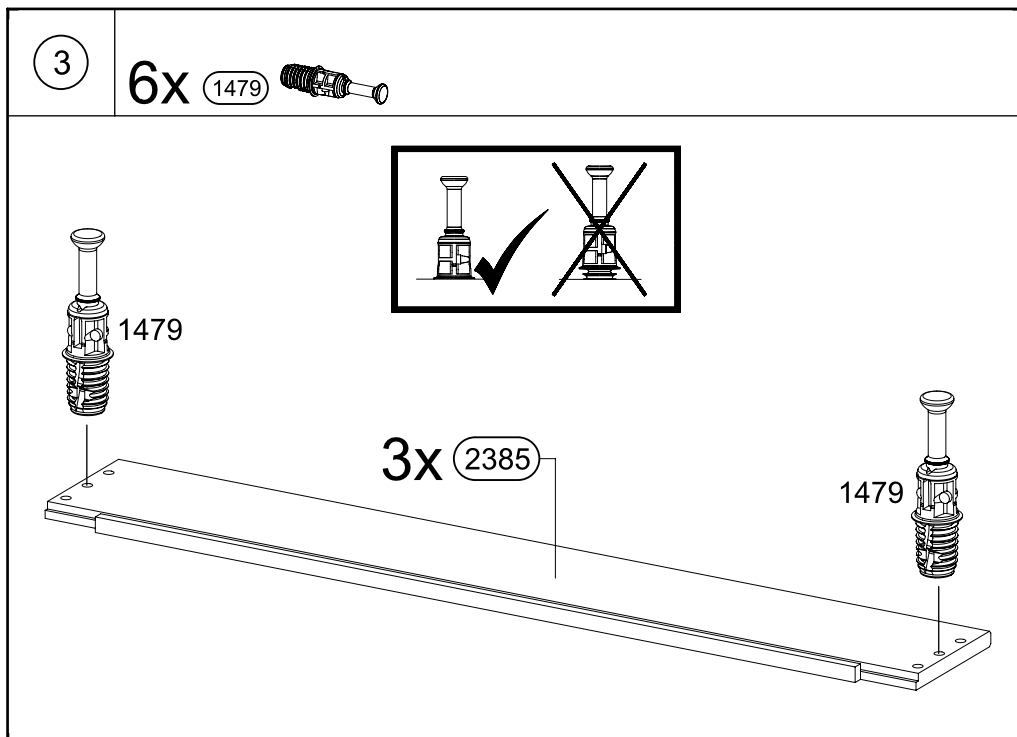


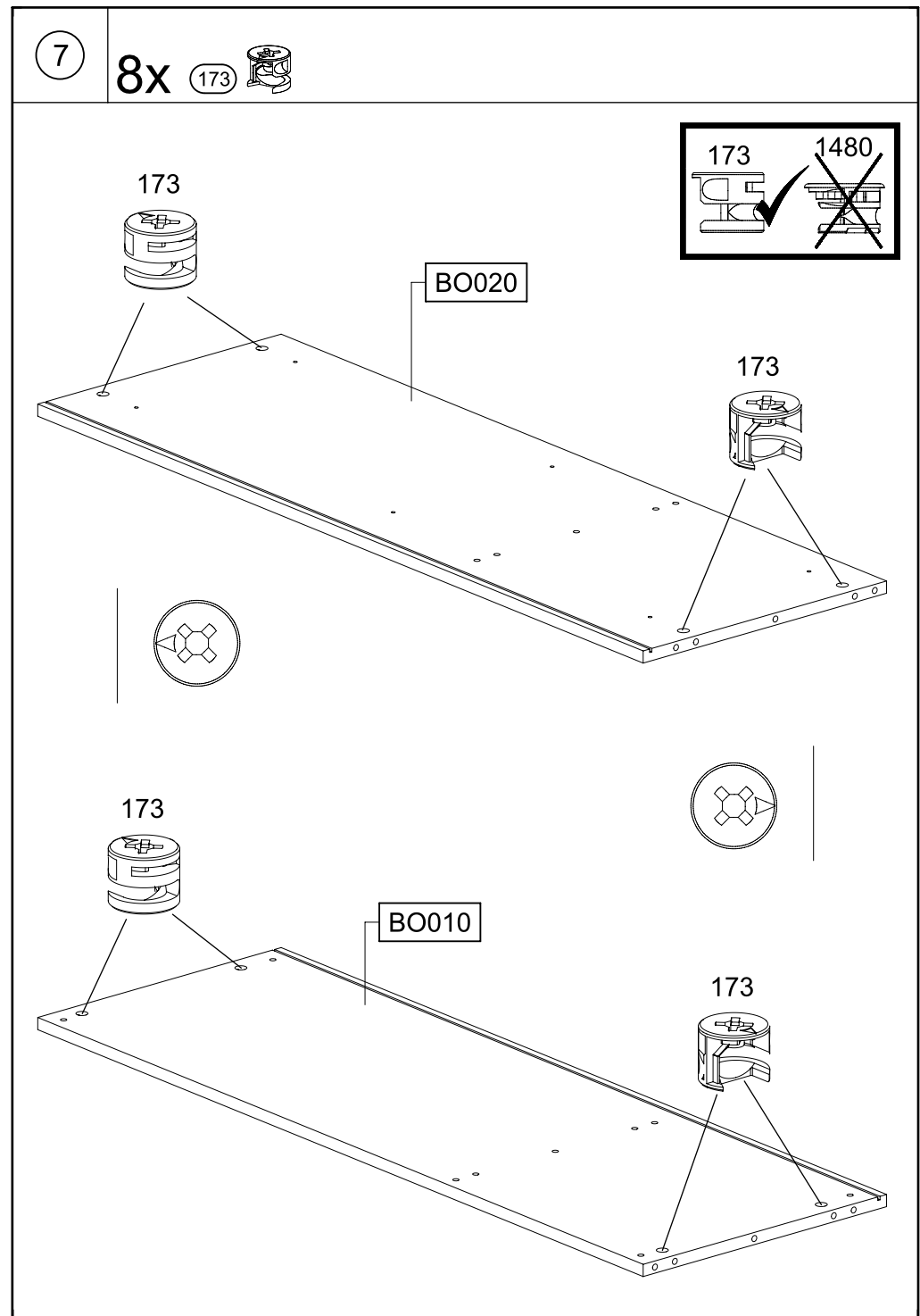
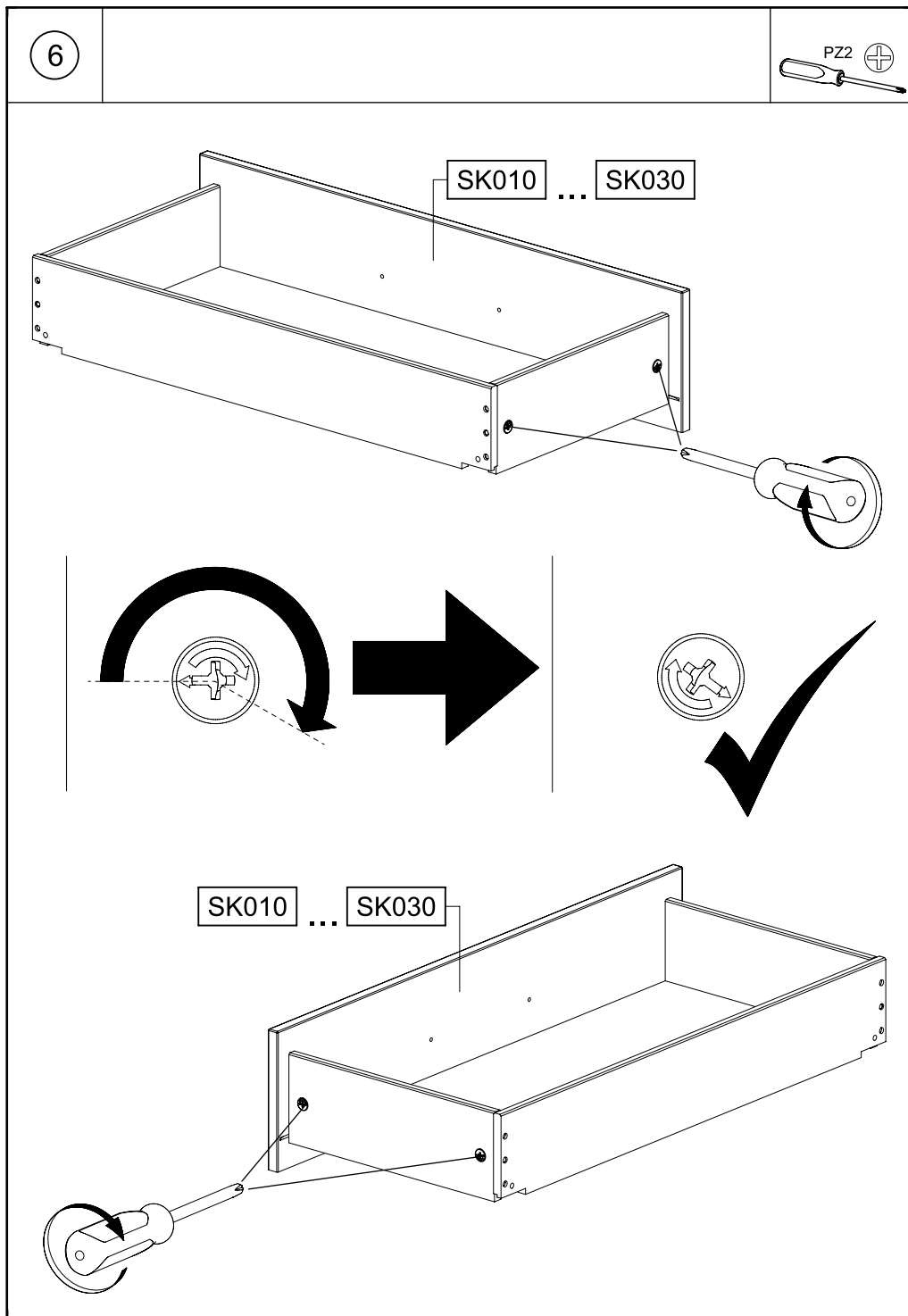
VIDEO

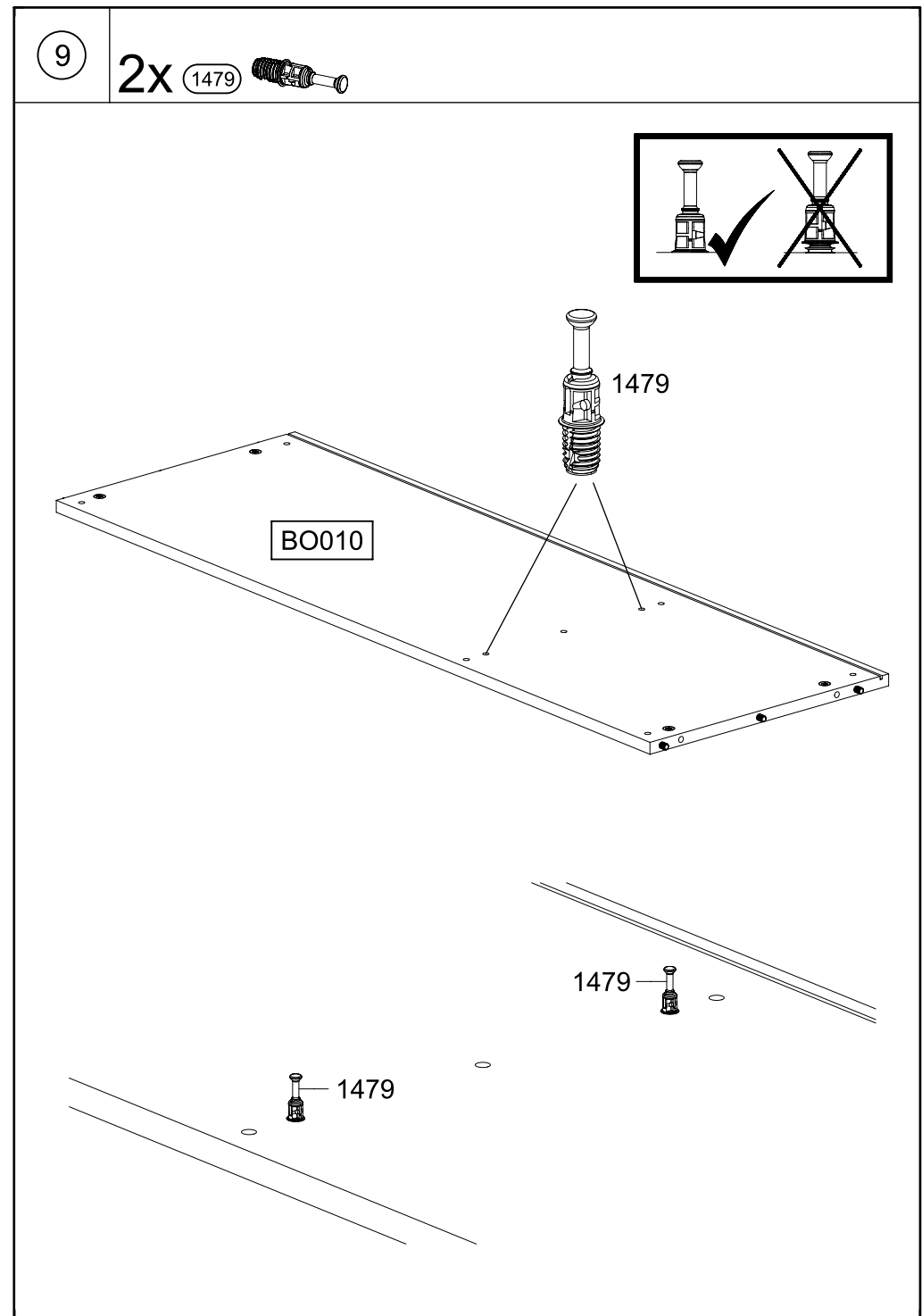
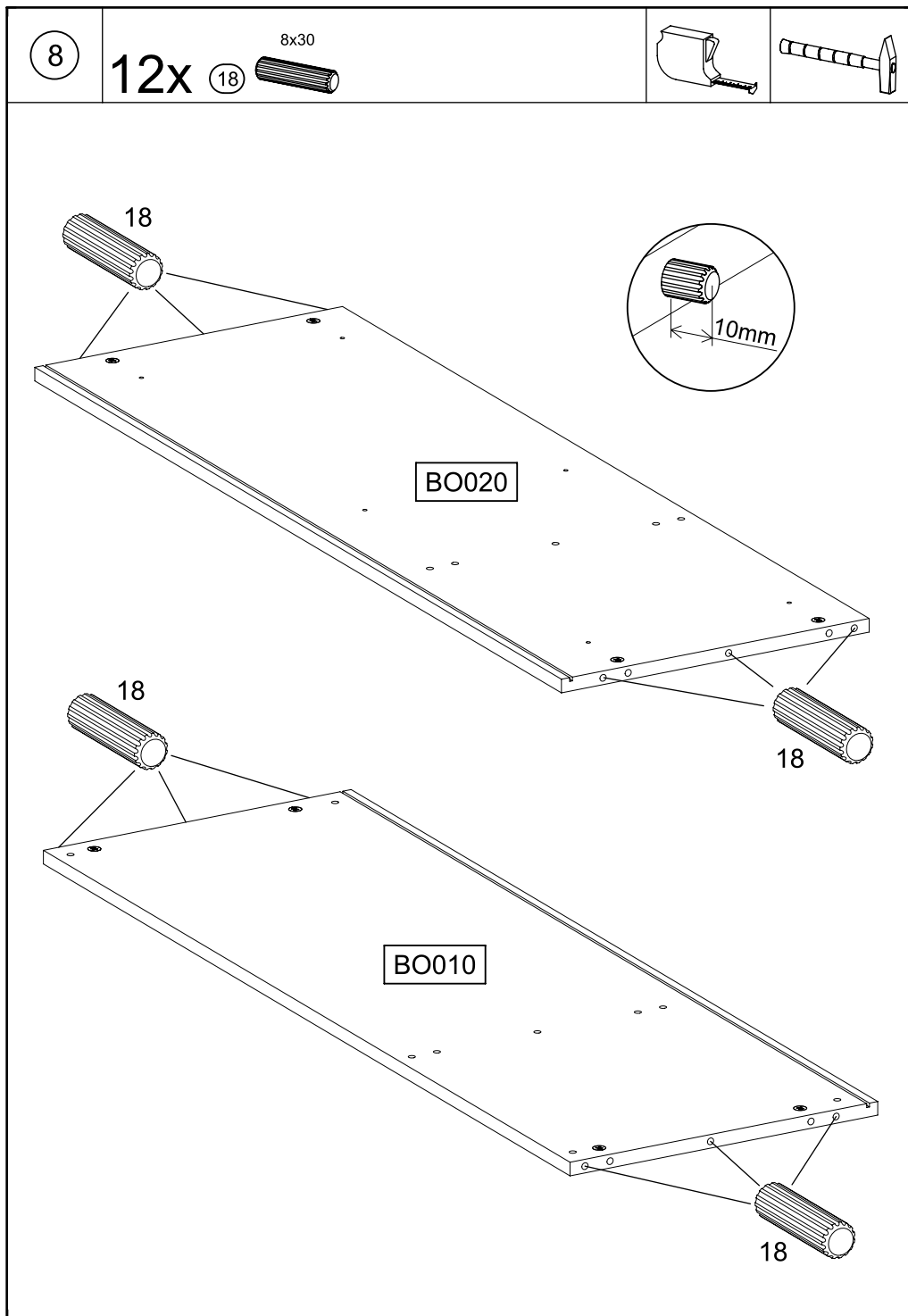


SCAN ME



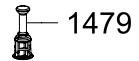
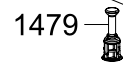
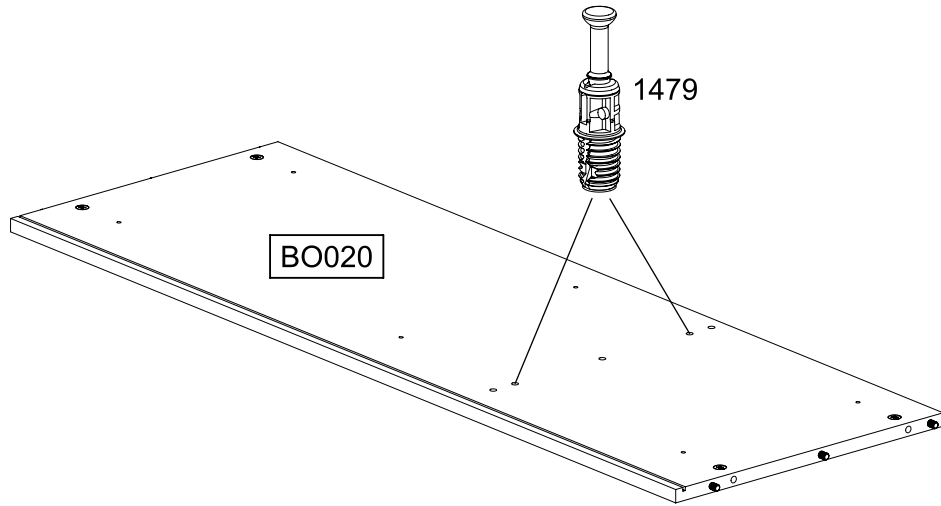
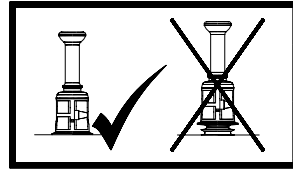







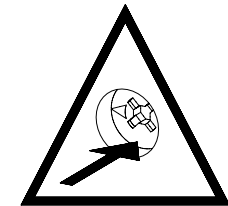
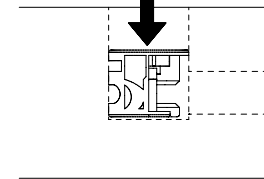
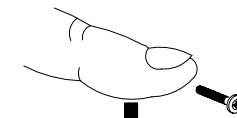
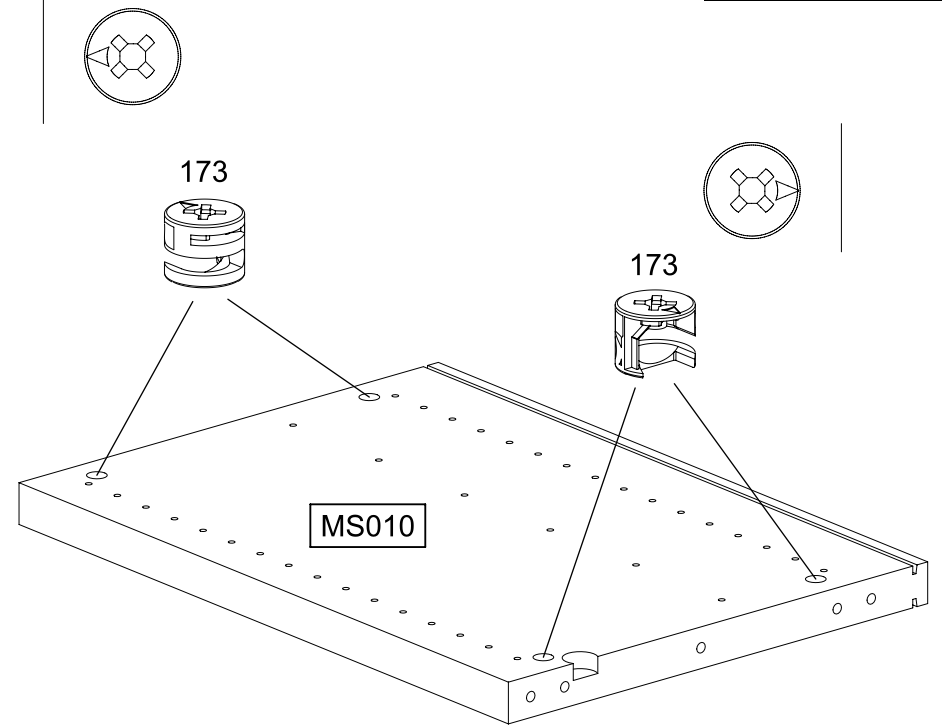
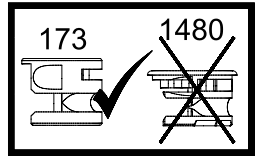
10

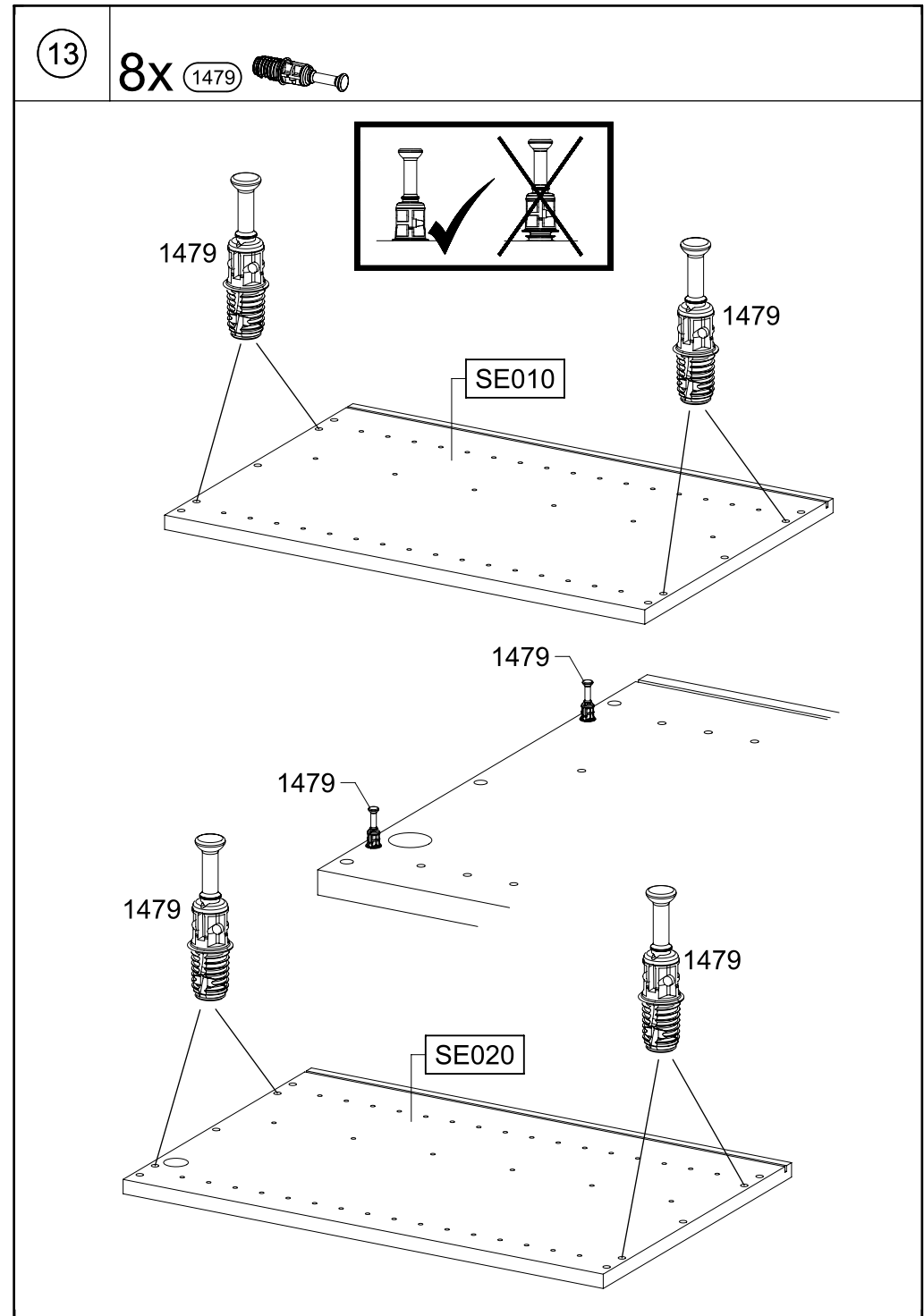
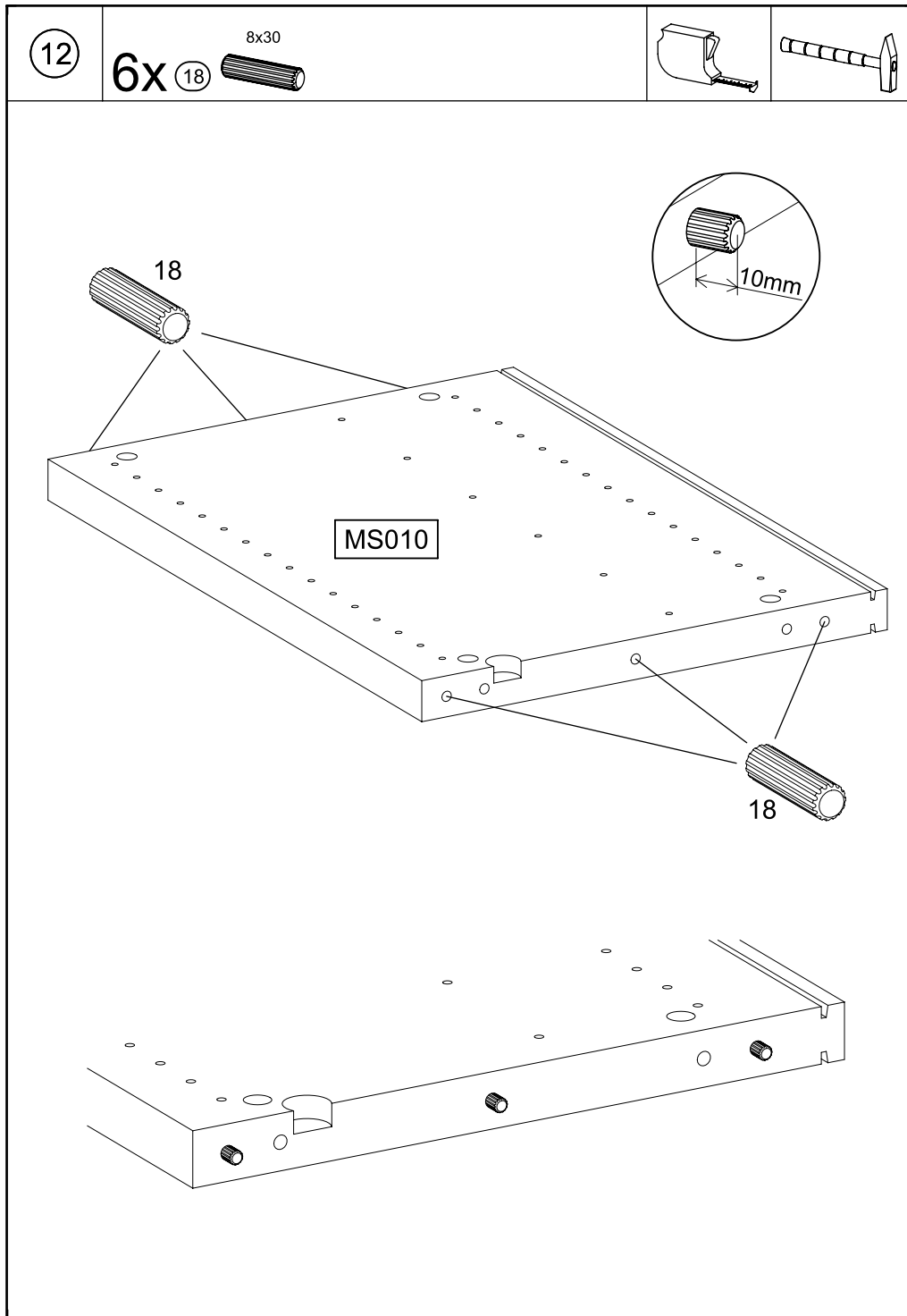
2x 1479 

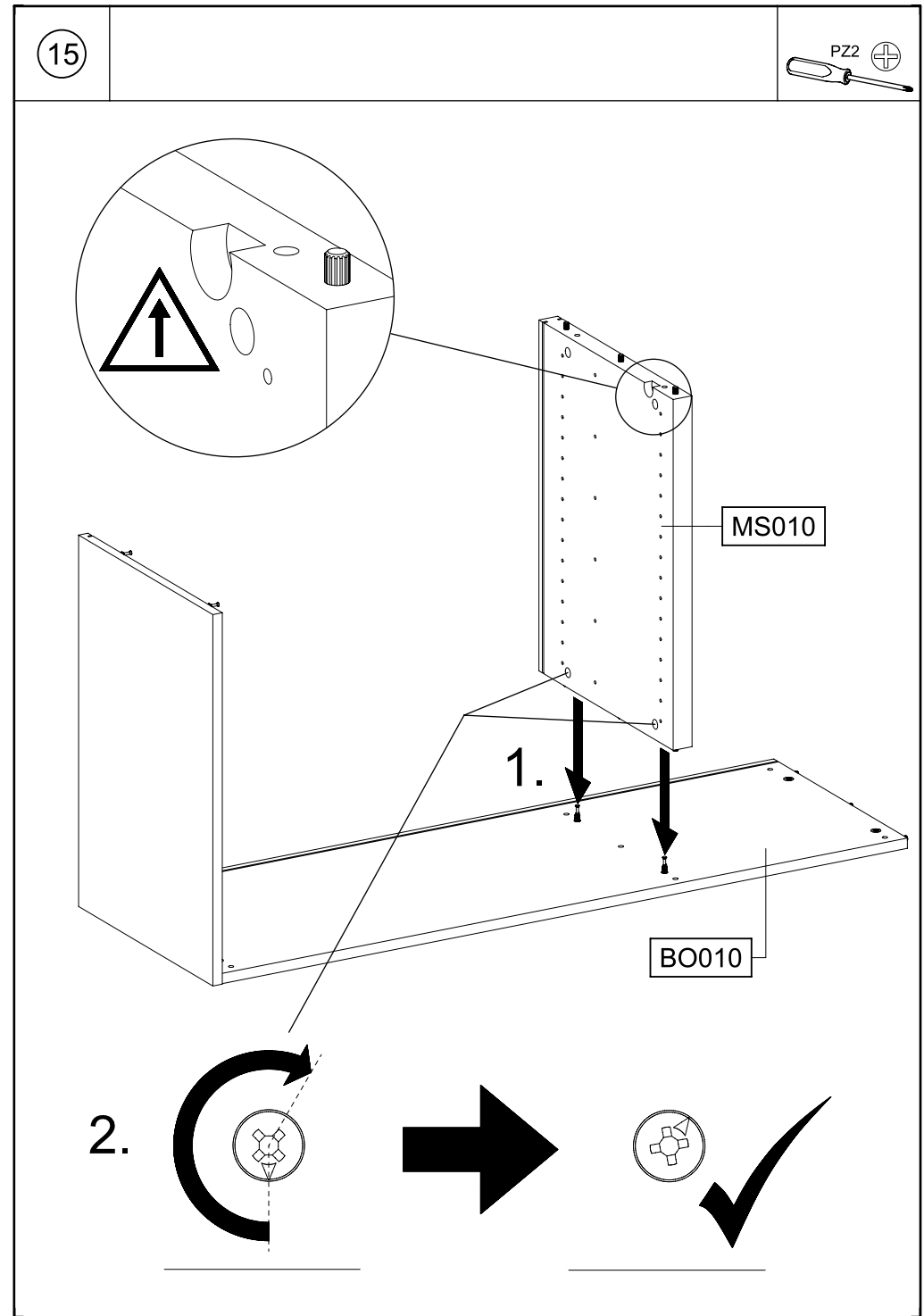
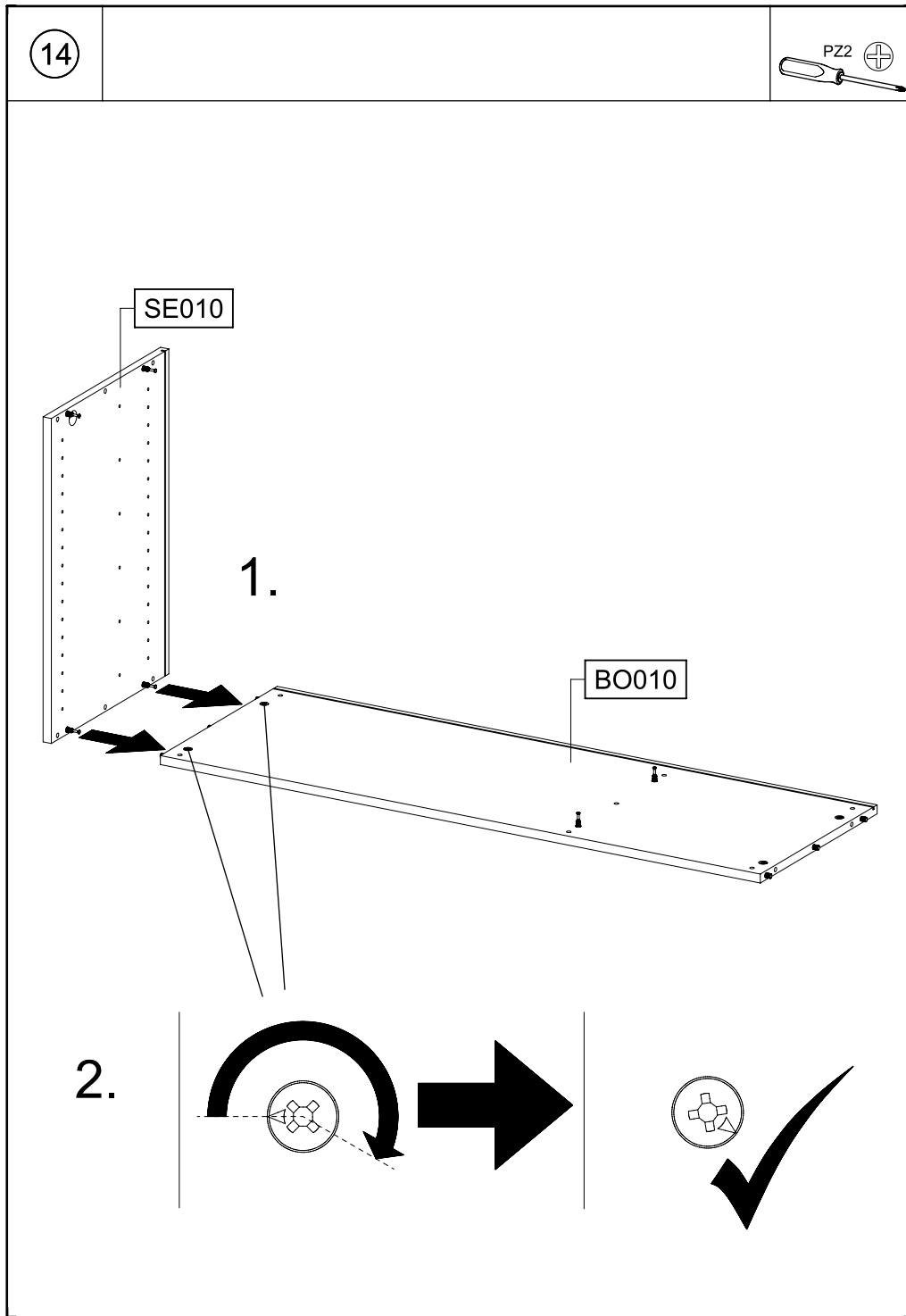


11

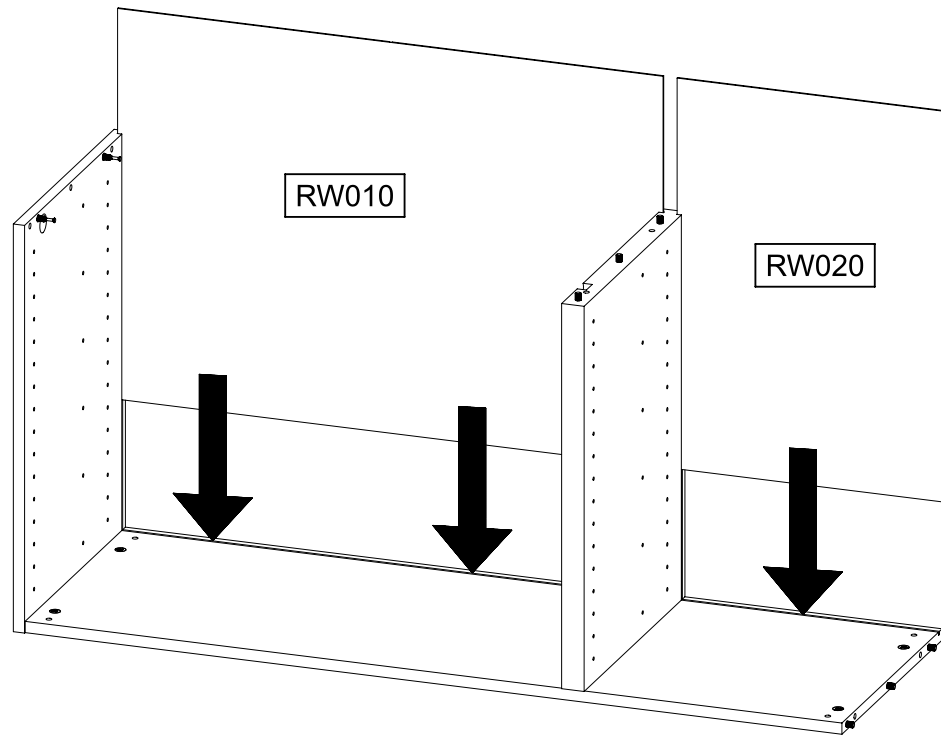
4x 173 



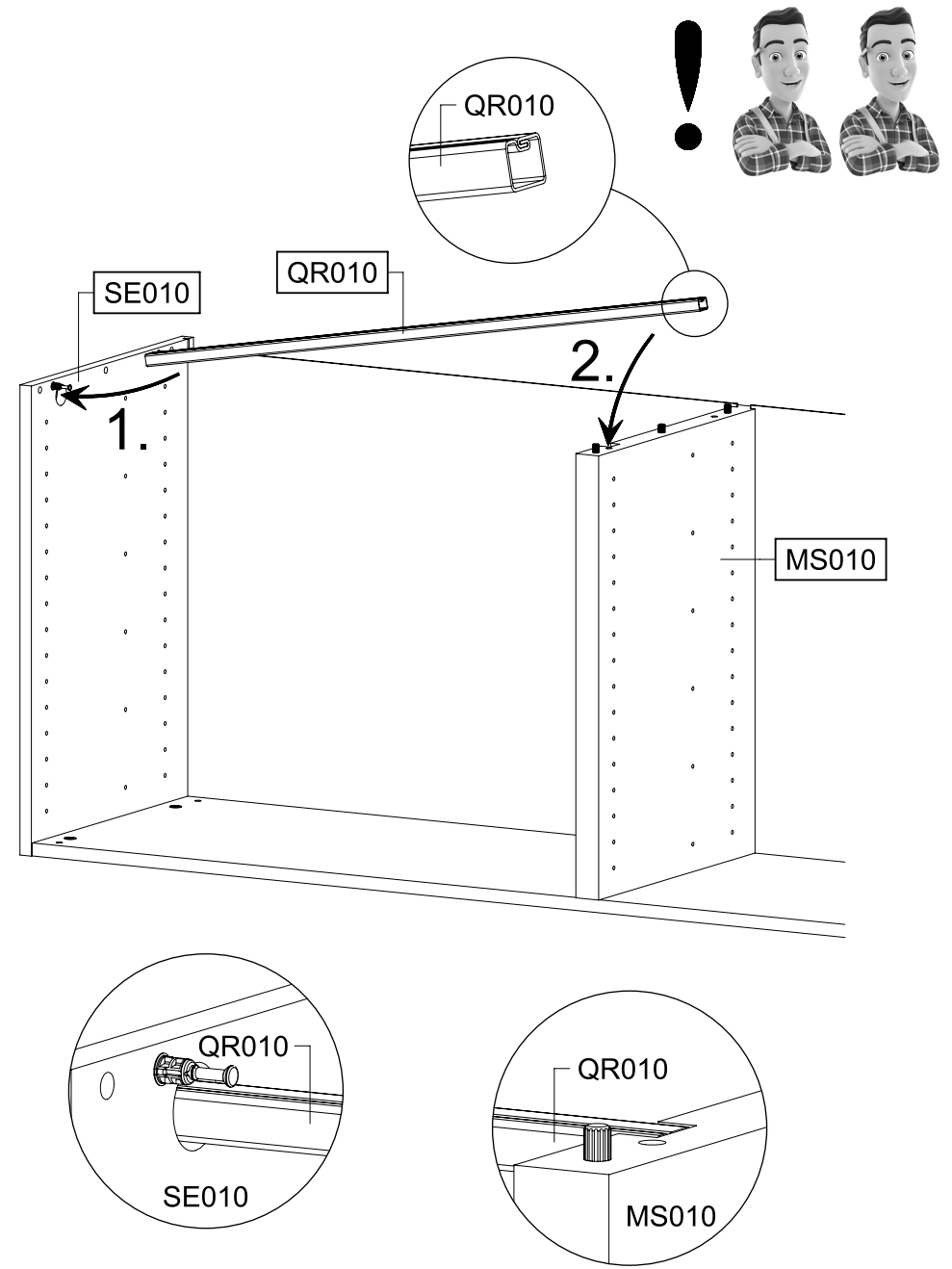




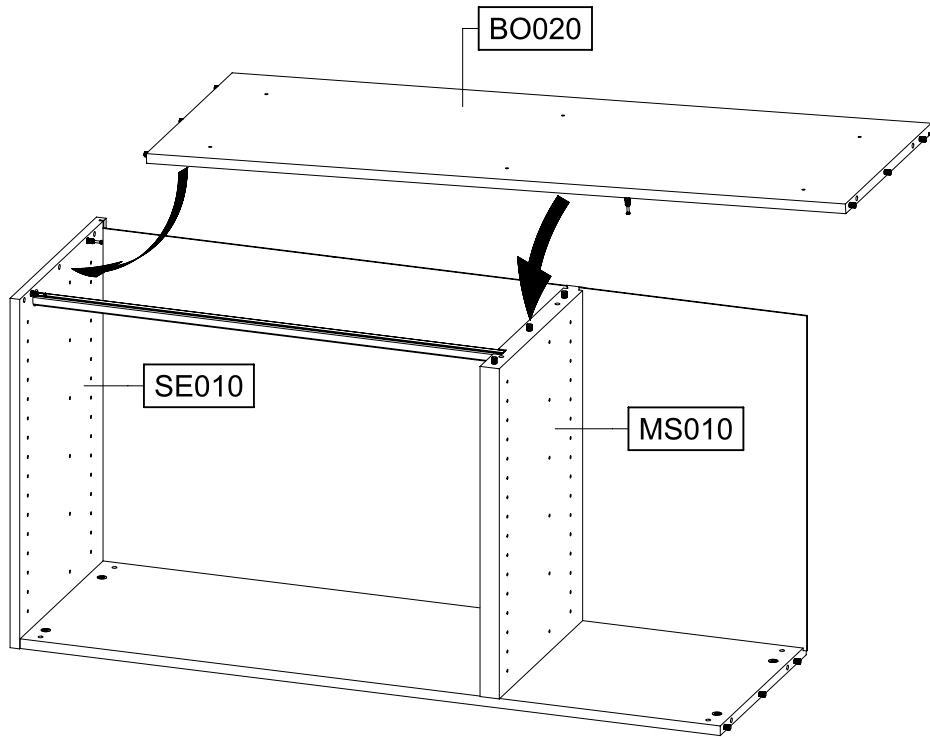
16



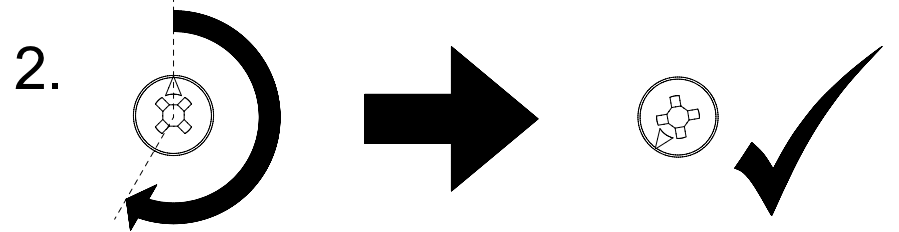
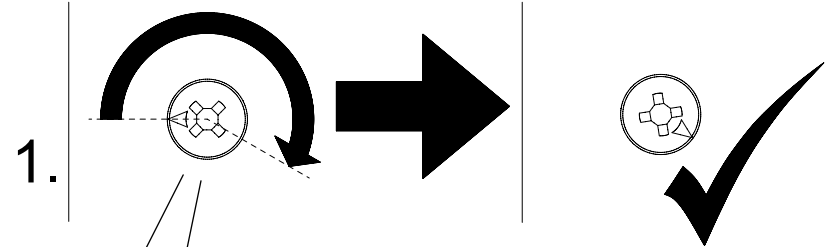
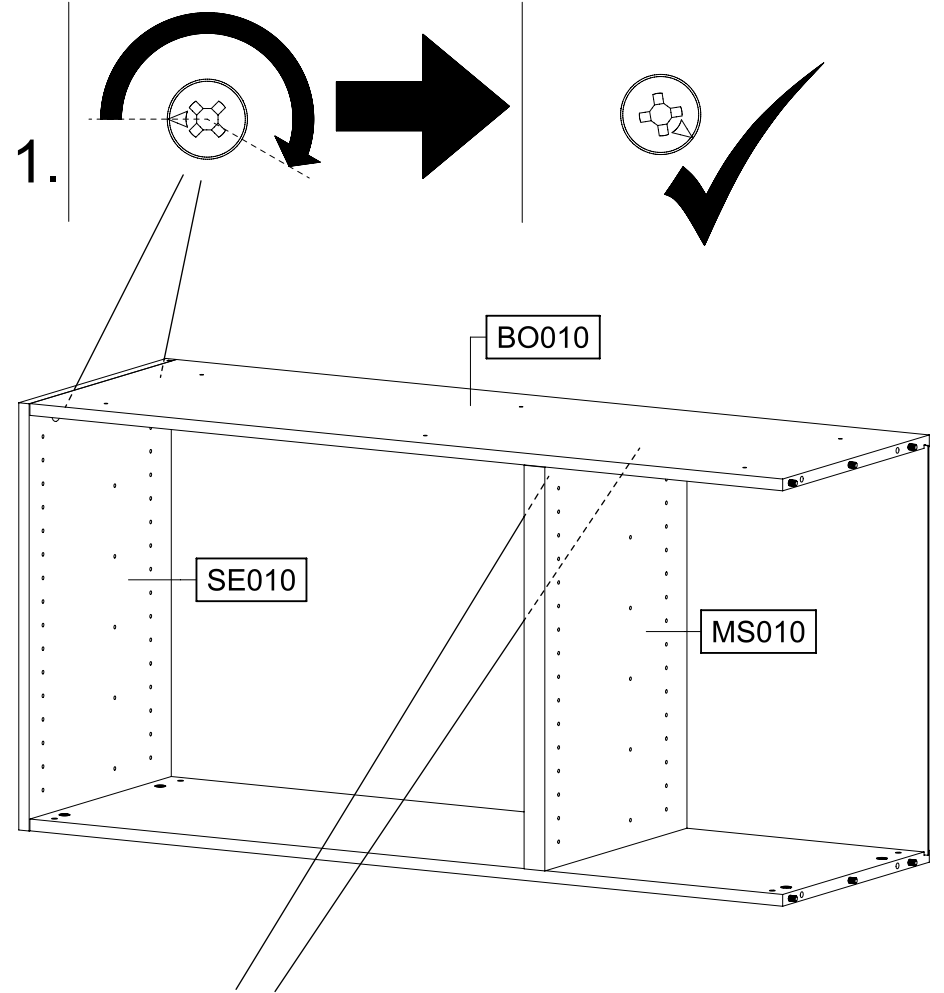
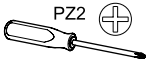
17



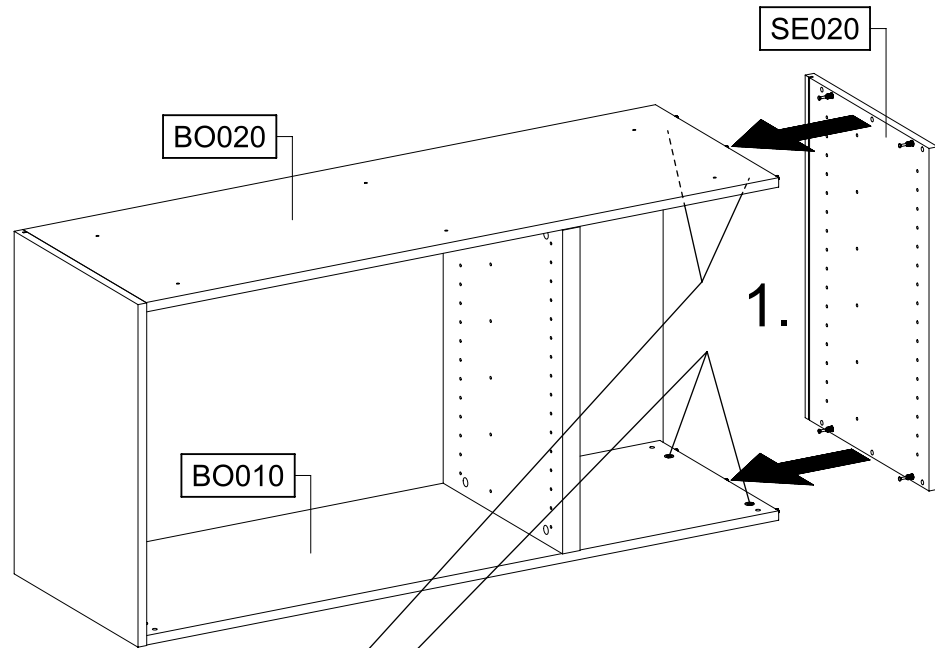
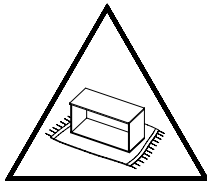
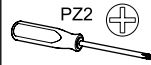
18



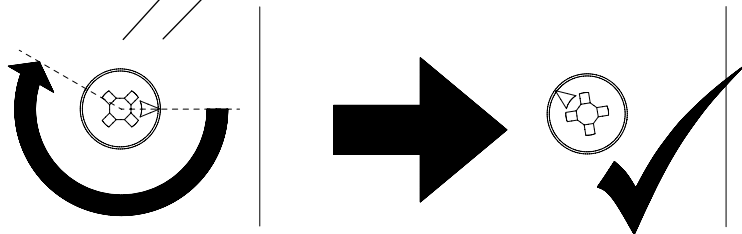
19



20



2.

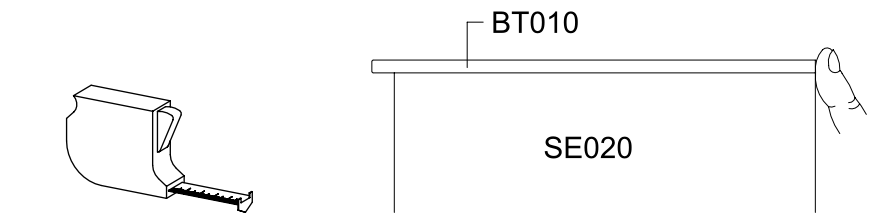
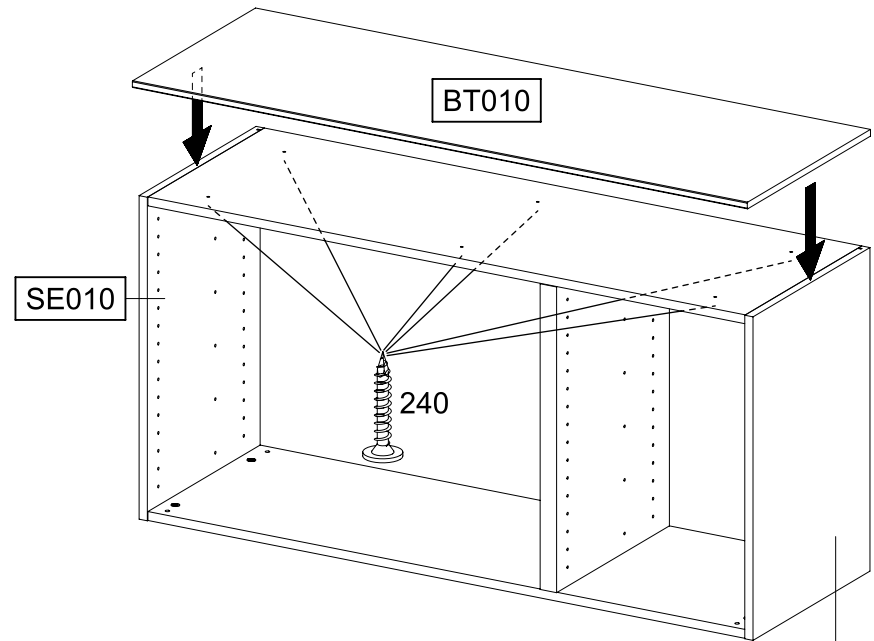
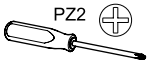
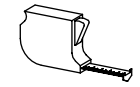


21

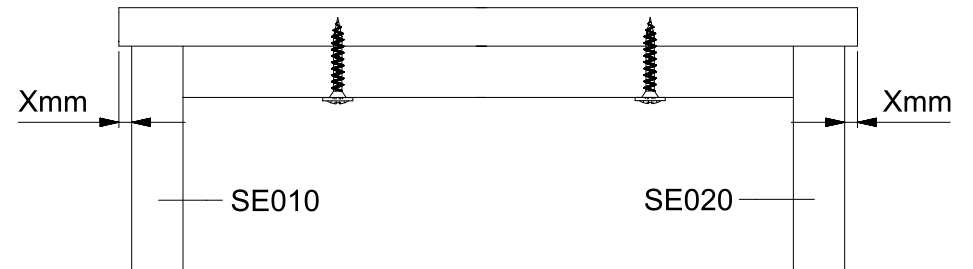
6x

240

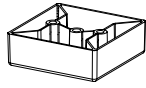
4x25



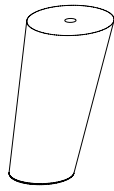
Xmm=Xmm



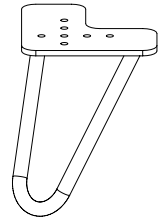
22



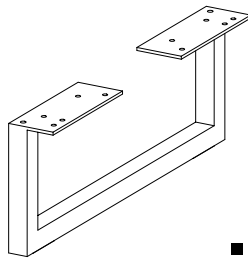
1207



1481

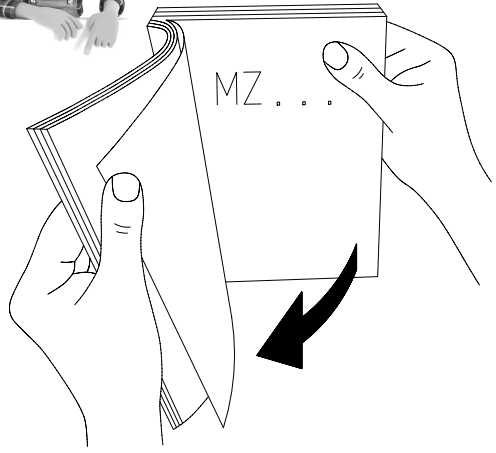


1345



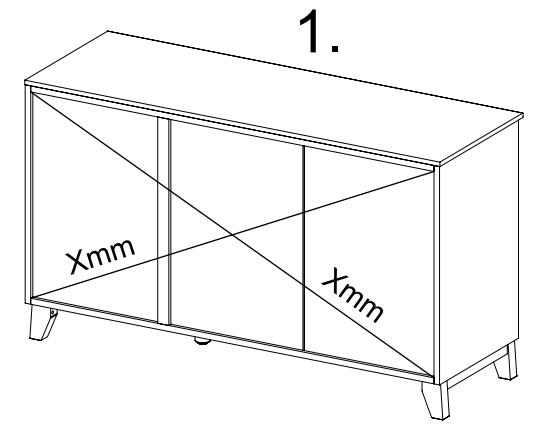
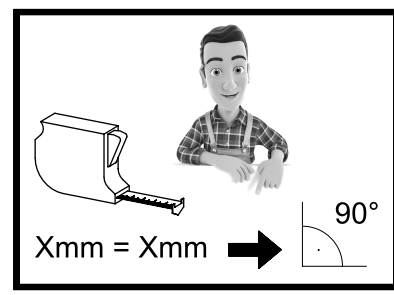
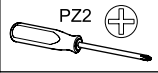
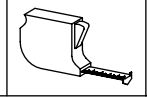
1348

...

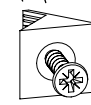
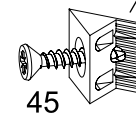


23

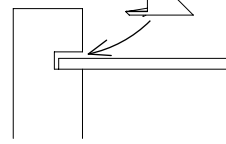
4x 45



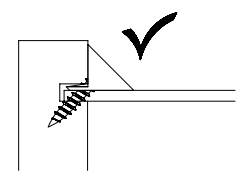
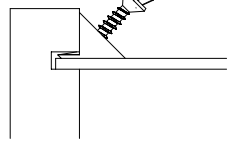
2.



2.



3.



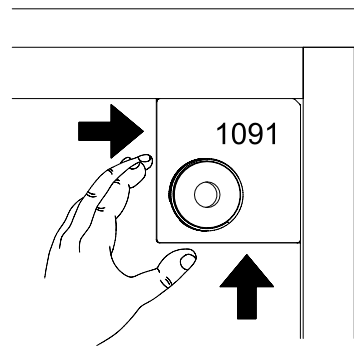
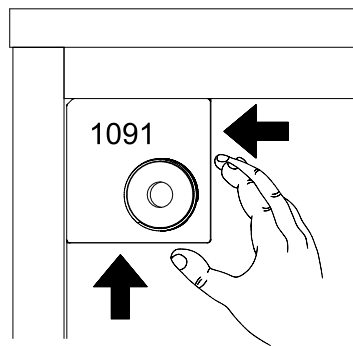
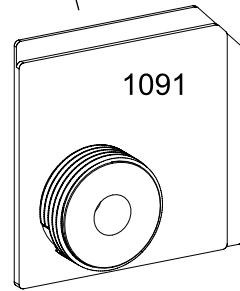
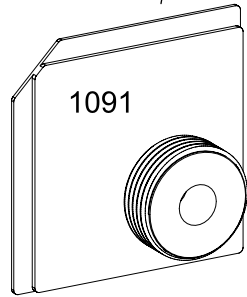
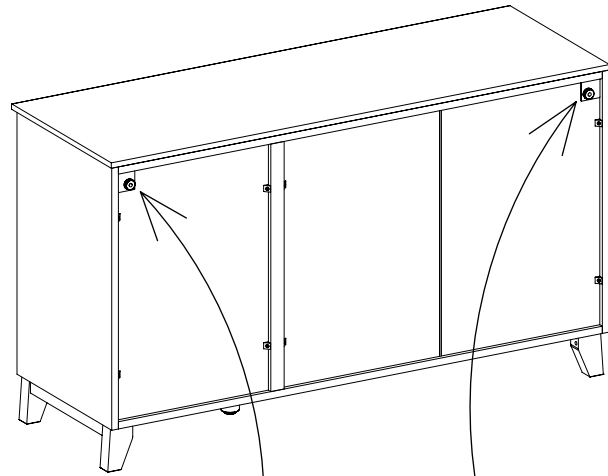
24

2x

1091



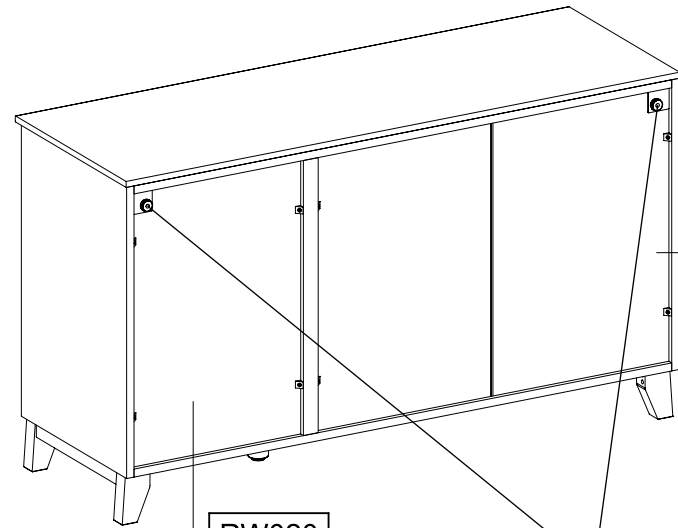
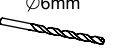
SCAN ME



25



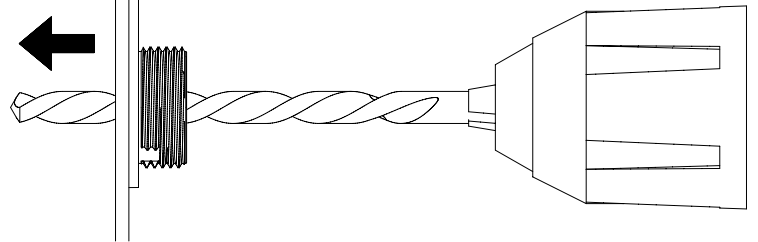
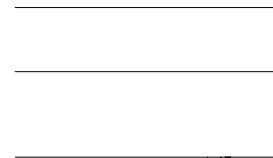
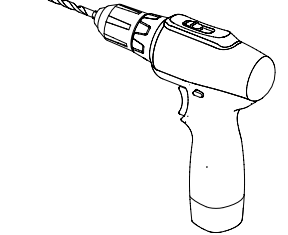
Ø6mm

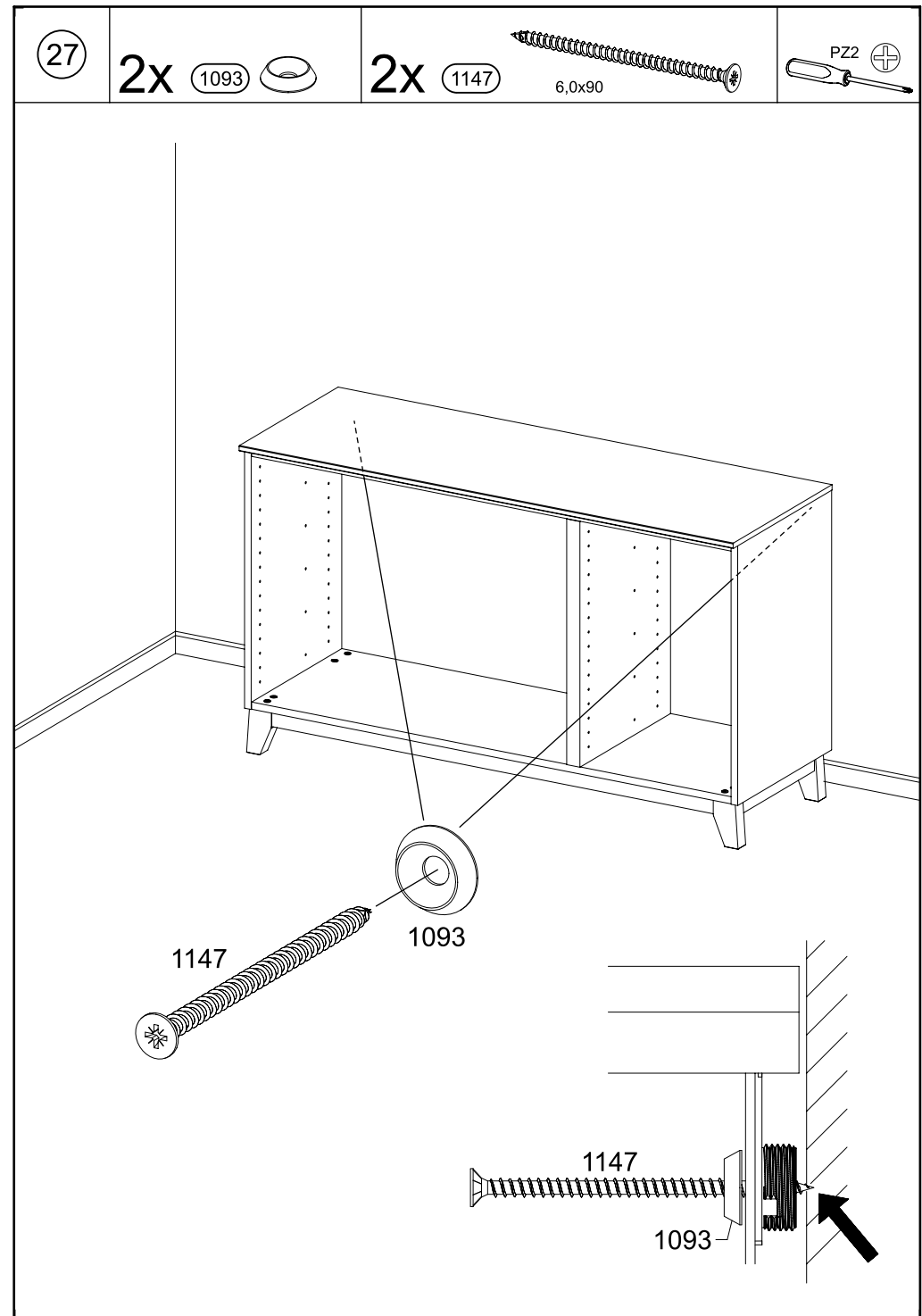
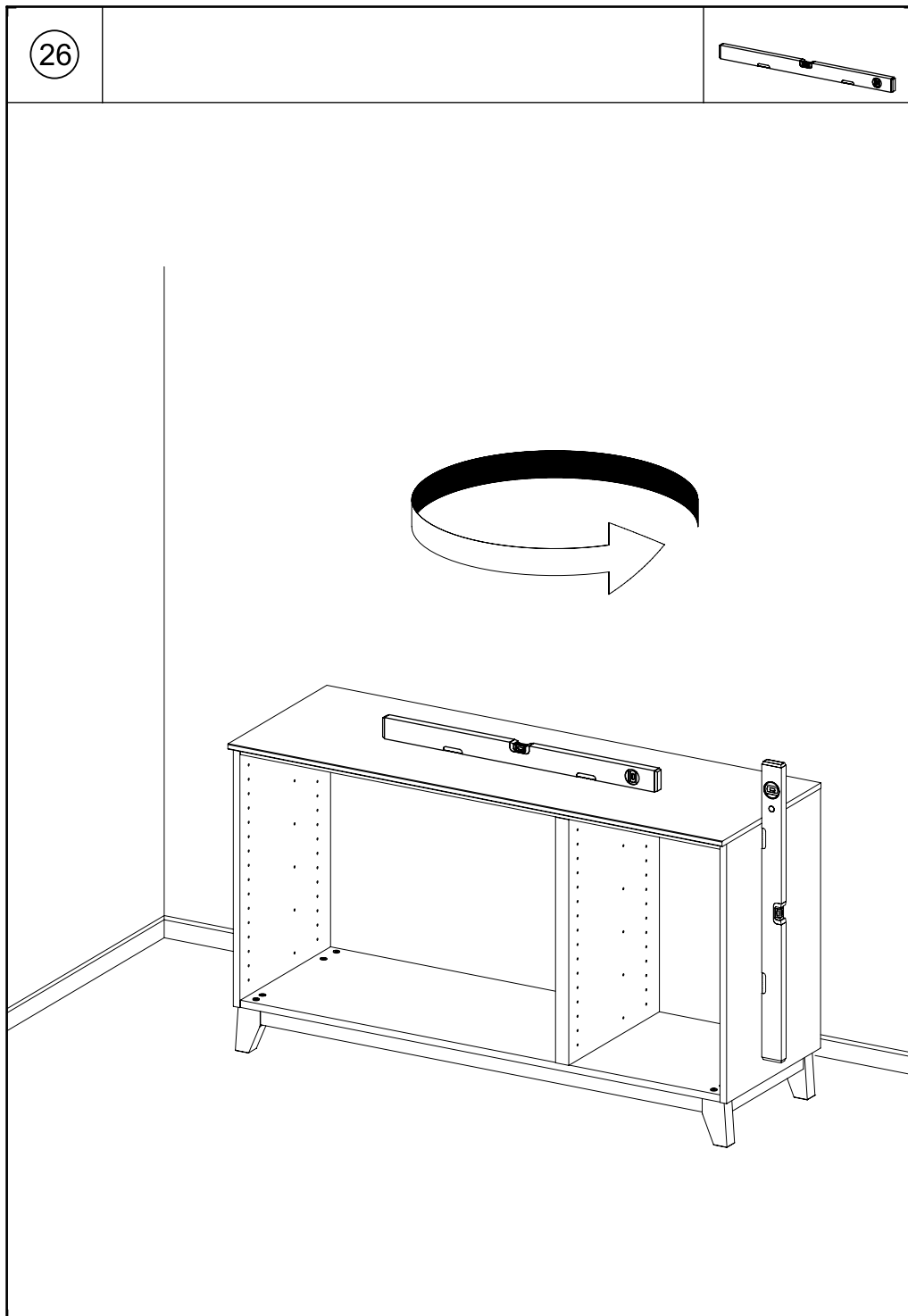


RW020

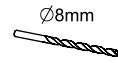
RW010

Ø 6mm

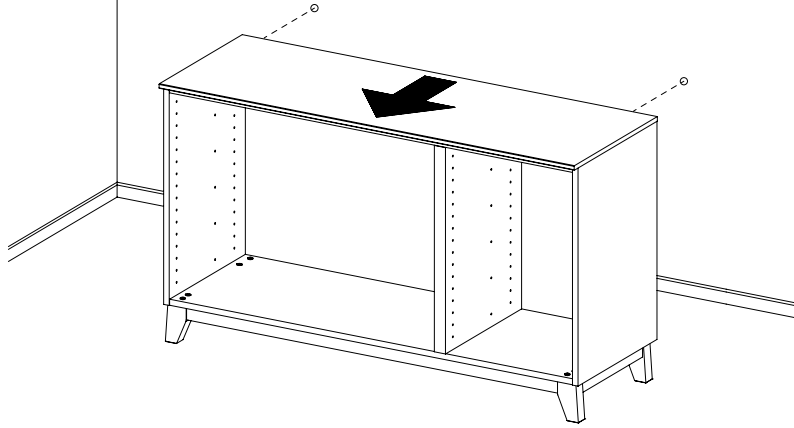




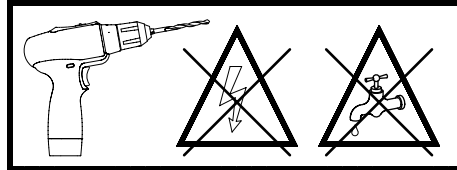
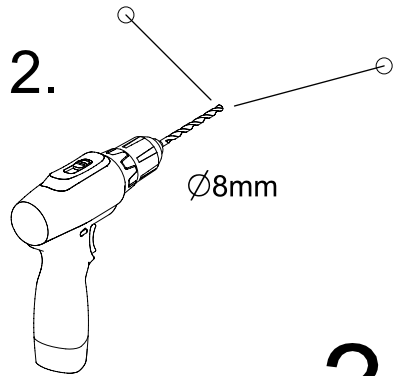
28



1.

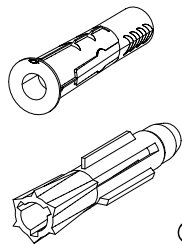
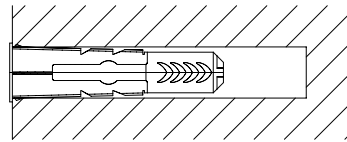


2.



?

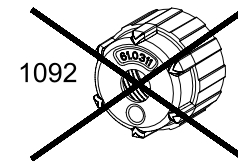
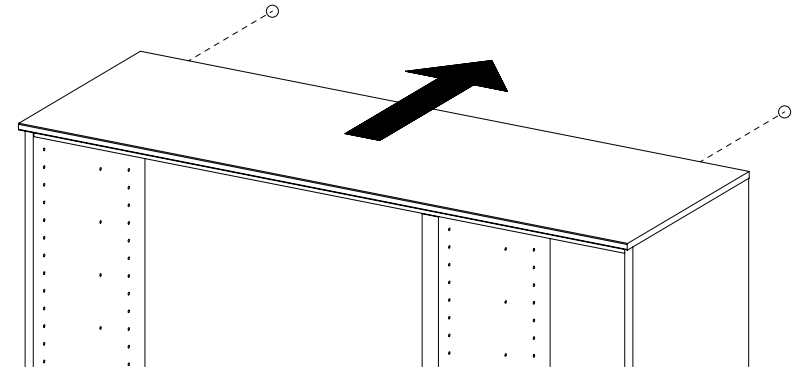
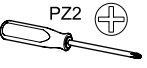
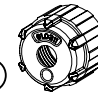
3.



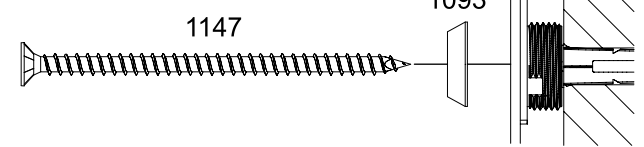
Ø8mm

29

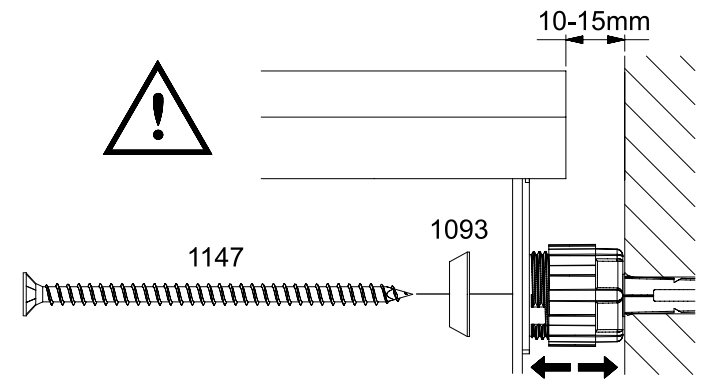
2x 1092

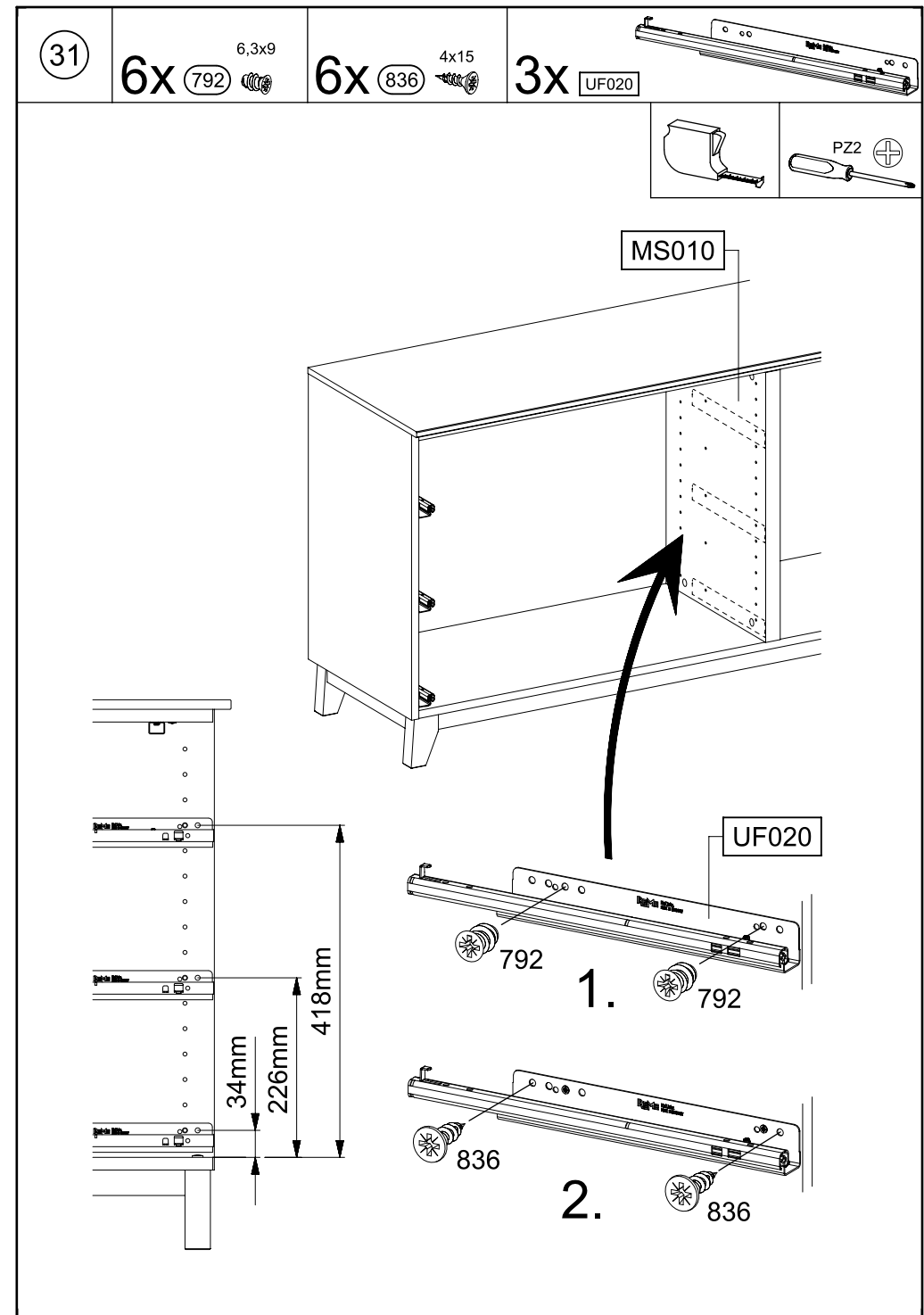
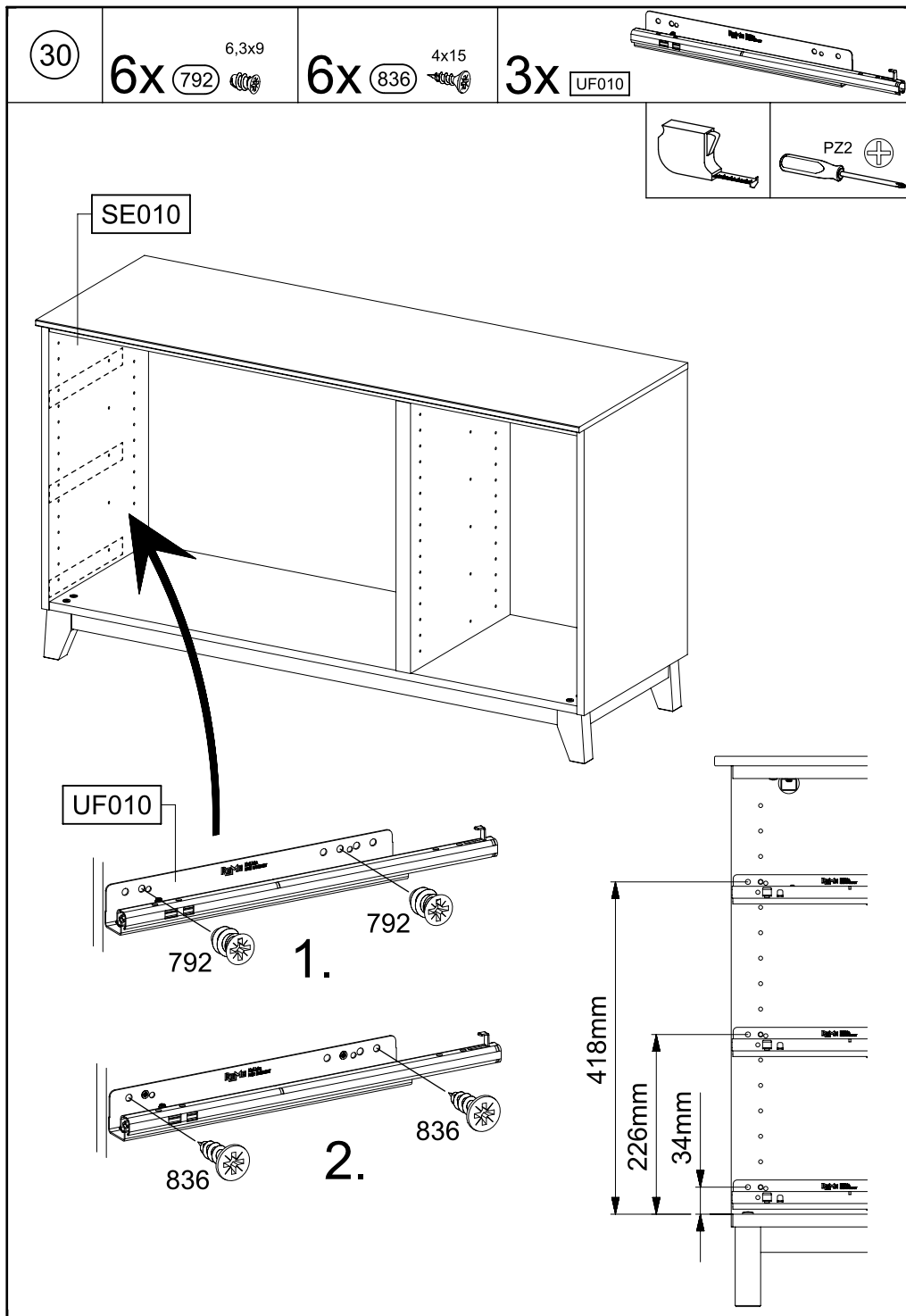


2.



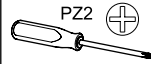
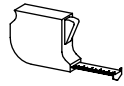
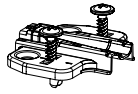
2.





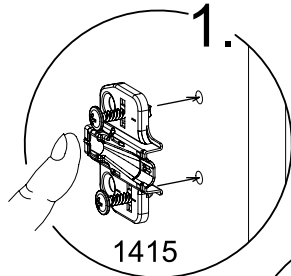
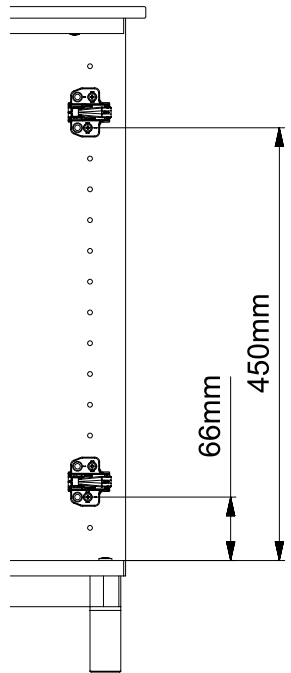
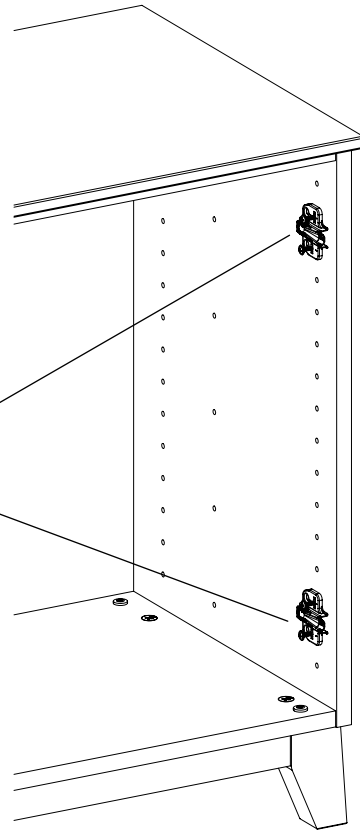
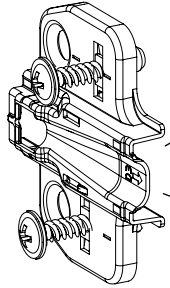
32

2x 1415

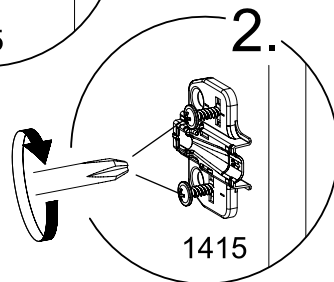


SCAN ME

1415



1415



1415

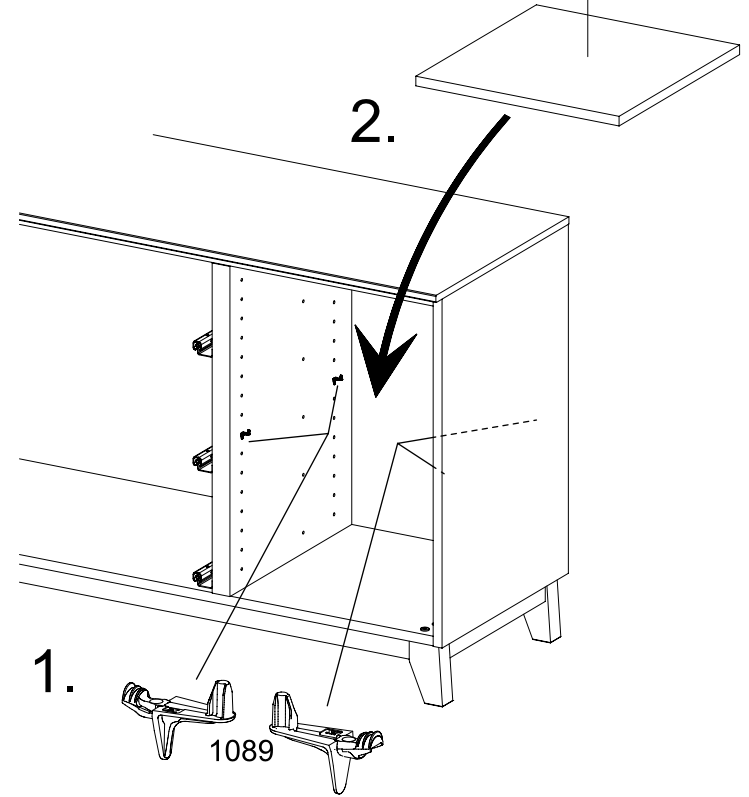
33

8x 1089

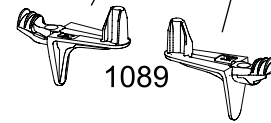


WA010

2.



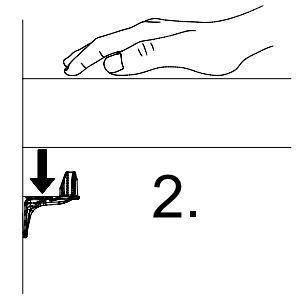
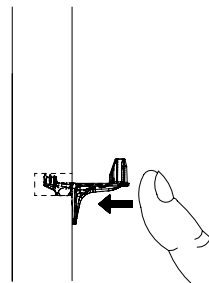
1.



1089

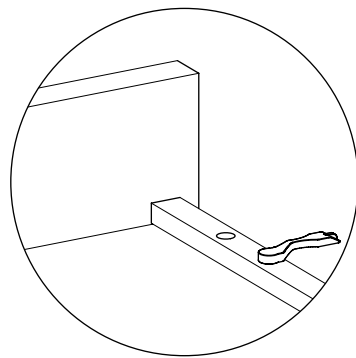
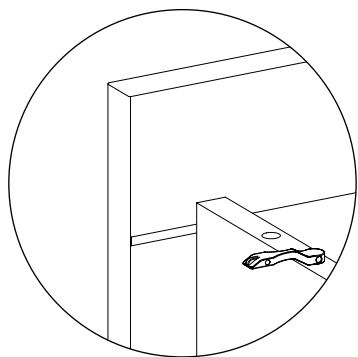
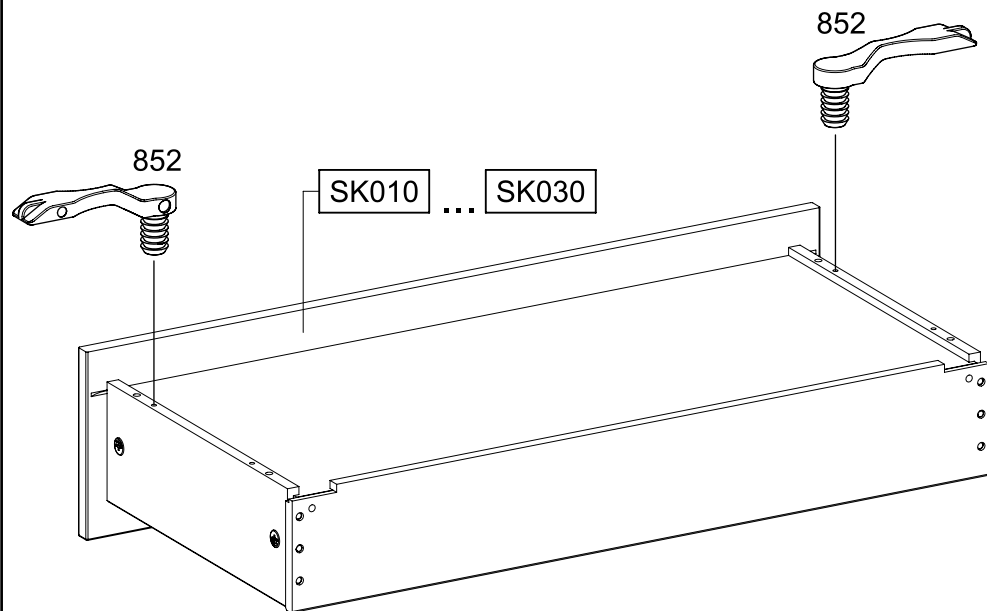


1.

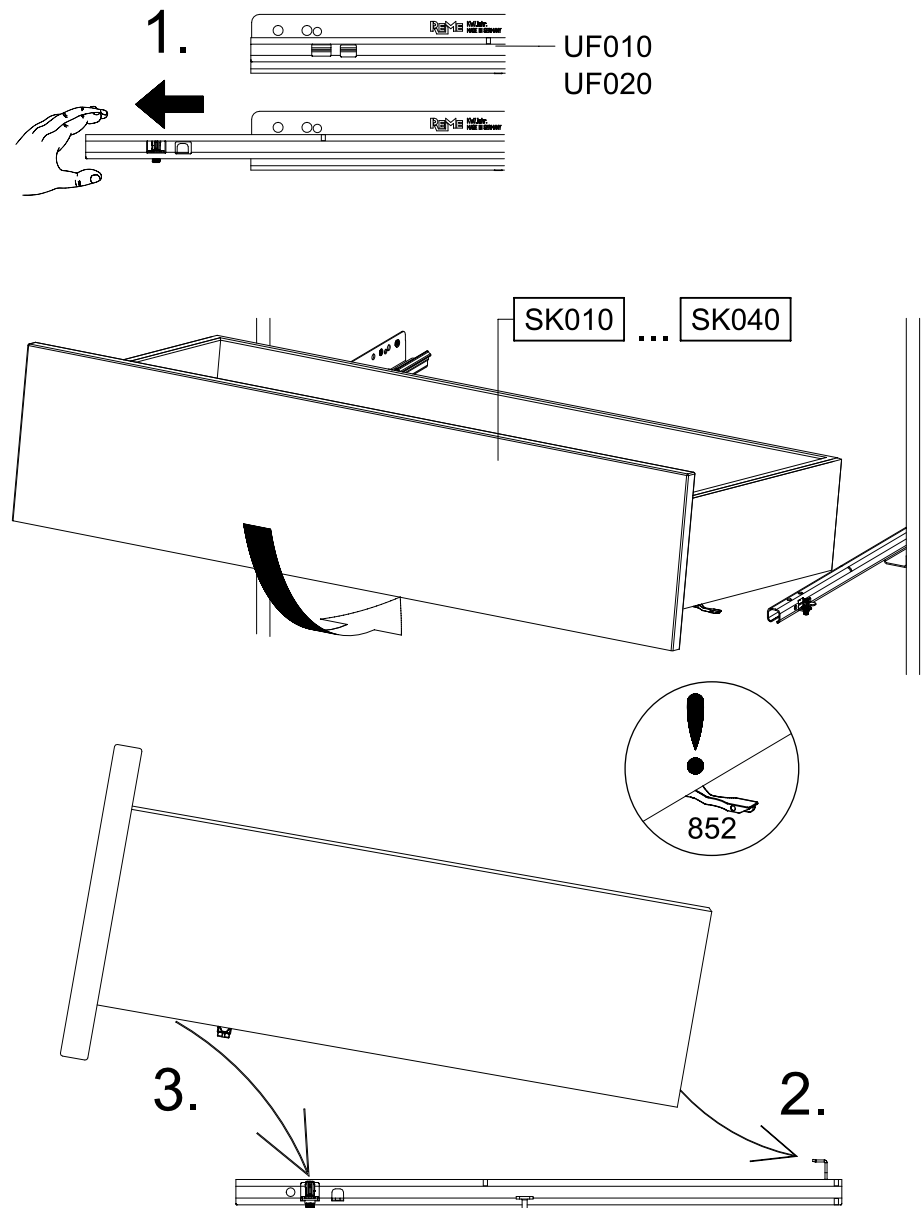


2.

34

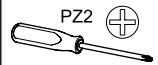
6x 

35

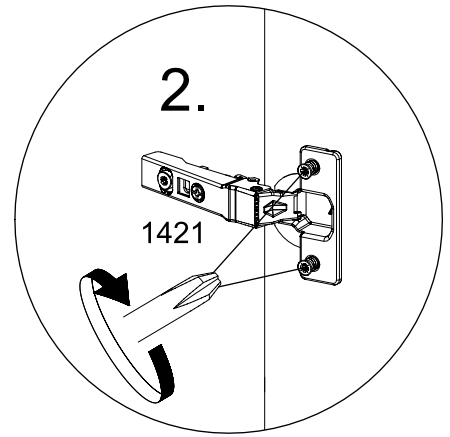
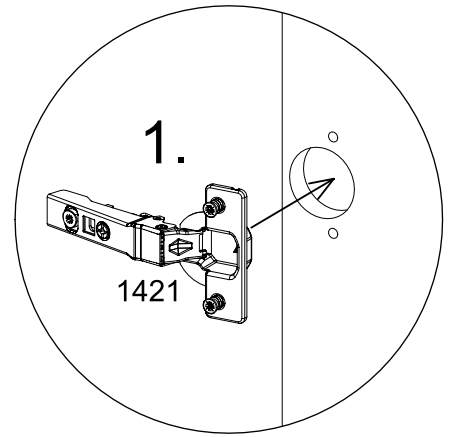
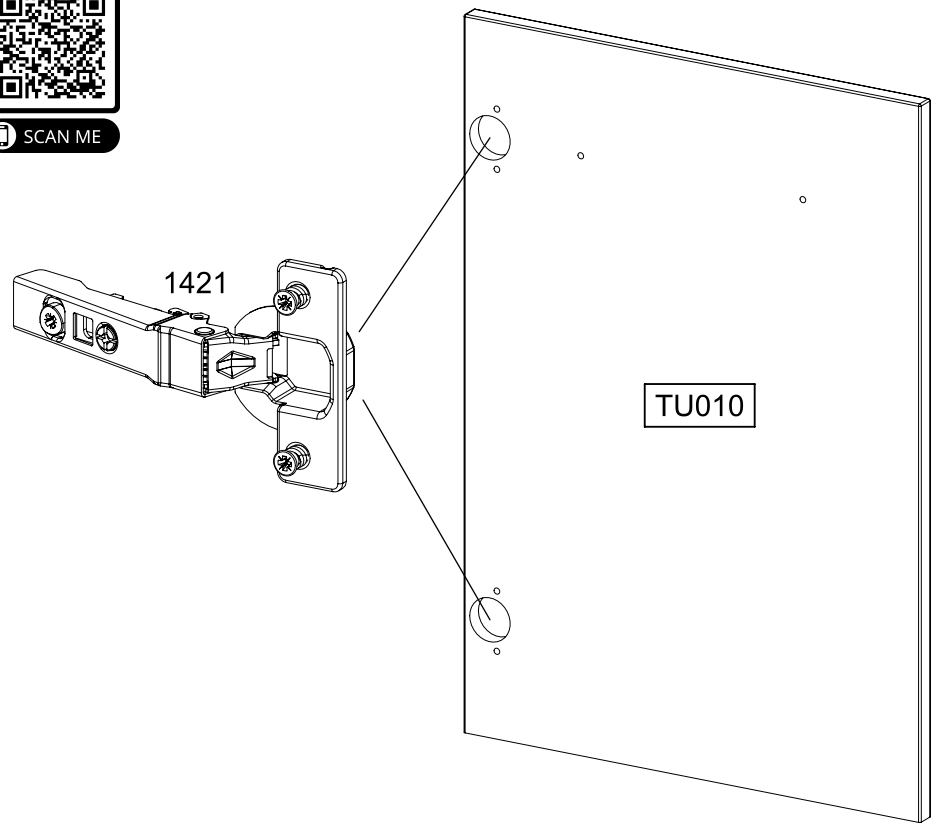


36

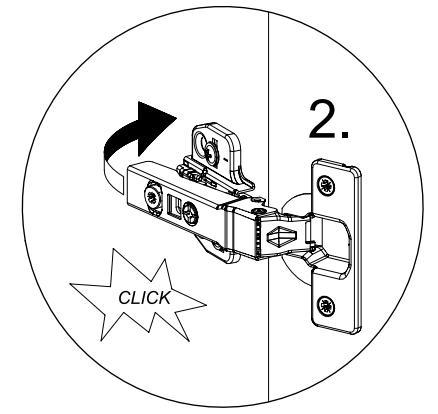
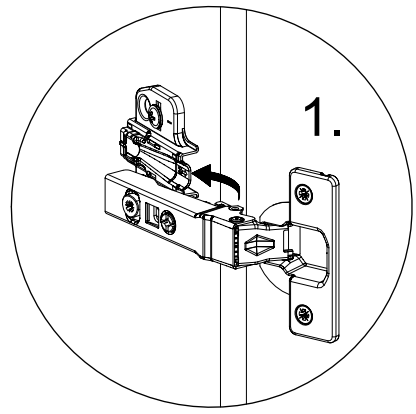
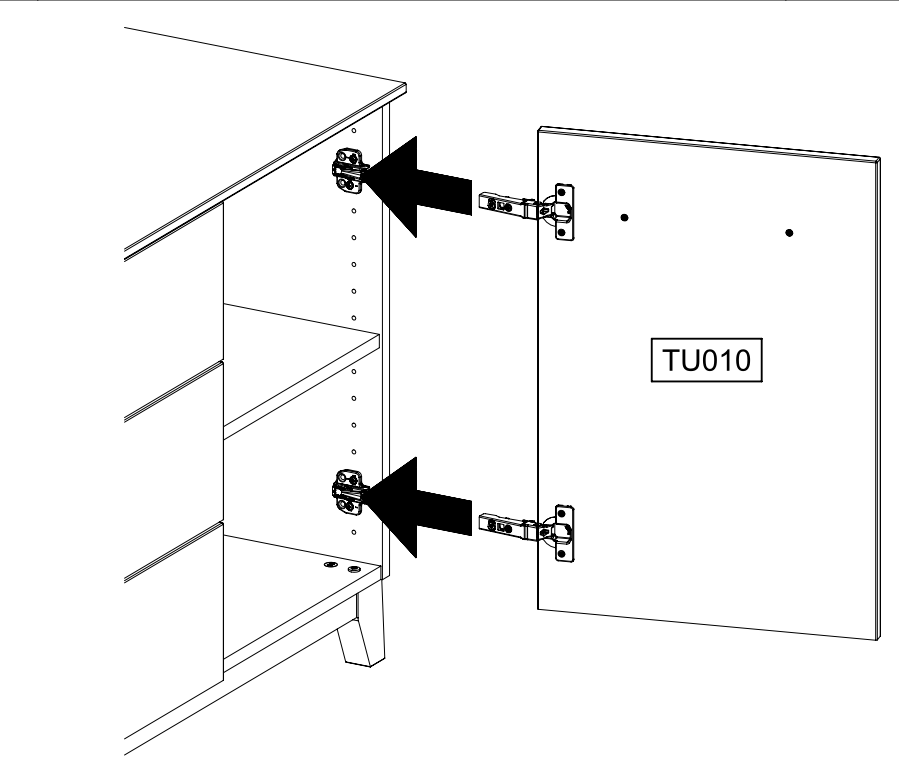
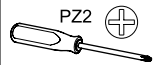
2x 1421



SCAN ME



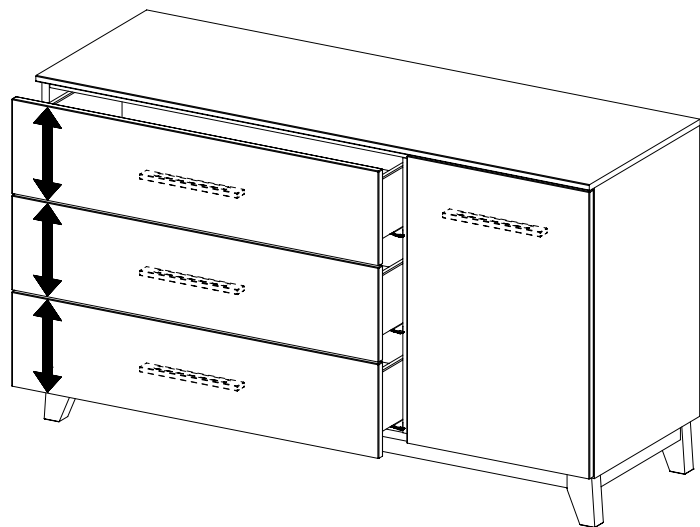
37



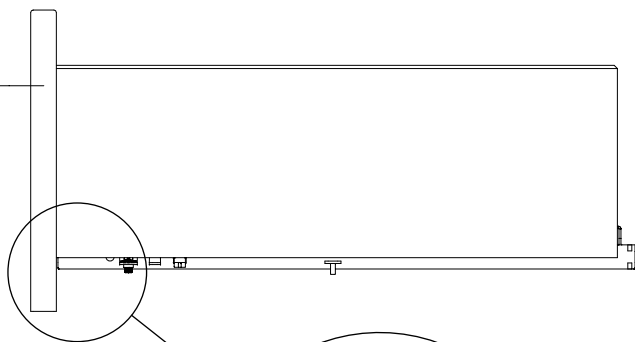
38



SCAN ME

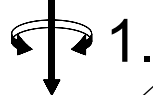
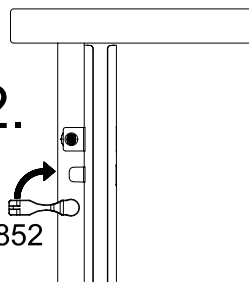


SK010
SK020
SK030



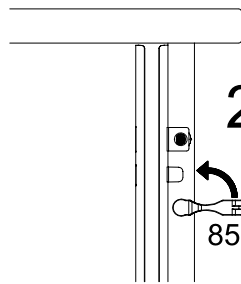
2.

852



2.

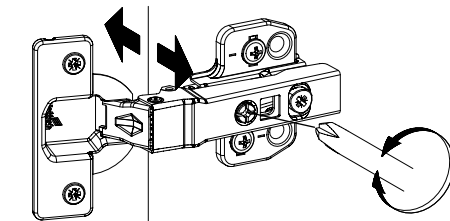
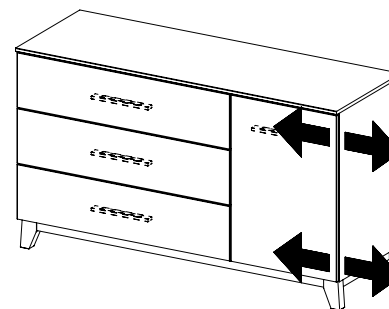
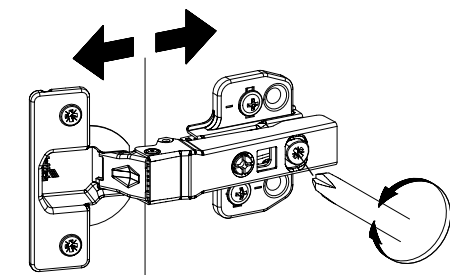
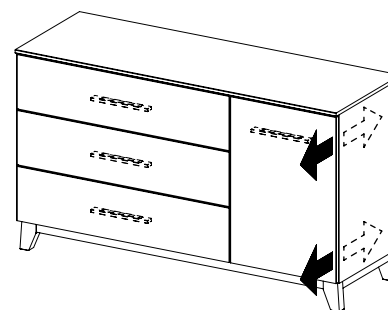
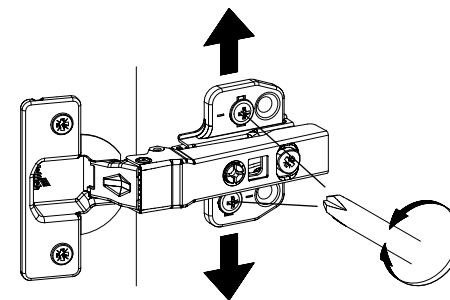
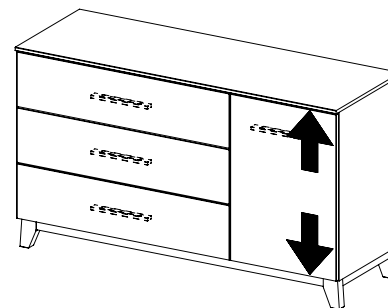
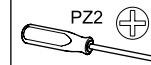
852



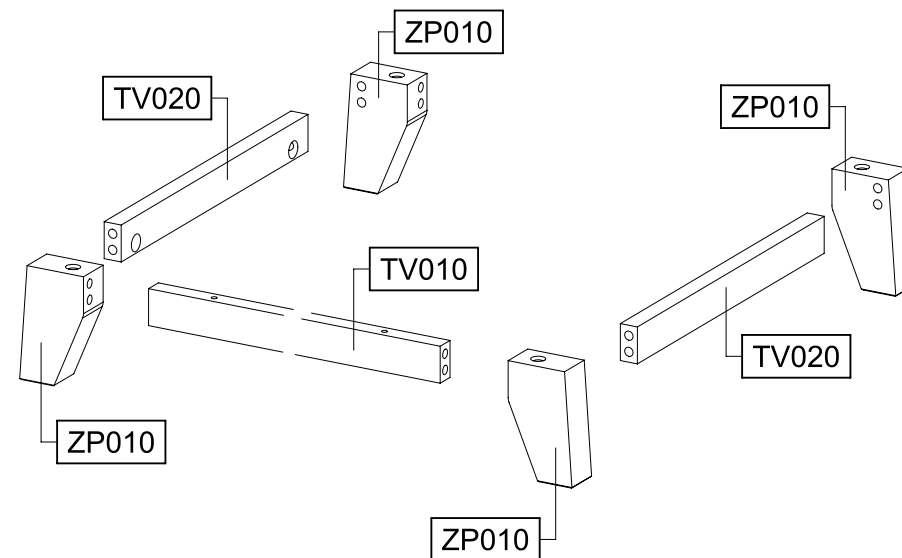
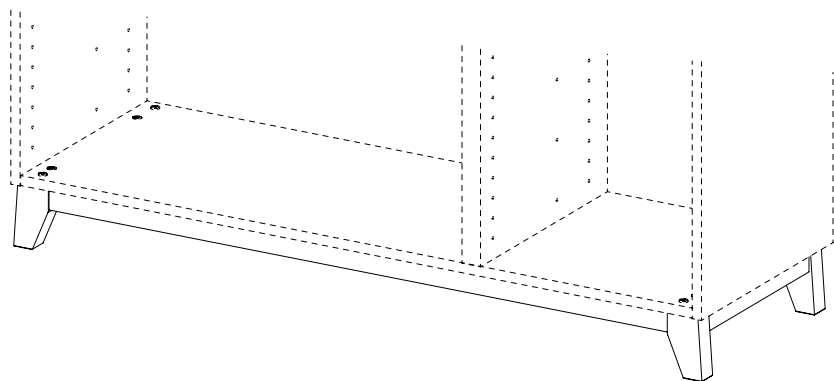
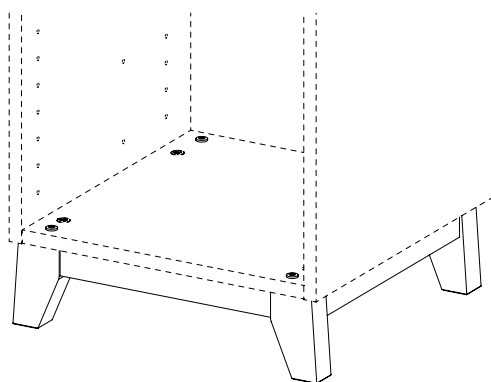
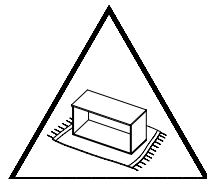
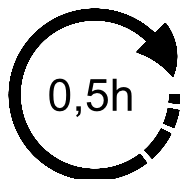
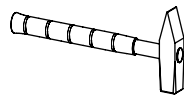
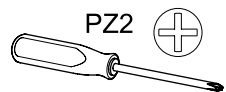
39



SCAN ME

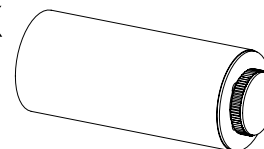


MZ353_01



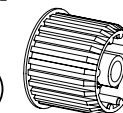
0x-1x

1392



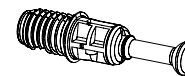
0x-1x

1393



6x

1479



6x

8x30

18



6x

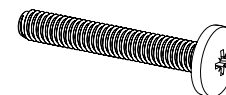
173



4x

245

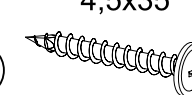
M6x40



2x-4x

214

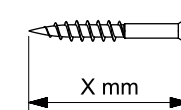
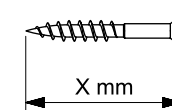
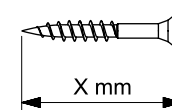
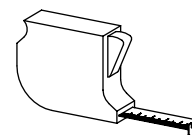
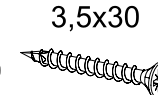
4,5x35

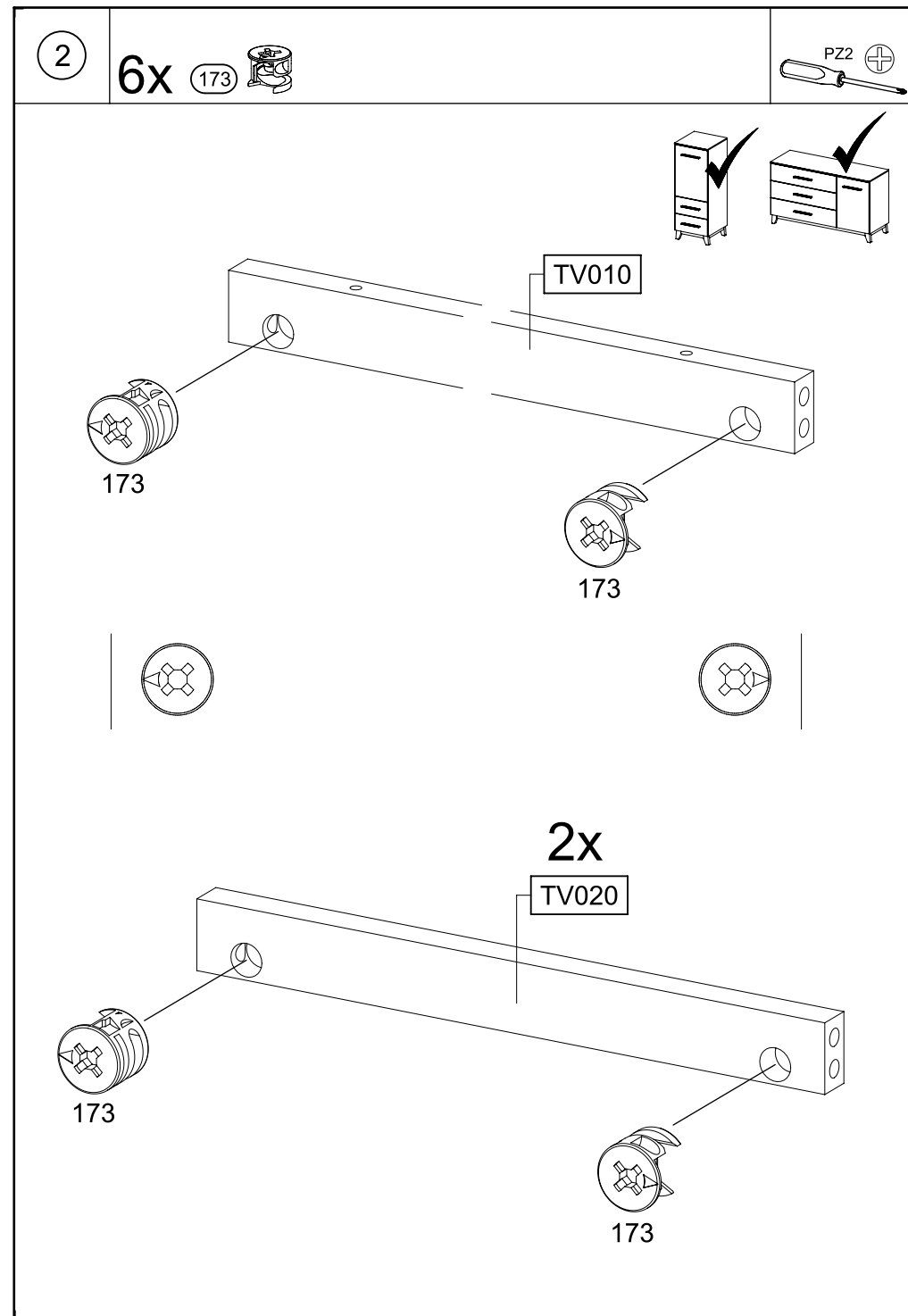
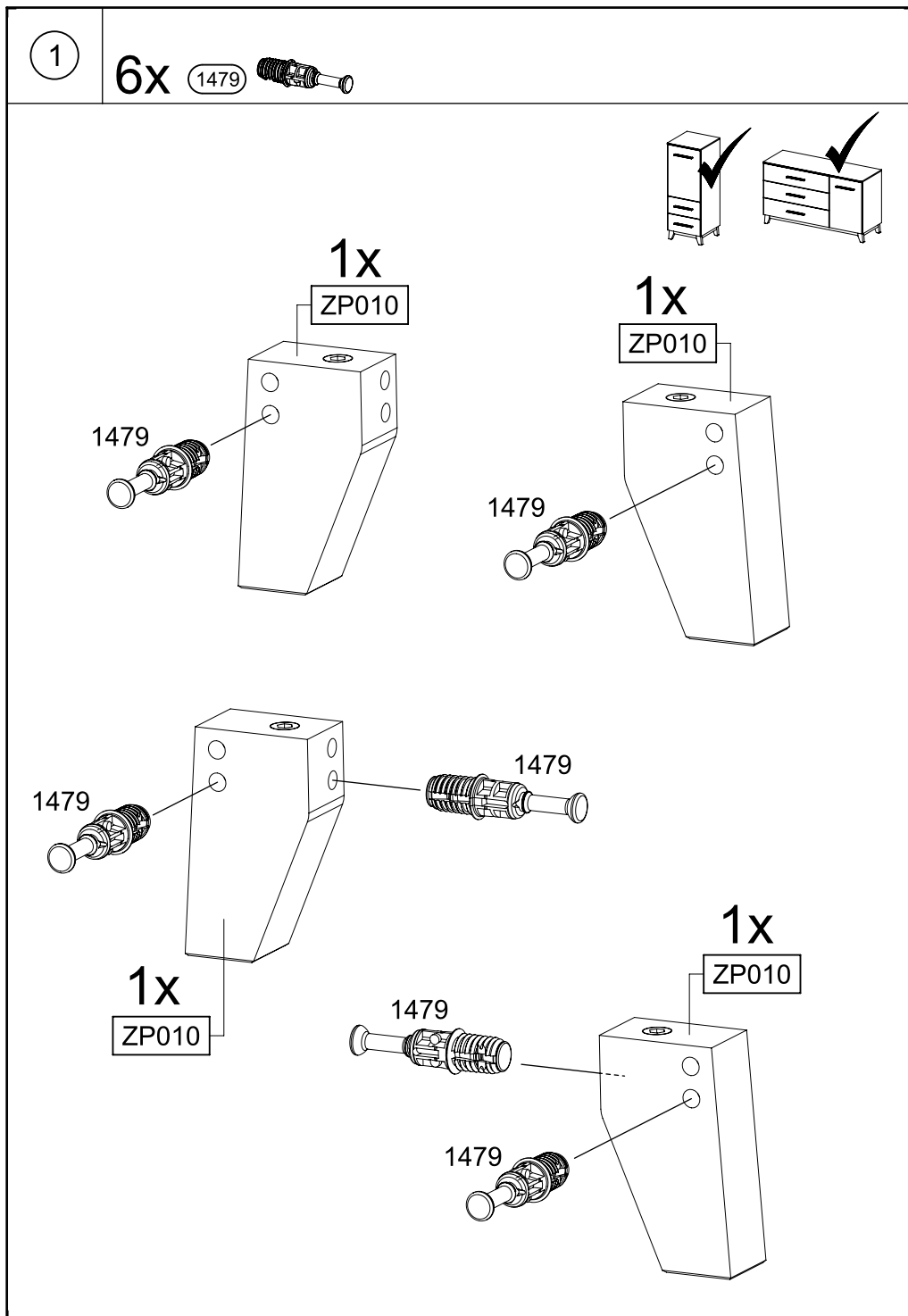


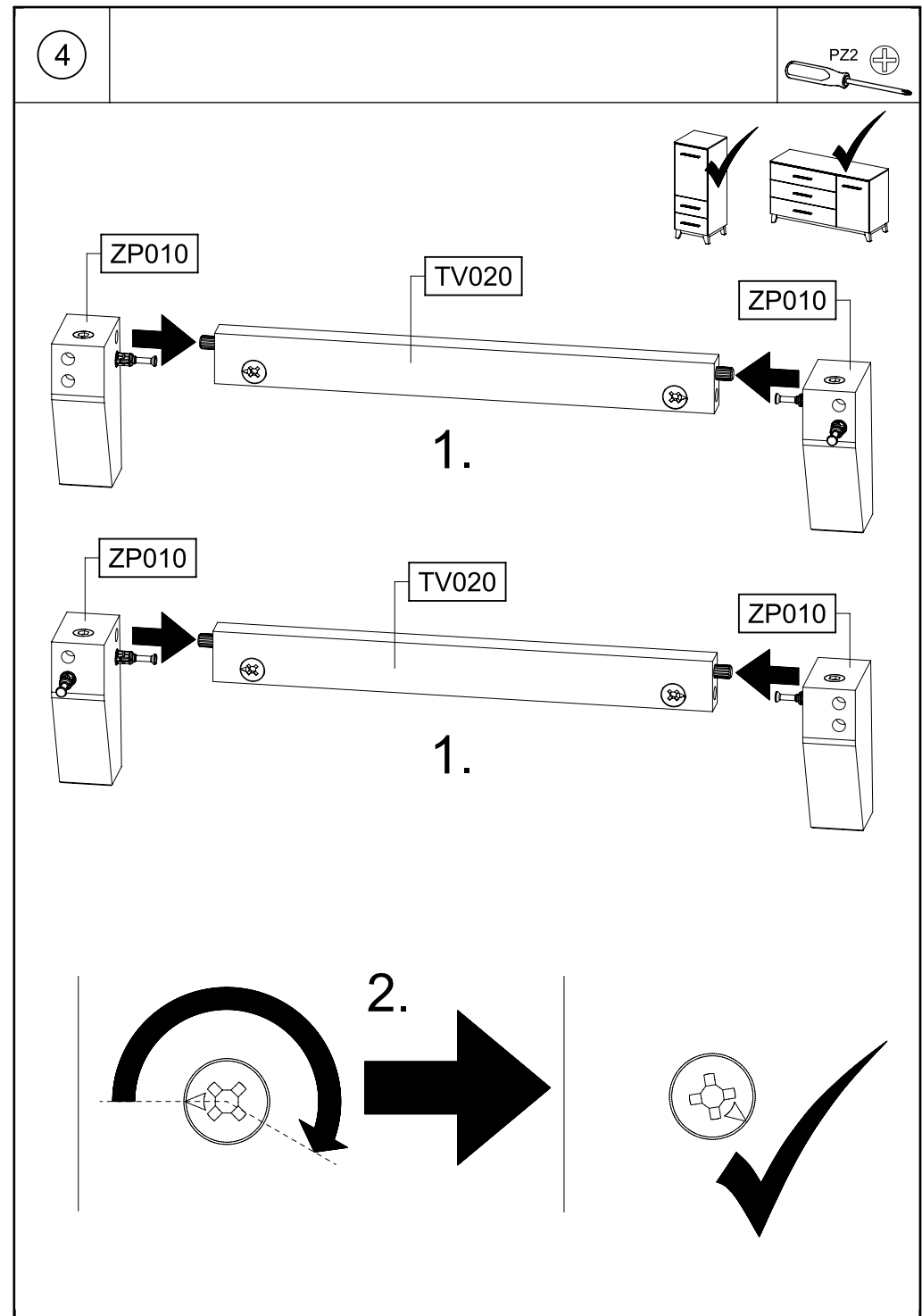
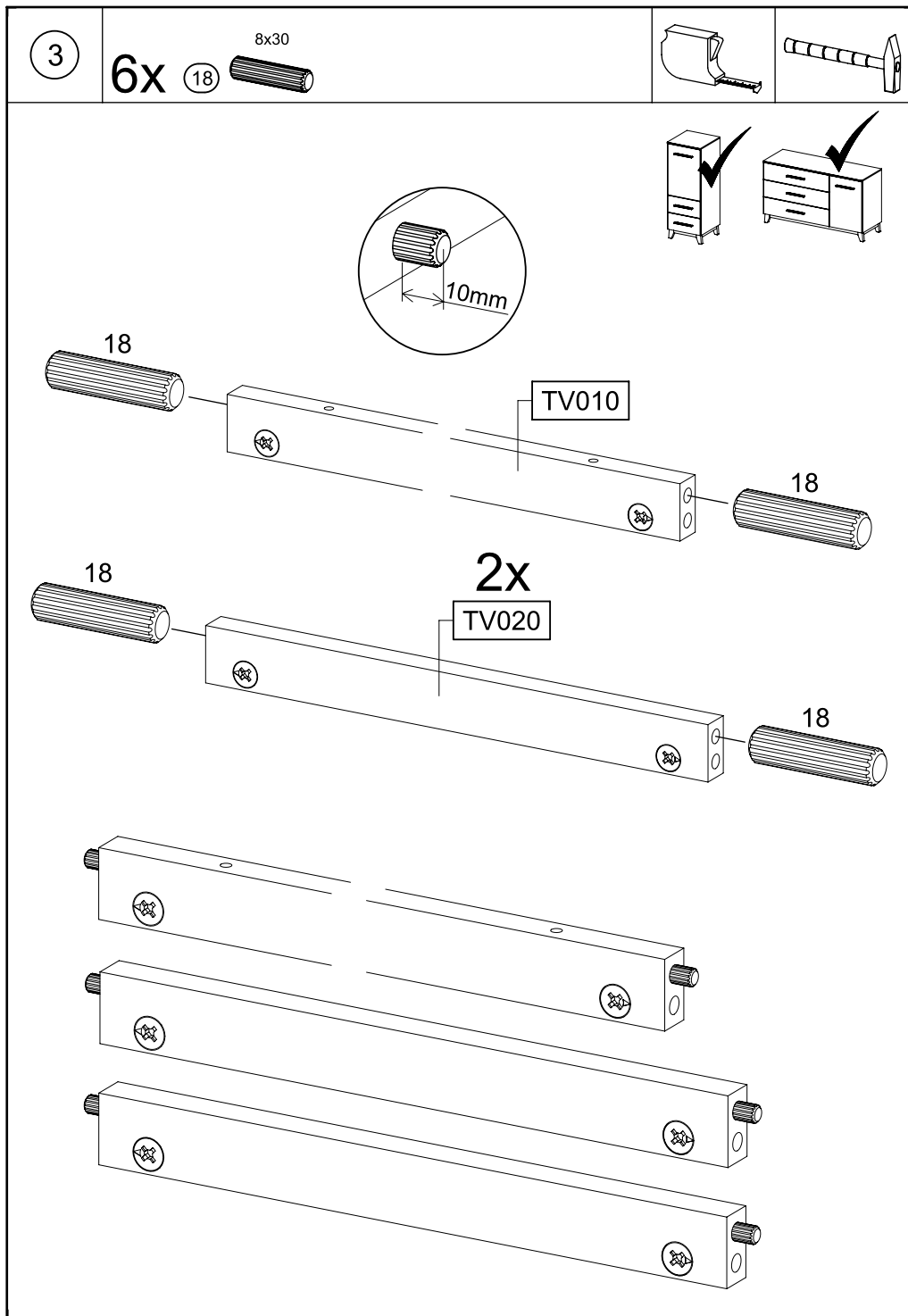
0x-4x

318

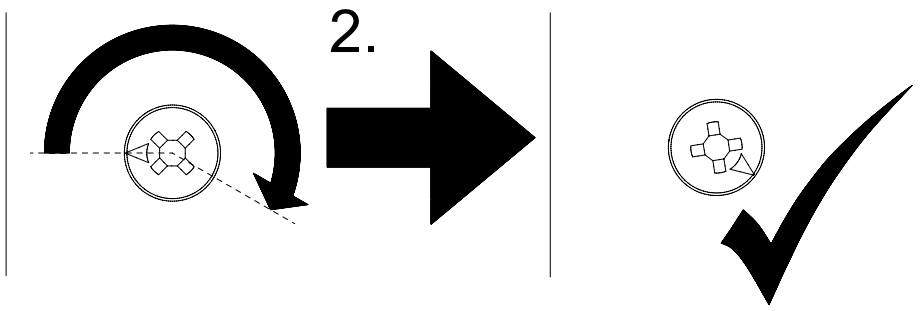
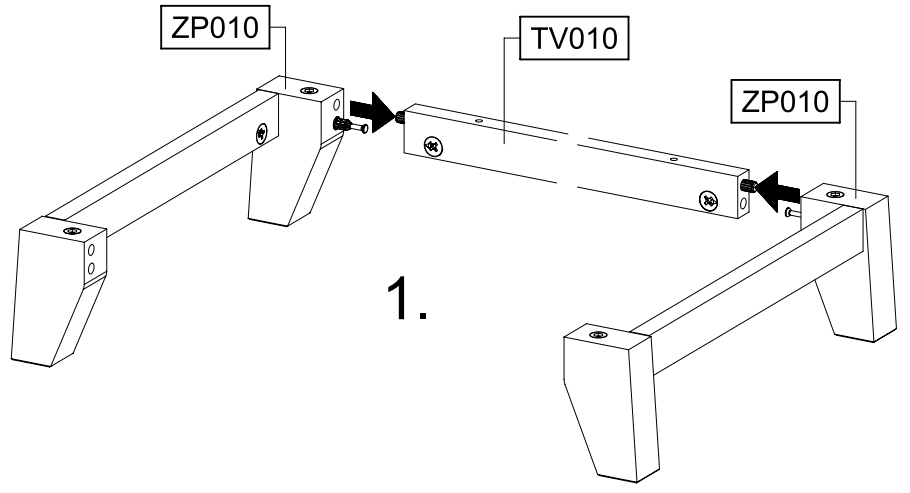
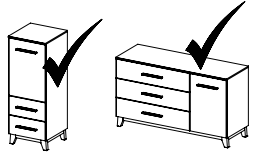
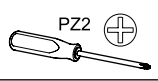
3,5x30





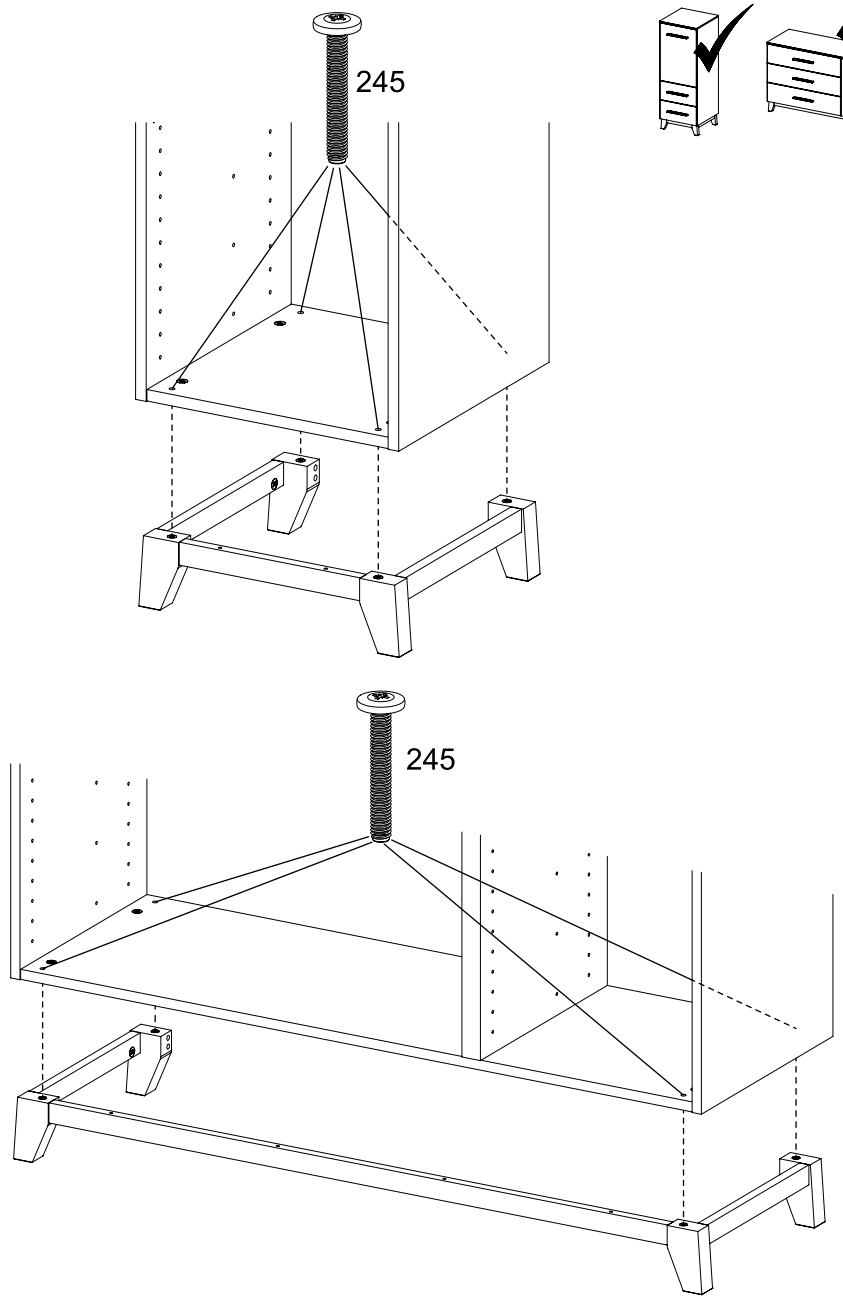
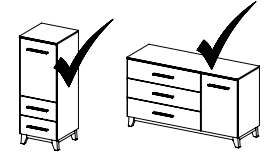
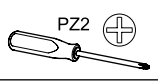
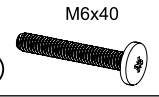


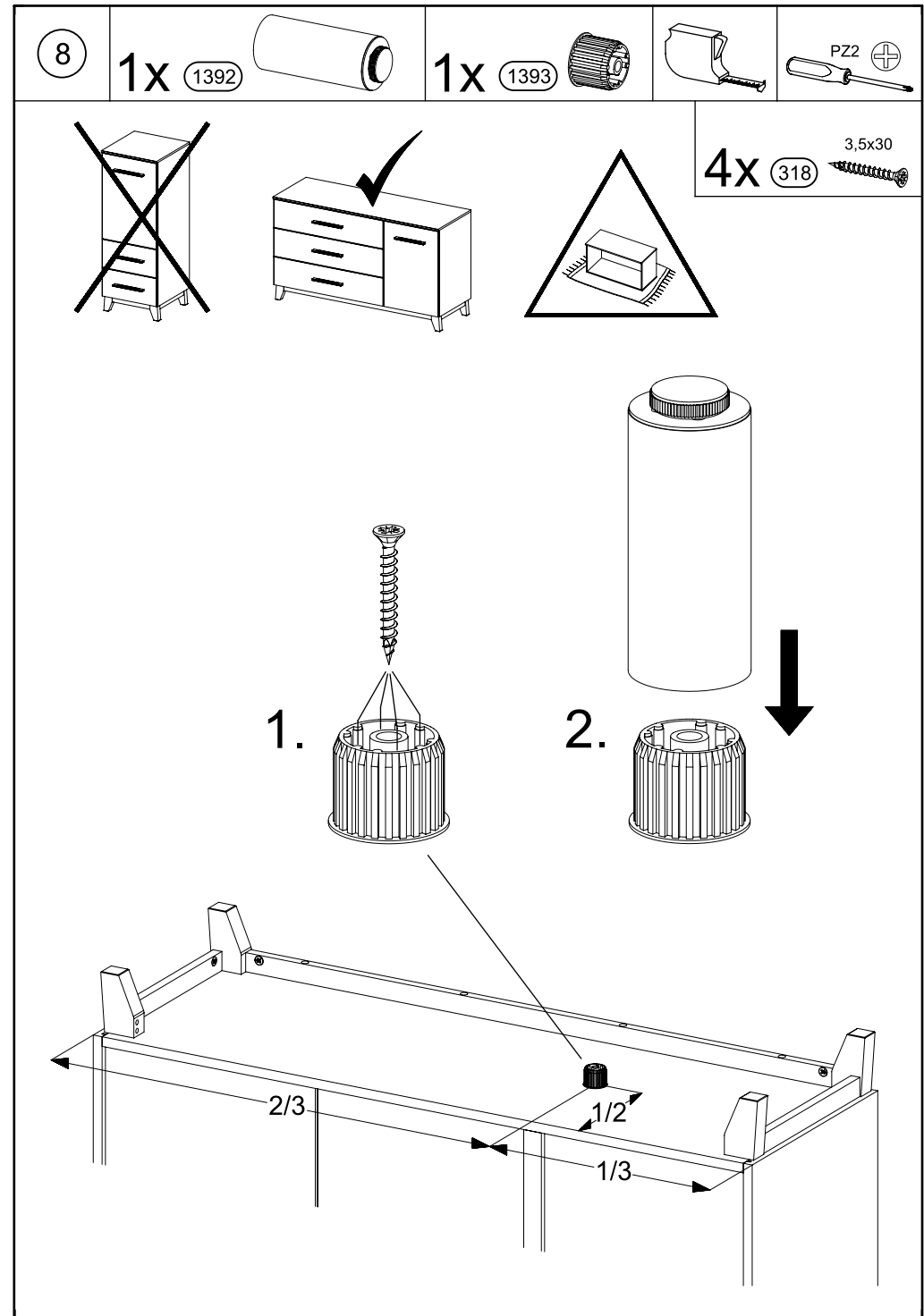
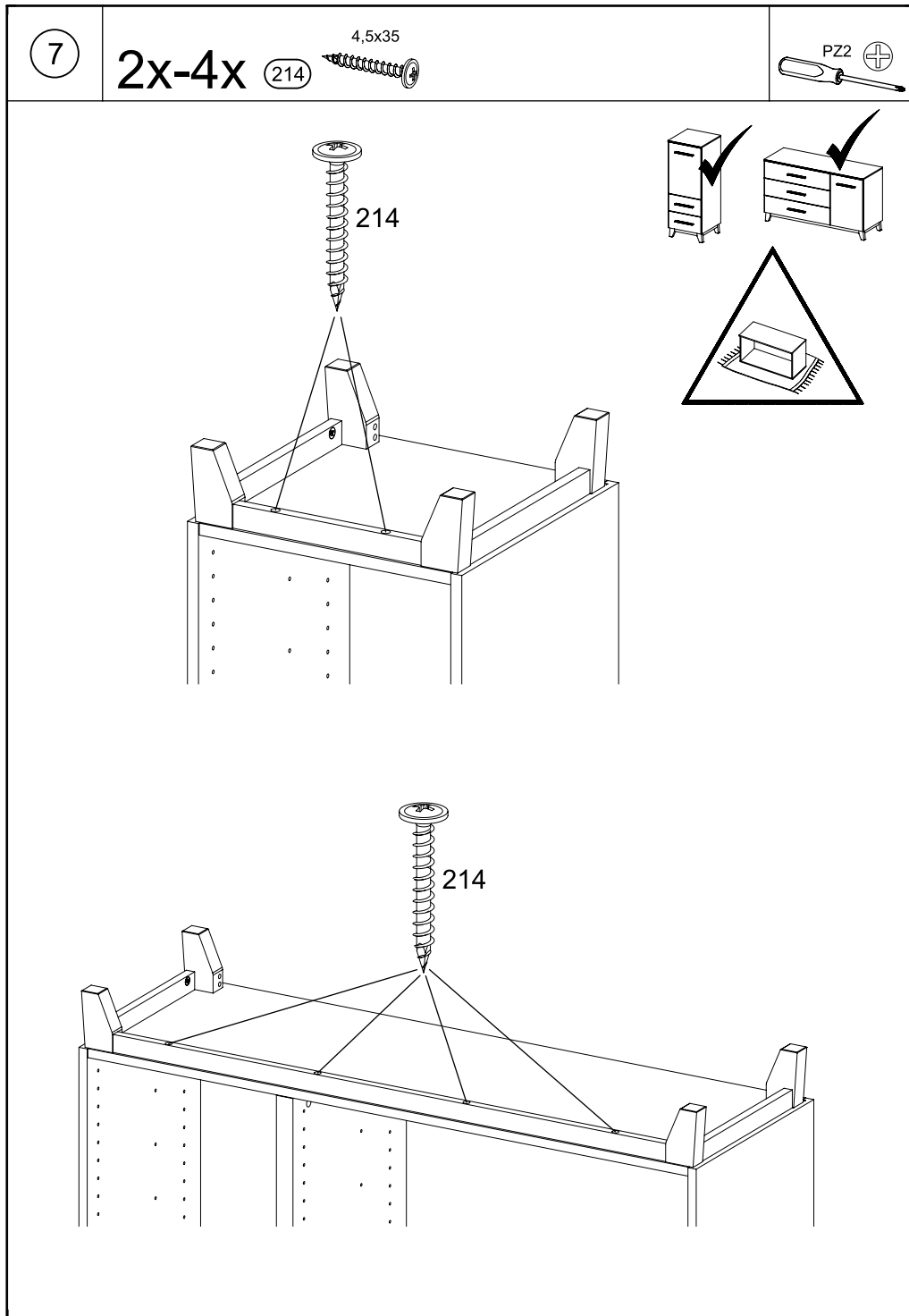
5



6

4x (245)





9

