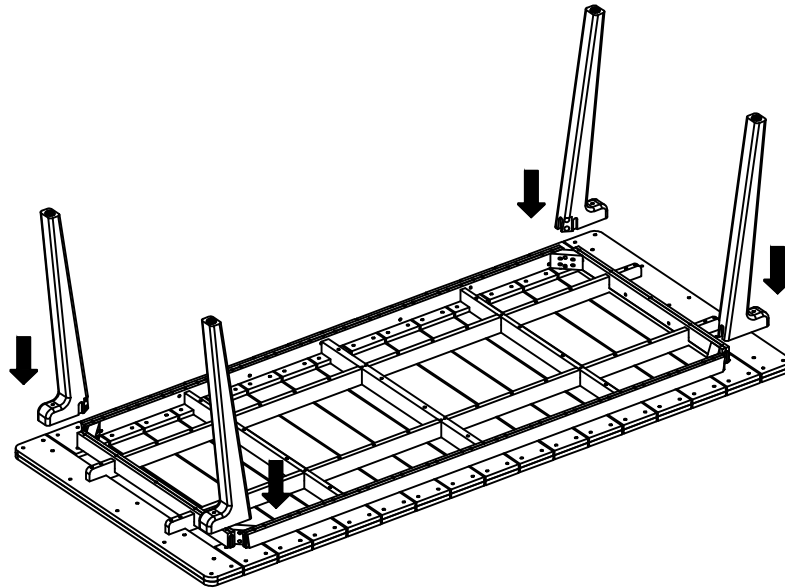


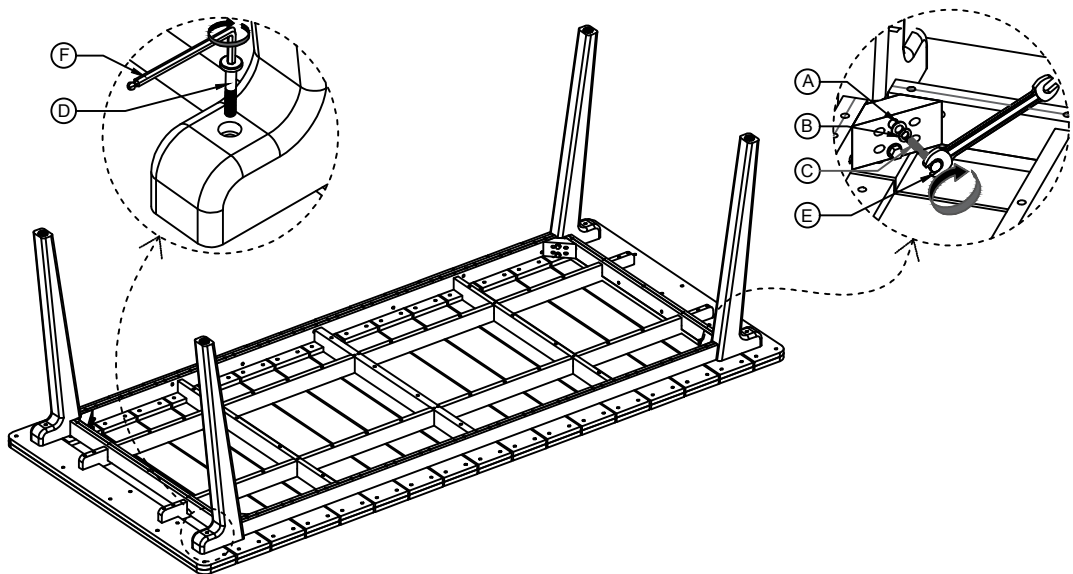
# ASSEMBLY INSTRUCTION

## IGUANA TABLE 220 x 100 x H 75 cm

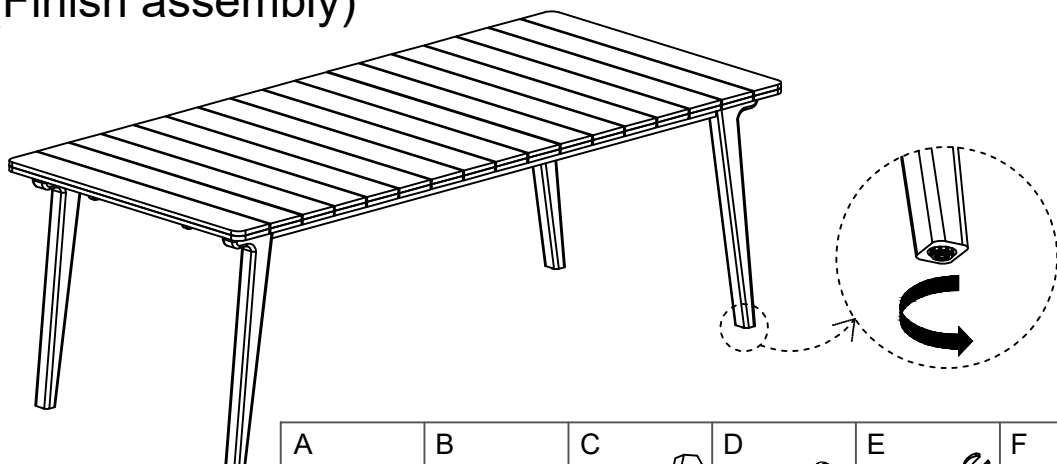
Step 1


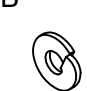
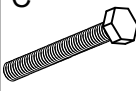





Step 2



Step 3 (Finish assembly)



 A	 B	 C HEXAGONAL NUT M8x60mm	 D JCBC M6x60mm	 E	 F
8 Pcs	8 Pcs	8 Pcs	4 Pcs	1 Pc	1 Pc