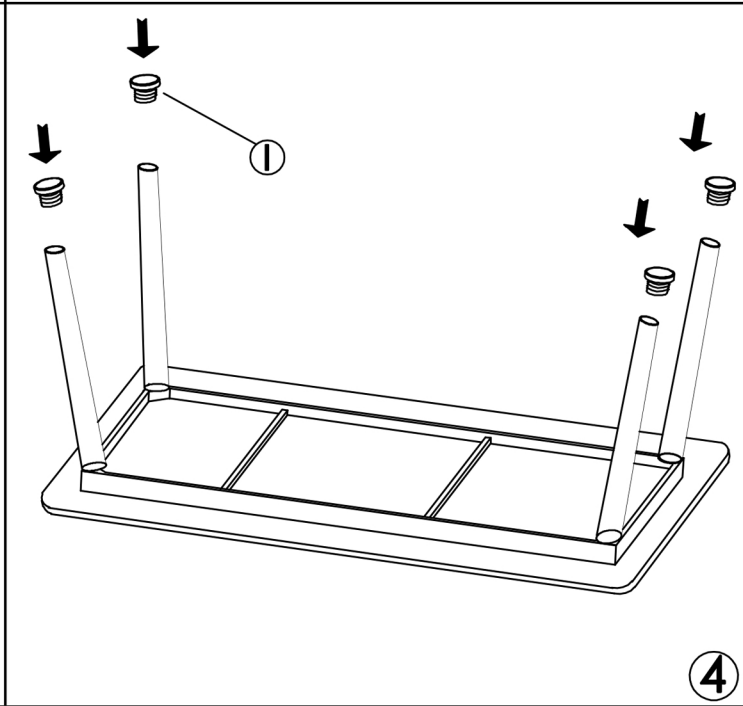
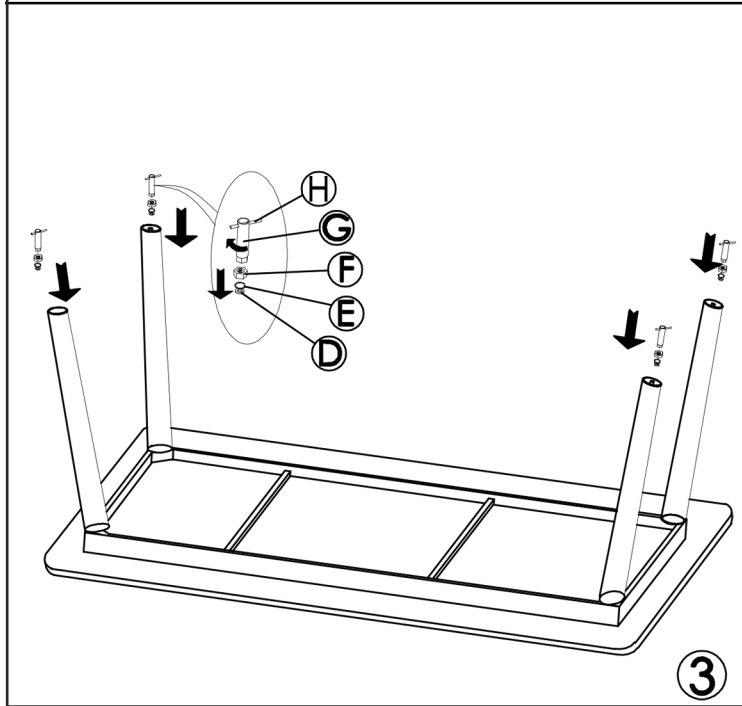
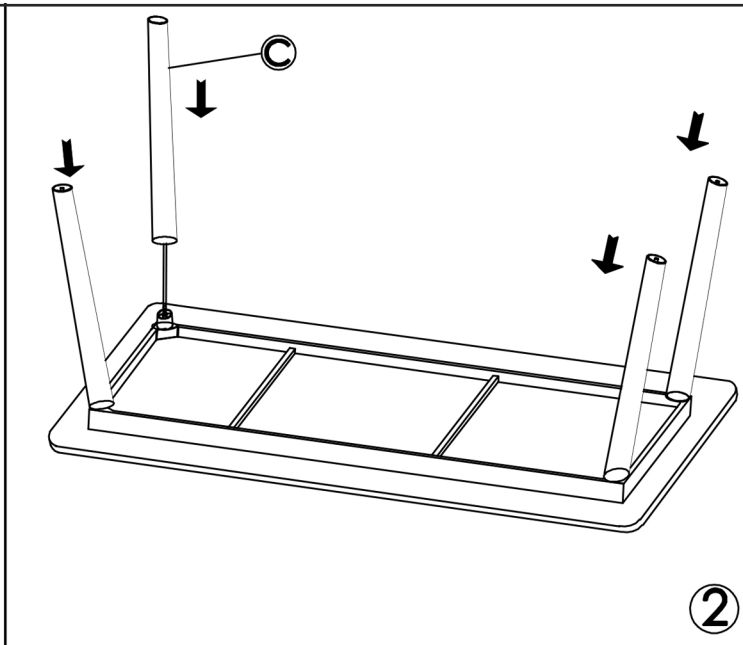
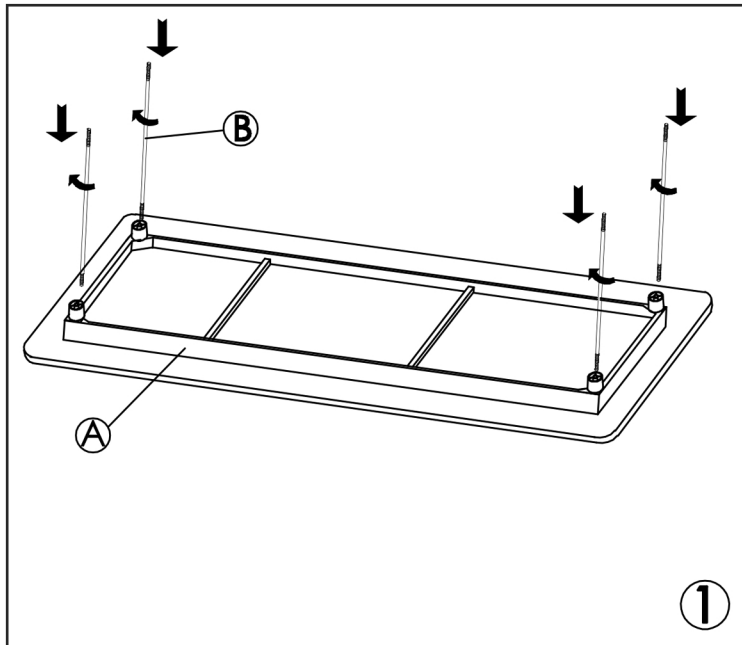


180x90RTA34



| | | |
|---|--|----|
| A | | X1 |
| B | | X4 |
| C | | X4 |
| D | | X8 |
| E | | X8 |
| F | | X8 |
| G | | X1 |
| H | | X1 |
| I | | X4 |