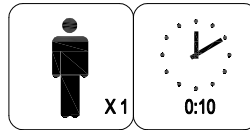
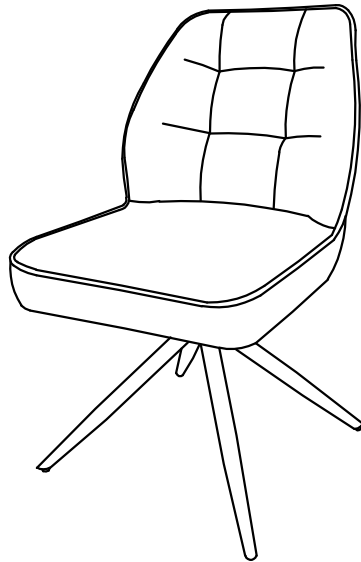

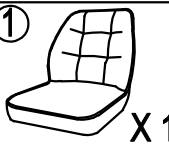

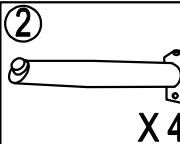

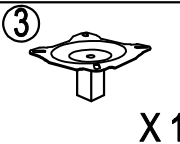

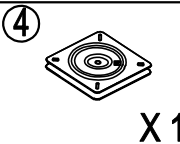

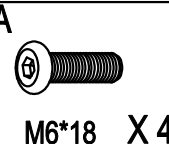
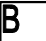
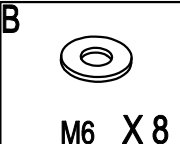

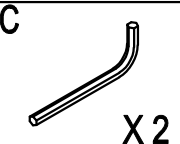

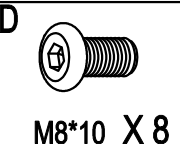
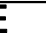
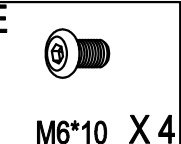

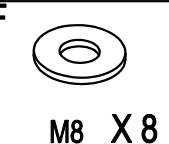


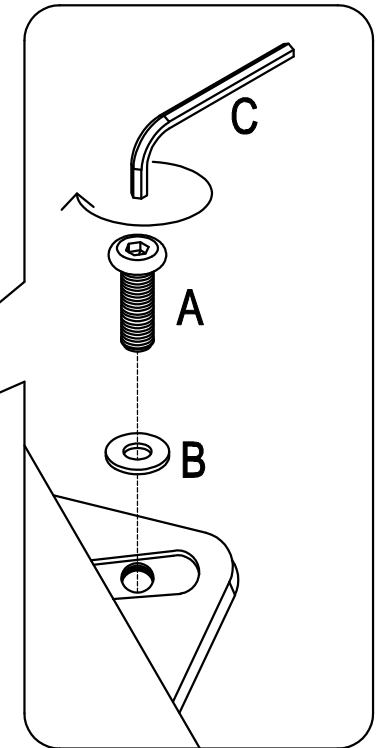
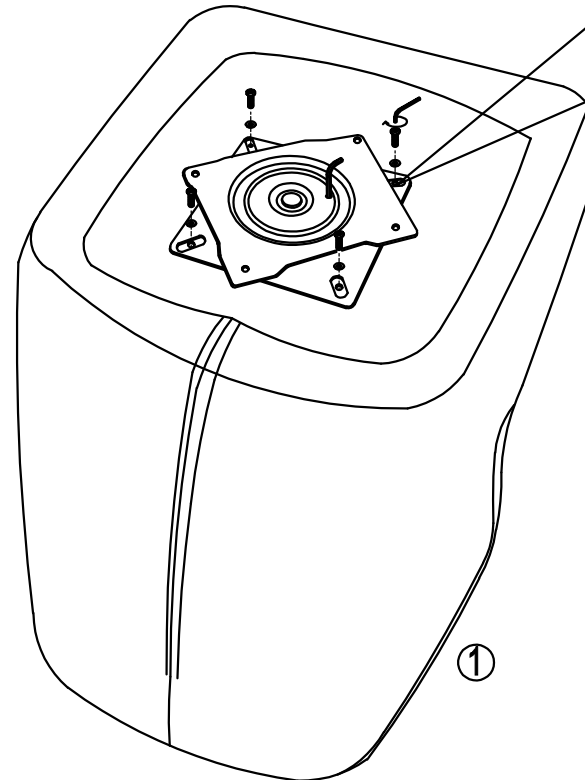
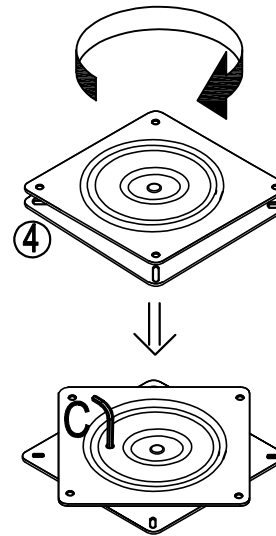
ASSEMBLY INSTRUCTIONS

DINING CHAIR MODEL#: UDC24035-2

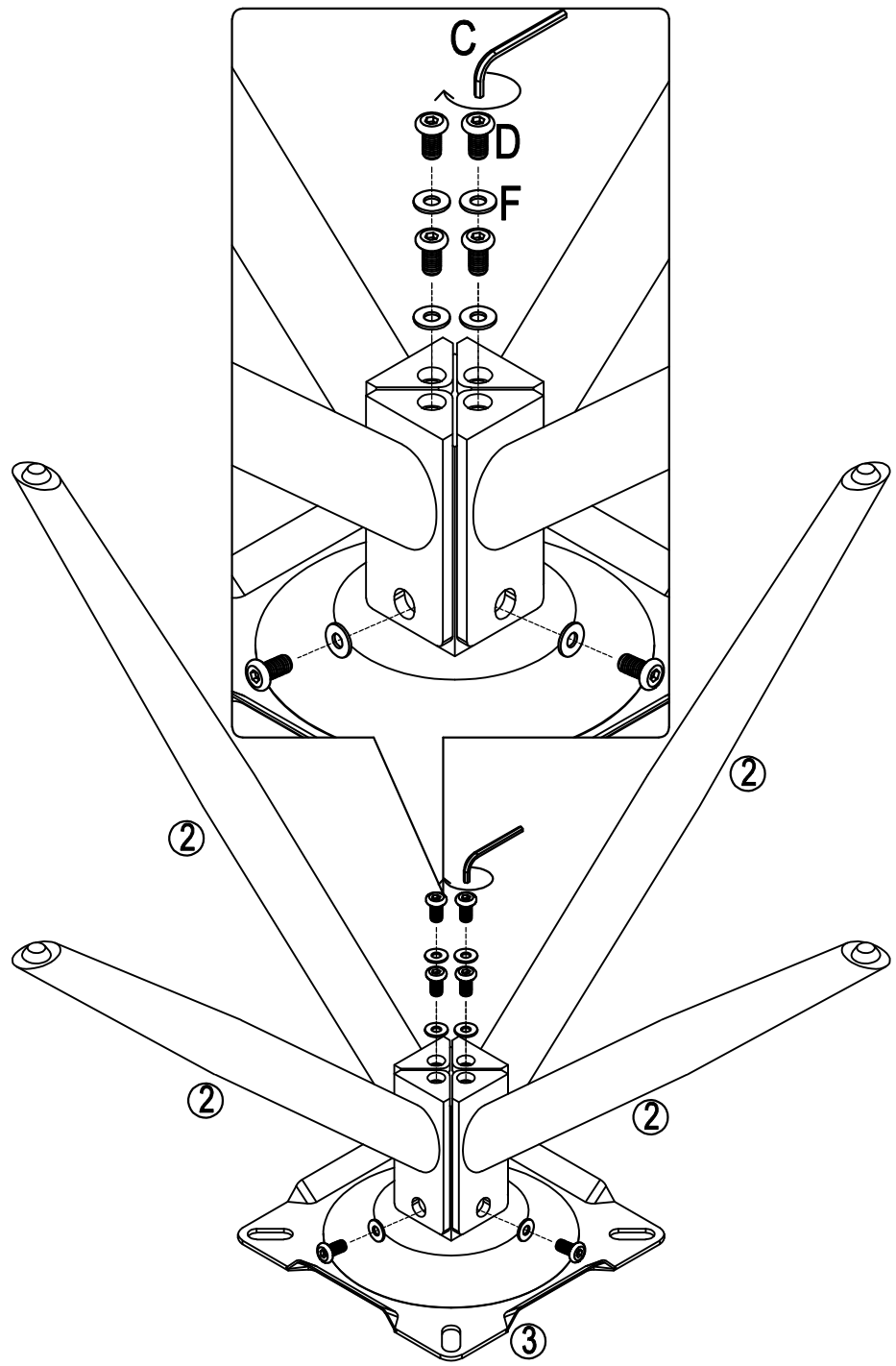


| | | | | |
|---|--|---|---|--|
|   X 1 |   X 4 |   X 1 |   X 1 | |
|   M6*18 X 4 |   M6 X 8 |   X 2 |   M8*10 X 8 |   M6*10 X 4 |
|   M8 X 8 | | | | |

1



2



3

