

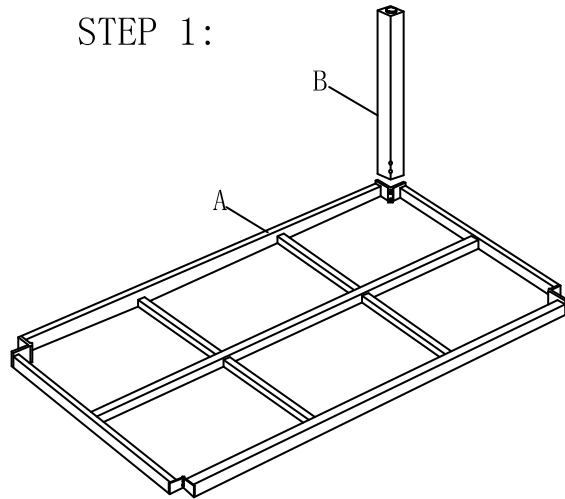
# ASSEMBLY INSTRUCTIONS

## CAUTION

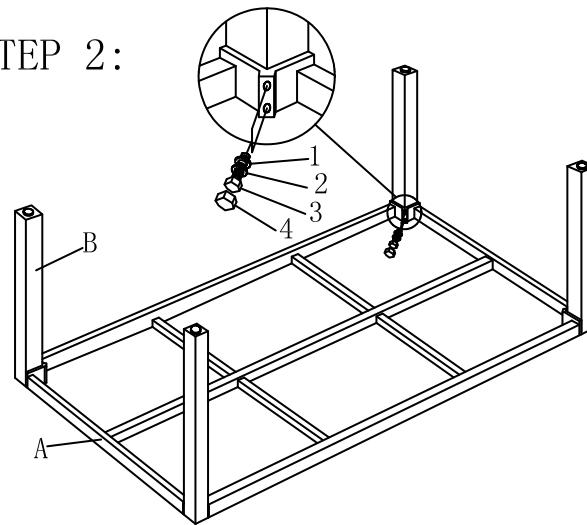
A: Check the package having all items shown in the parts list

B: Read the instruction before assembling

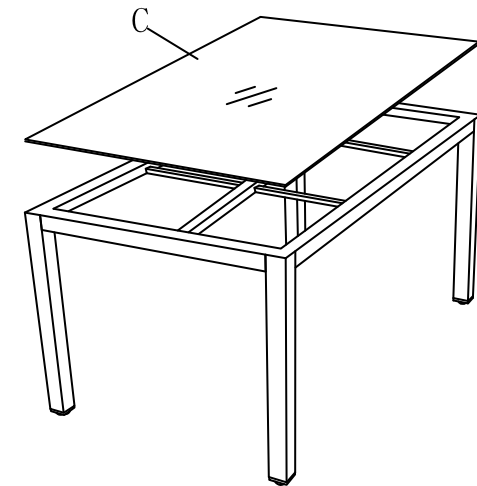
STEP 1:



STEP 2:



STEP 3:



<p>A</p> <p>1PC</p>	<p>B</p> <p>4PCS</p>	<p>C</p> <p>1PC</p>	<p>D</p> <p>1PC</p>
<p>1</p> <p>8PCS</p>	<p>2</p> <p>8PCS</p>	<p>3</p> <p>8PCS</p>	<p>4</p> <p>8PCS</p>

## NOTE:

DO not tighten screws completely until assembling is completed