

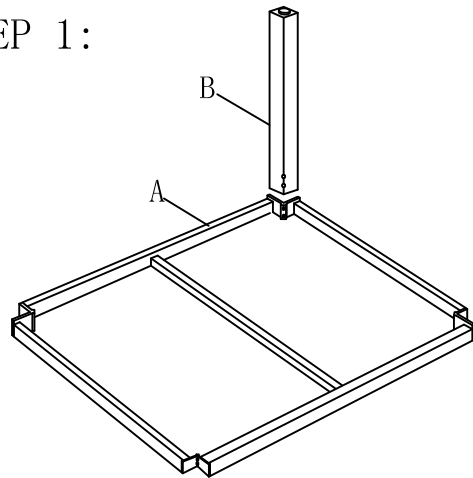
ASSEMBLY INSTRUCTIONS

CAUTION

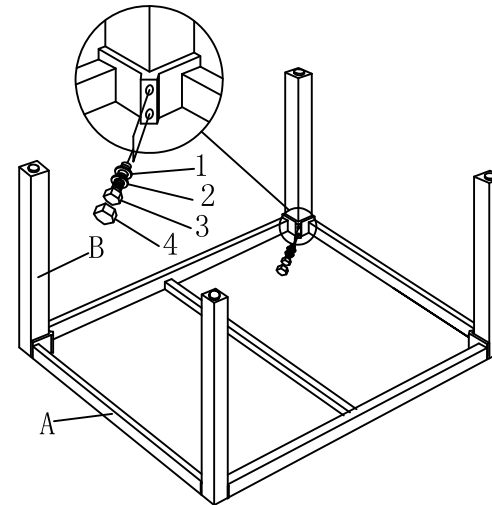
A: Check the package having all items shown in the parts list

B: Read the instruction before assembling

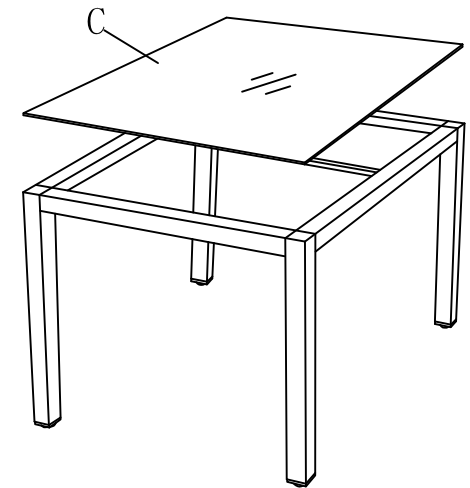
STEP 1:

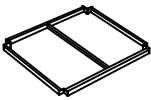









STEP 2:



STEP 3:



<p>A</p>  <p>1PC</p>	<p>B</p>  <p>4PCS</p>	<p>C</p>  <p>1PC</p>	<p>D</p>  <p>1PC</p>
<p>1</p>  <p>8PCS</p>	<p>2</p>  <p>8PCS</p>	<p>3</p>  <p>8PCS</p>	<p>4</p>  <p>8PCS</p>

NOTE:

DO not tighten screws completely until assembling is completed