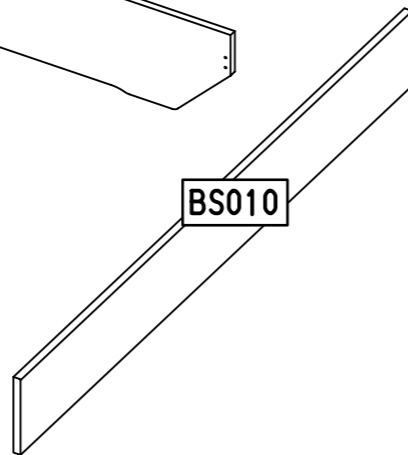
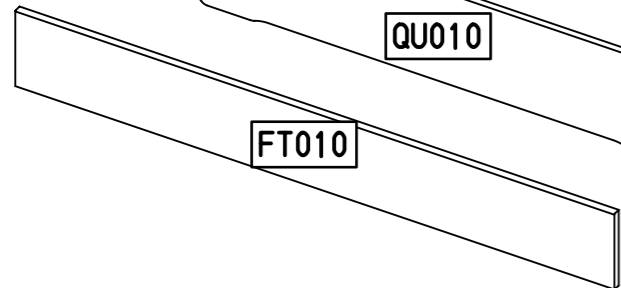
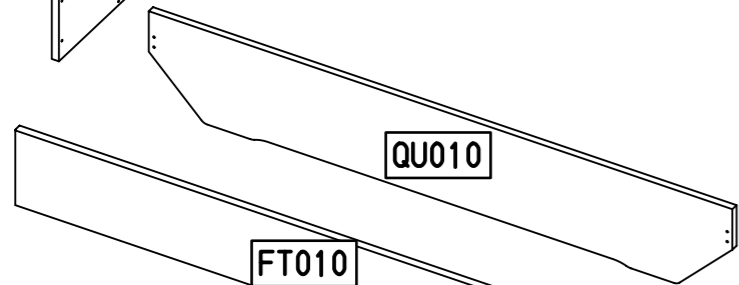
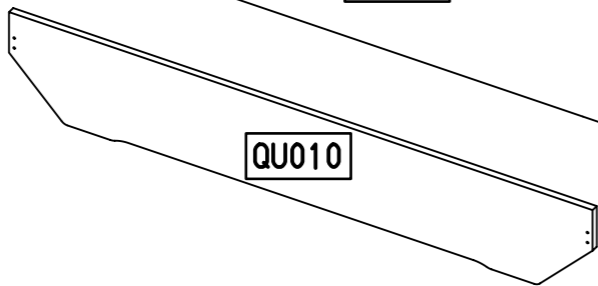
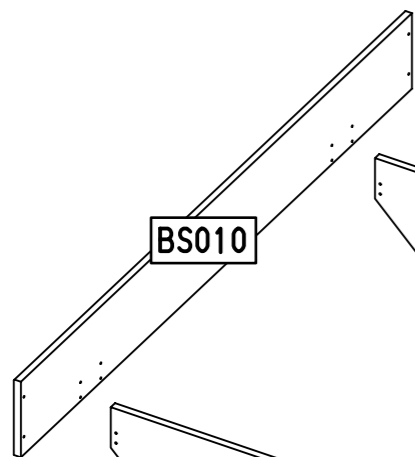
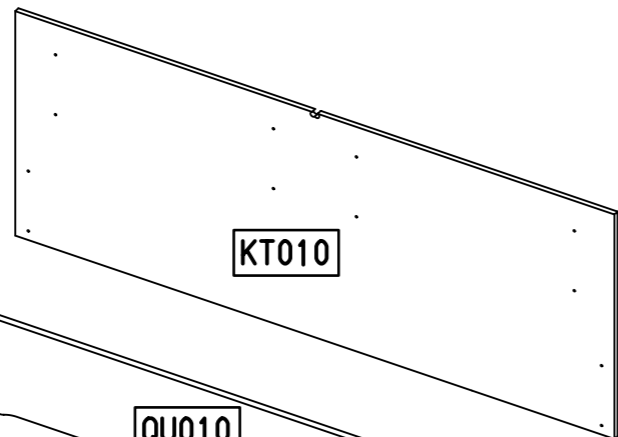
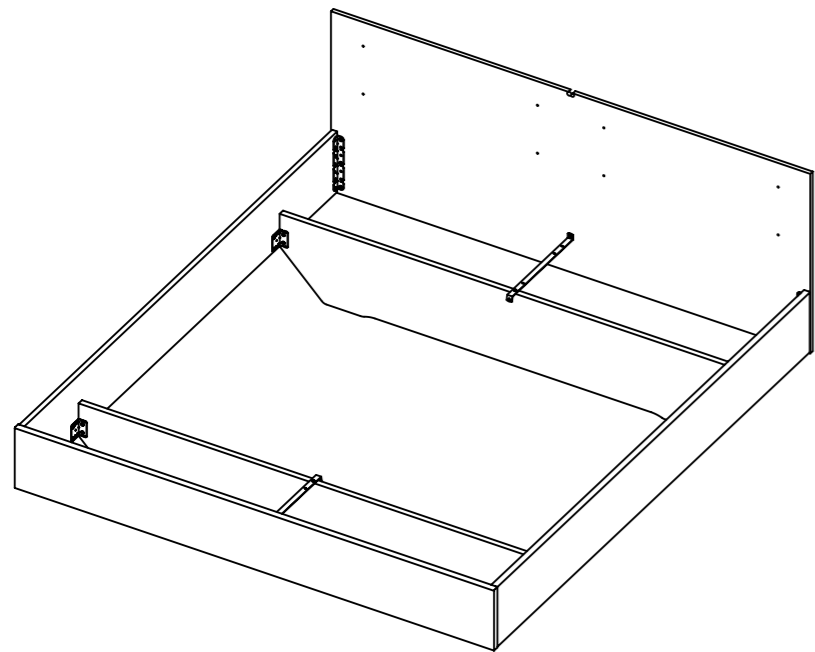
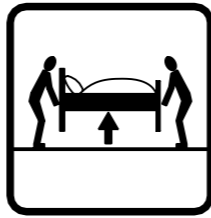
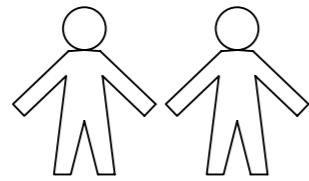
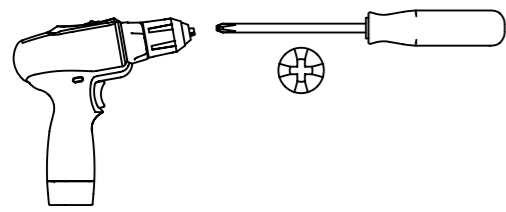


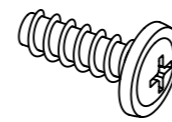
1.

M1892_03



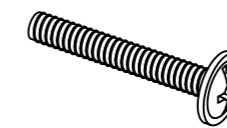
2.

30x (25)



6,3x18

8x (56)



M4x32

8x (176)



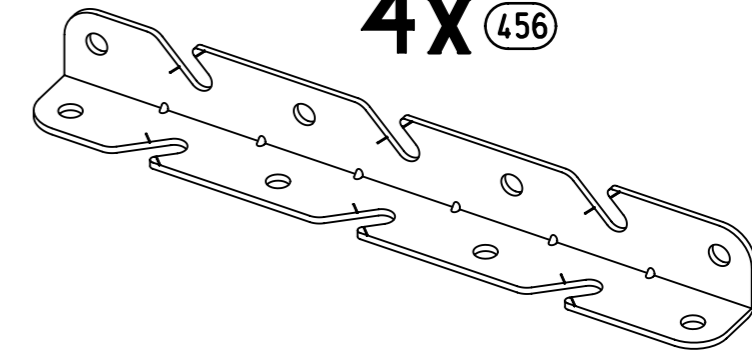
M4

28x (202)

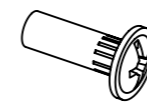


4.5x16

4x (456)

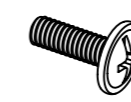


4x (580)



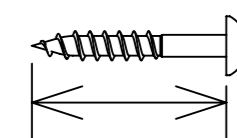
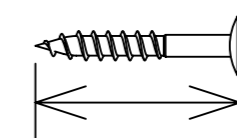
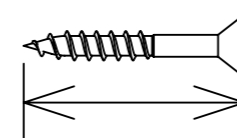
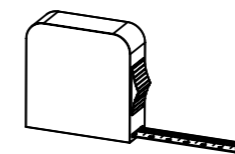
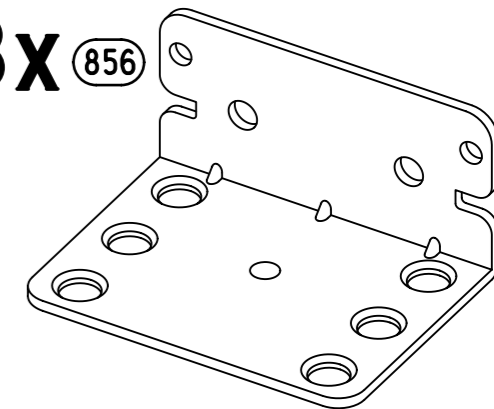
M4

4x (803)



M4x12

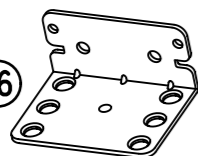
8x (856)



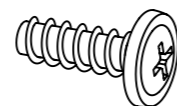
3.

1

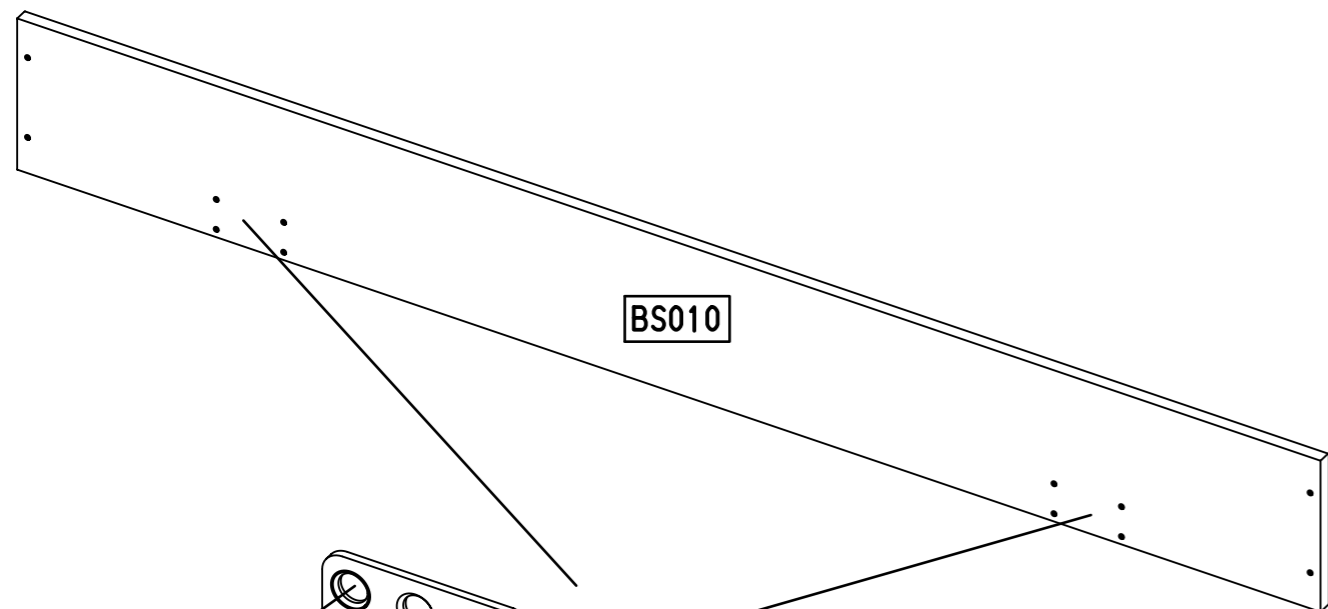
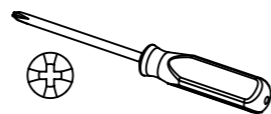
8x 856



16x 25



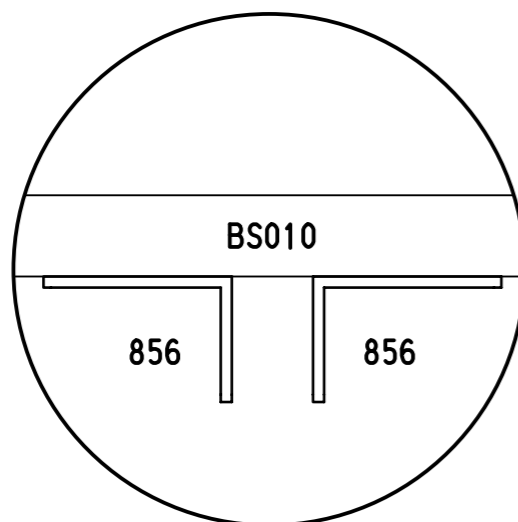
6,3x18



25

856

25



BS010

856

856

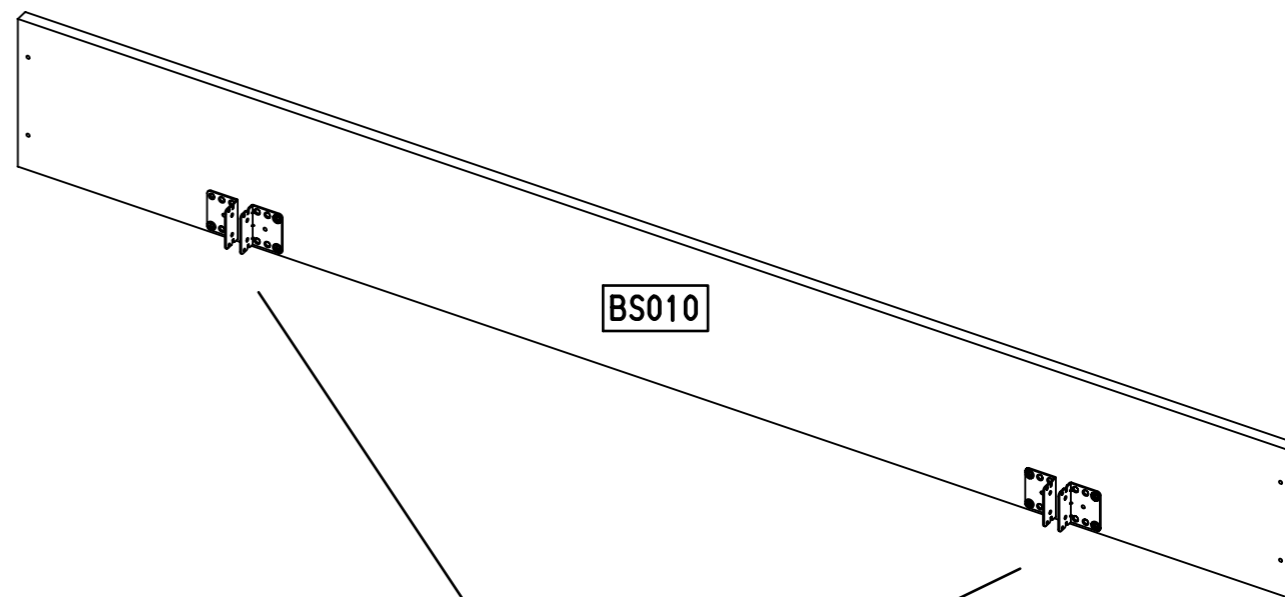
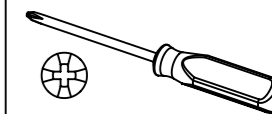
4.

2

16x 202



4.5x16



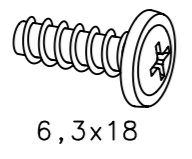
202

856

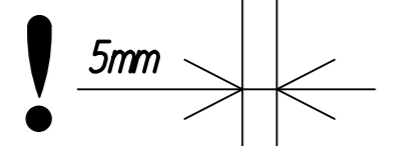
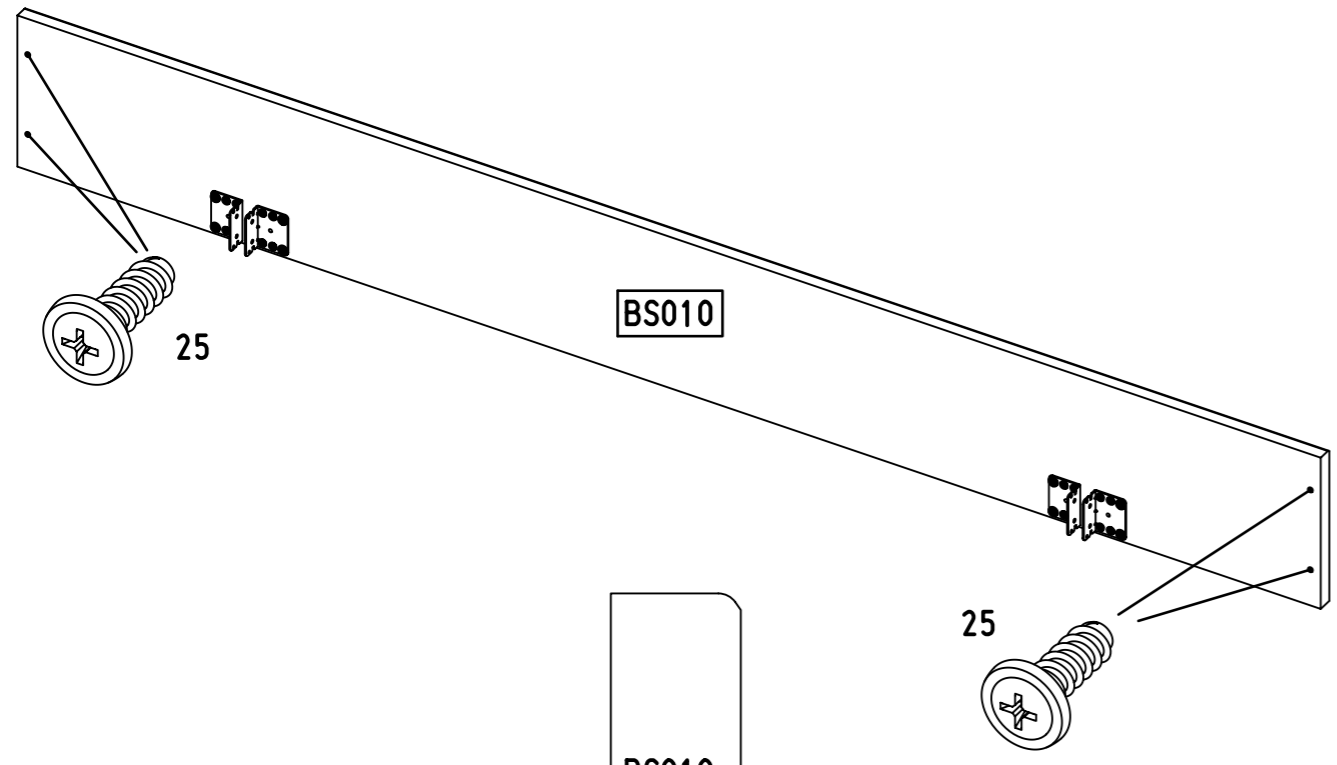
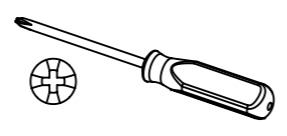
202

3

8x 25



6,3x18



BS010

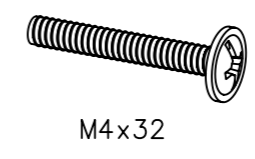
25

5mm

25

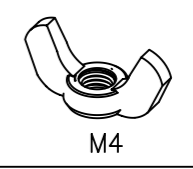
4

8x 56

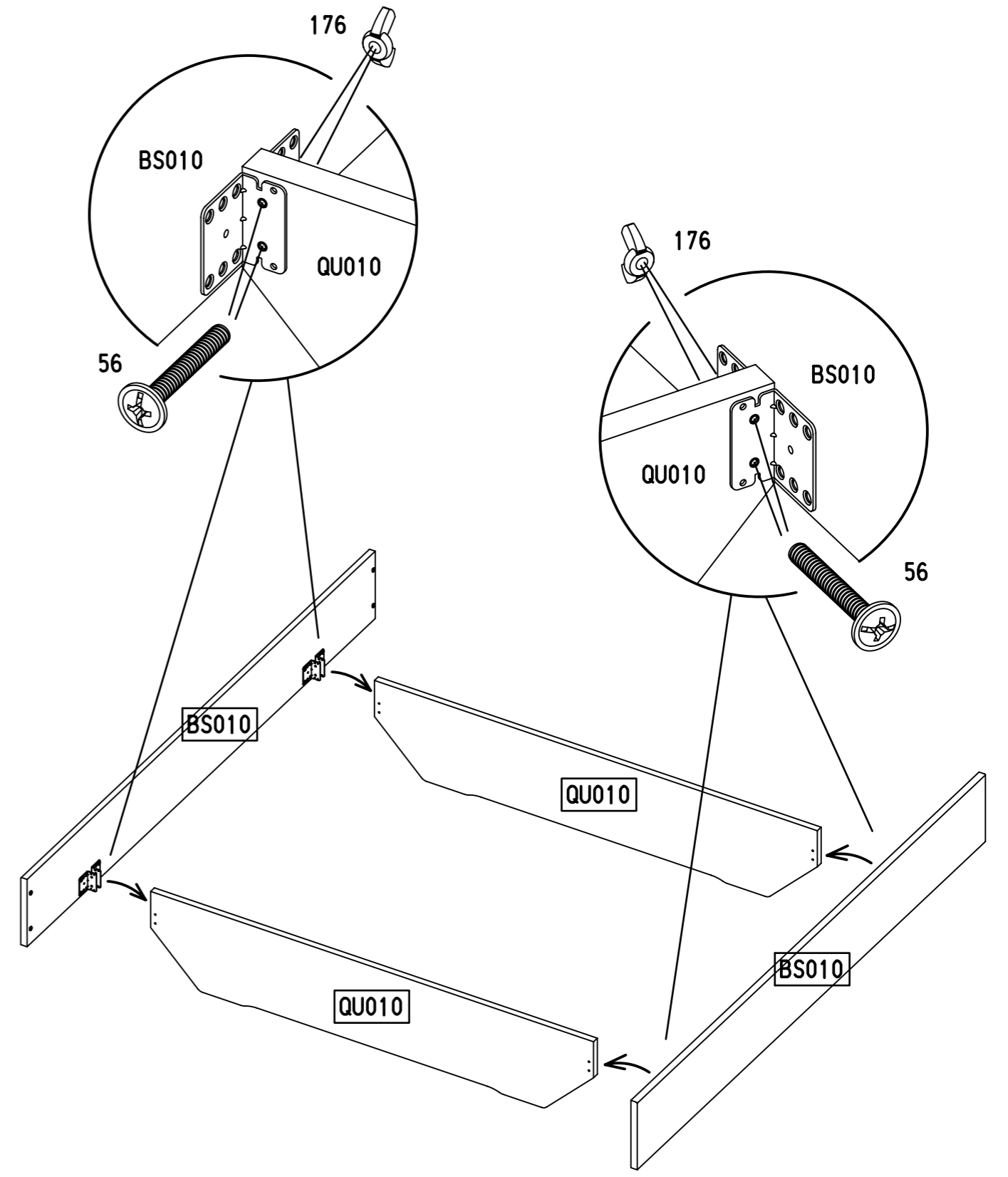
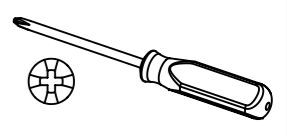


M4x32

8x 176



M4



BS010

QU010

56

BS010

QU010

QU010

BS010

BS010

QU010

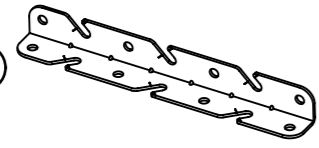
BS010

56

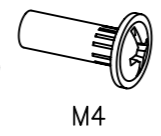
7.

5

2x 456

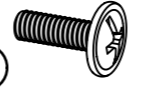


4x 580

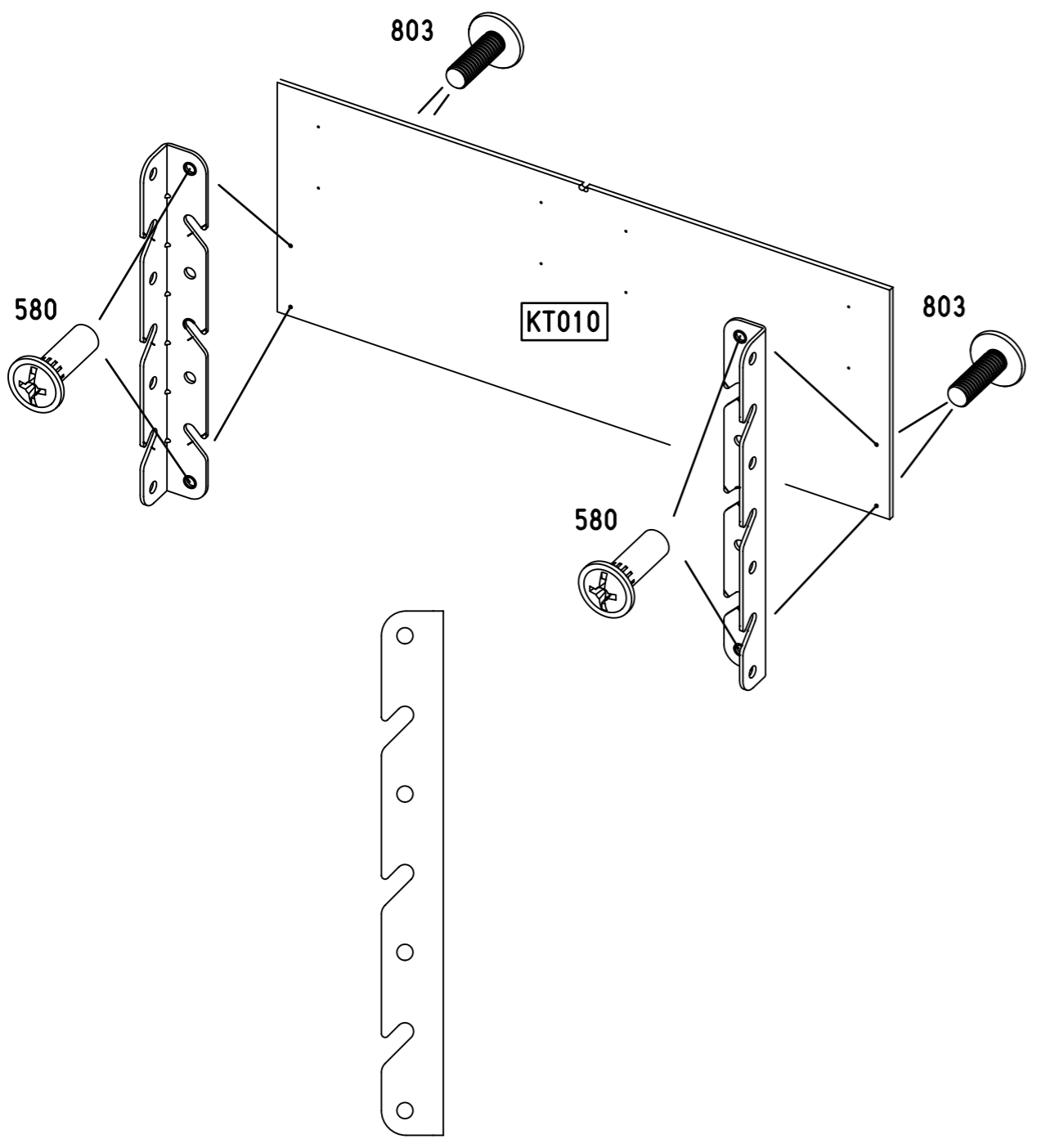
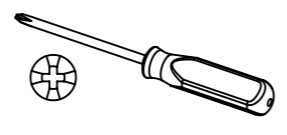


M4

4x 803



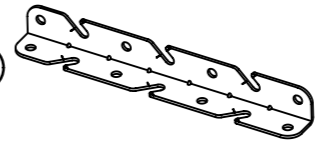
M4x12



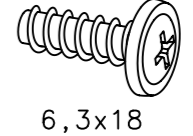
8.

6

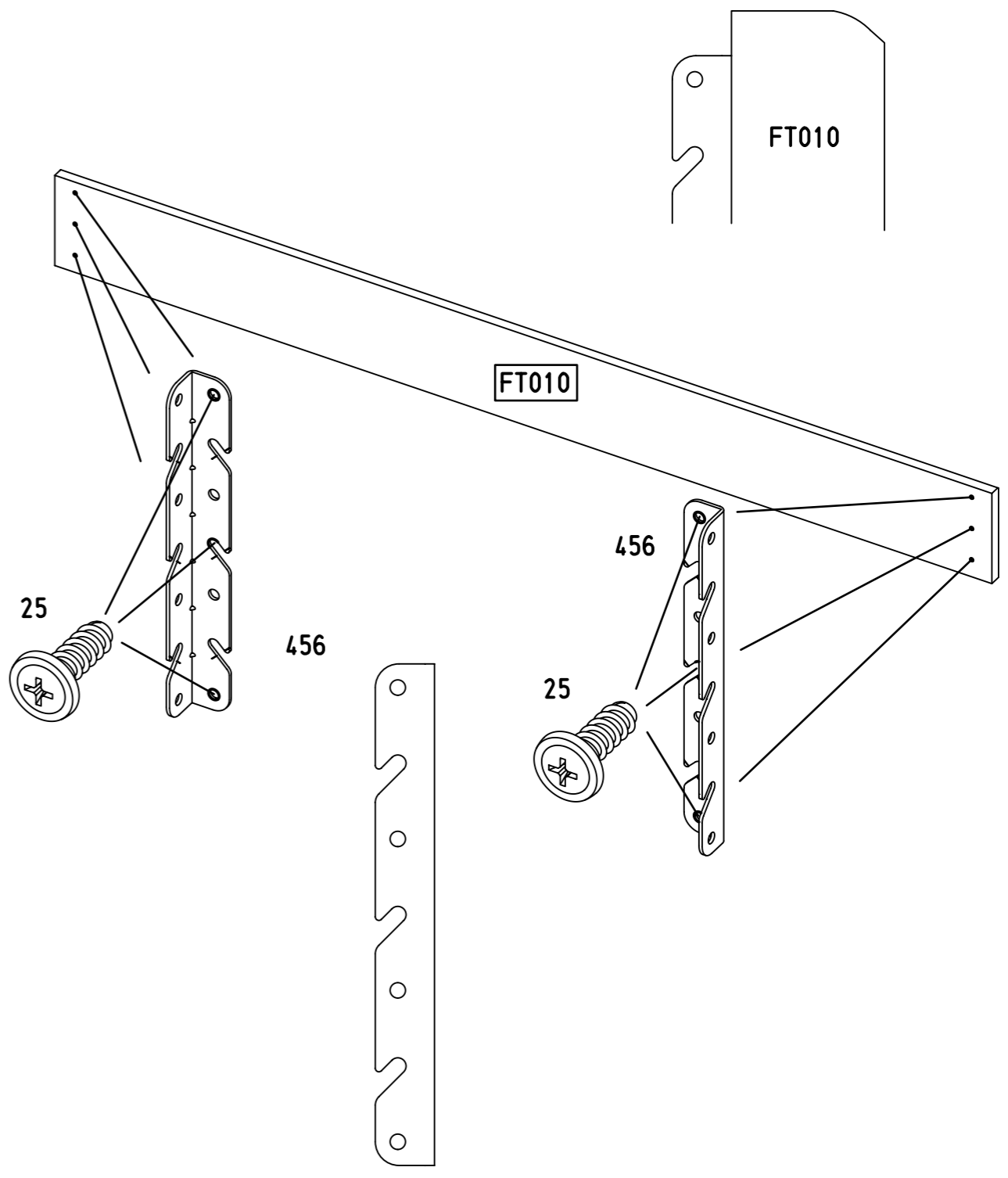
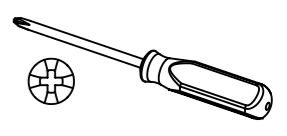
2x 456



6x 25



6,3x18

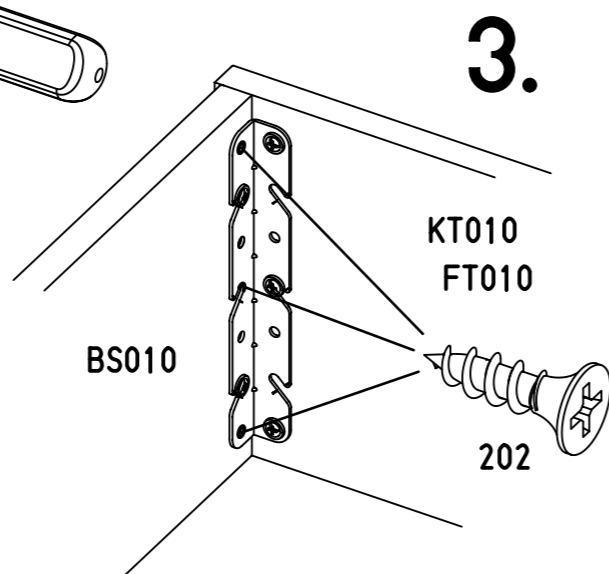
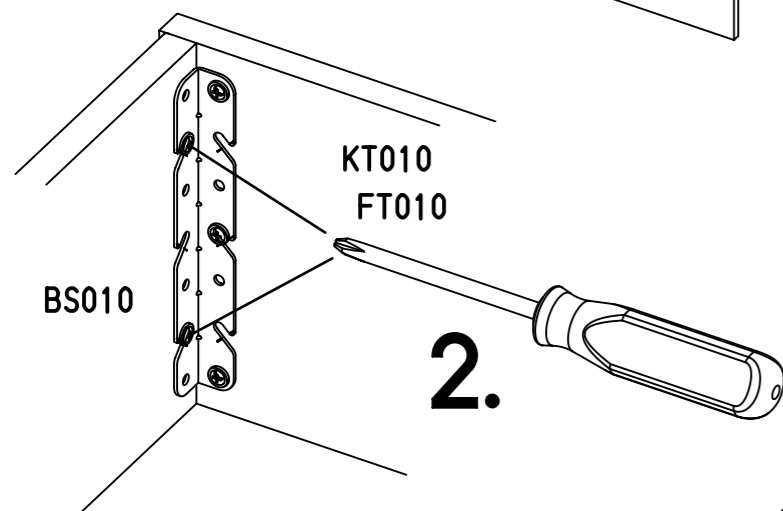
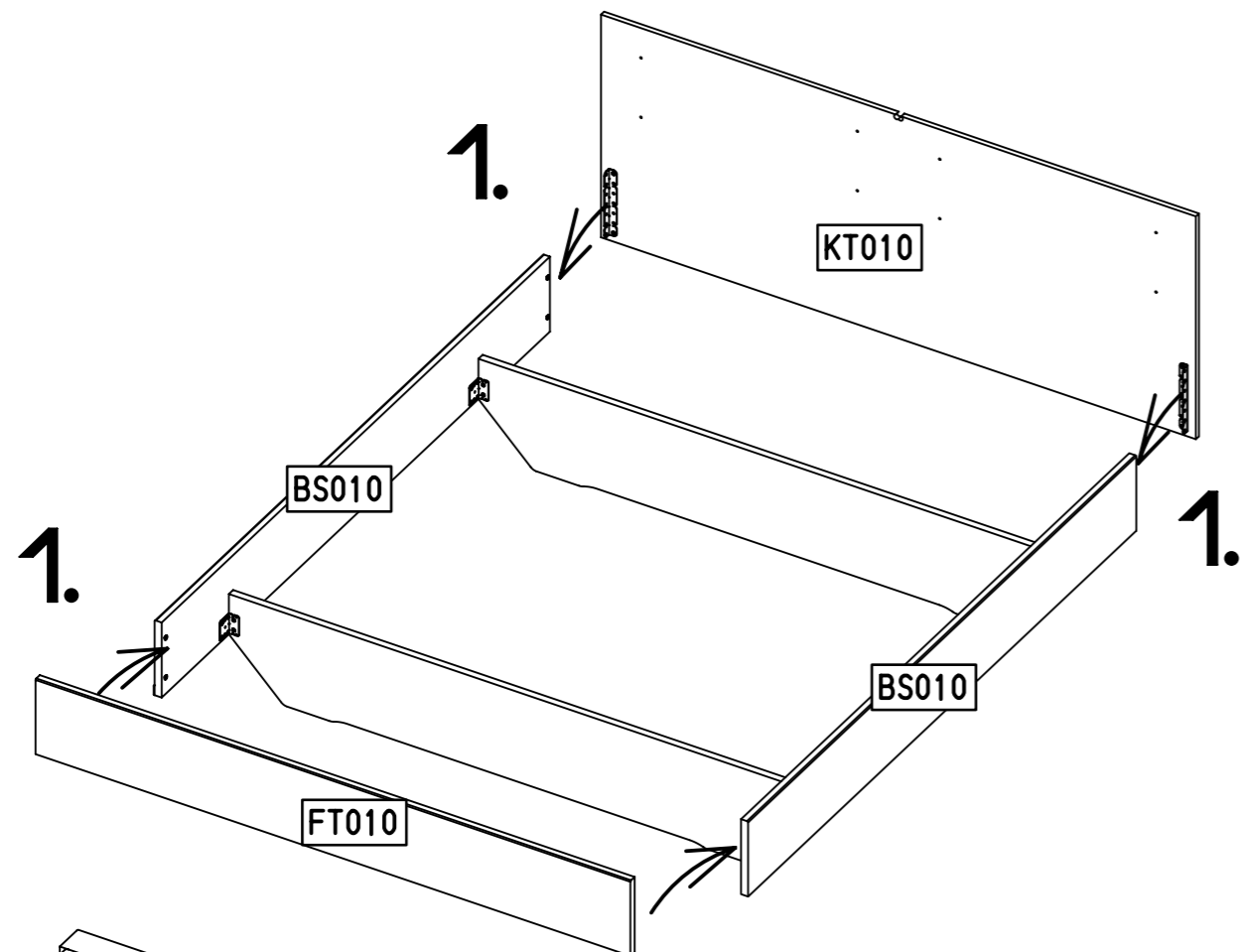
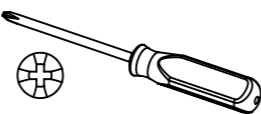


7

12x 202

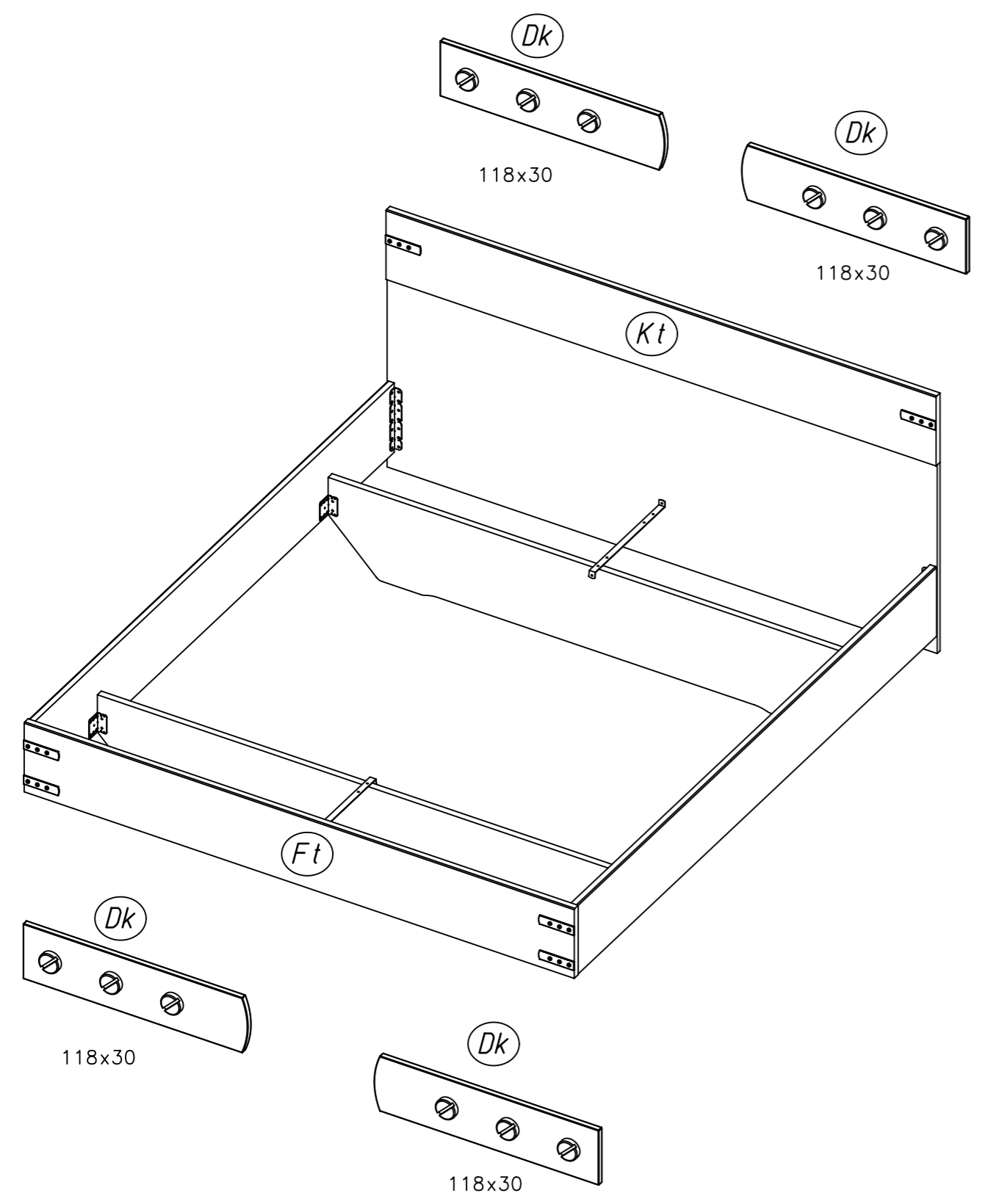


4.5x16

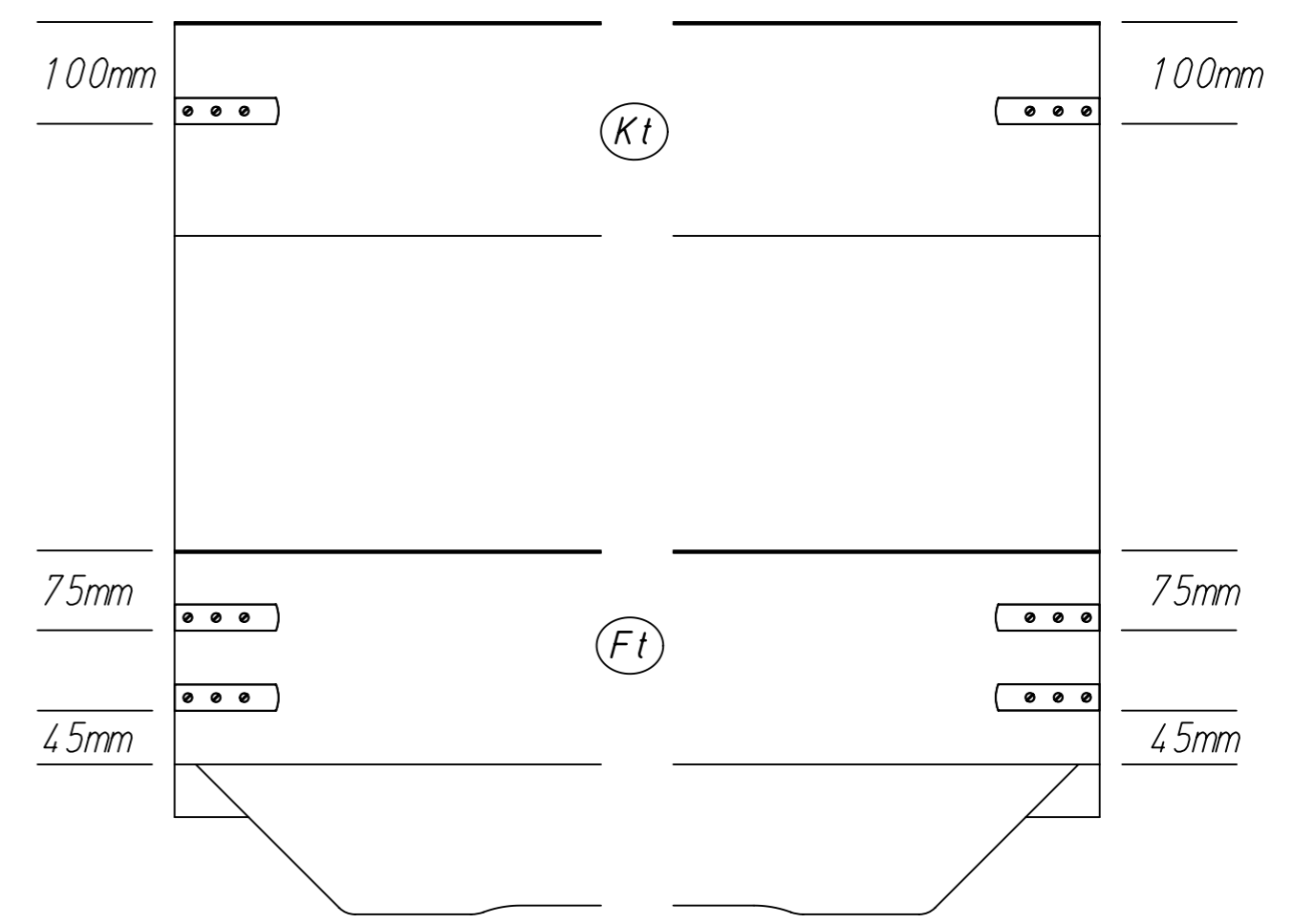
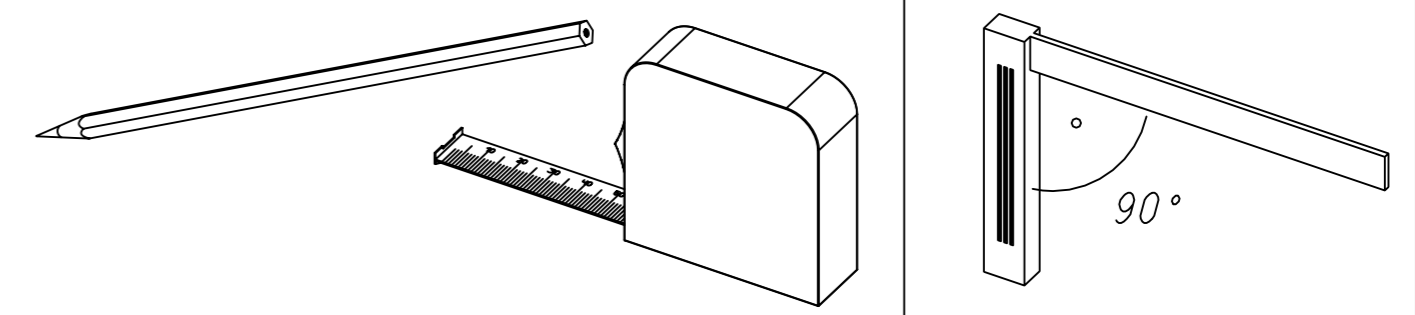


1.

MZ099_01

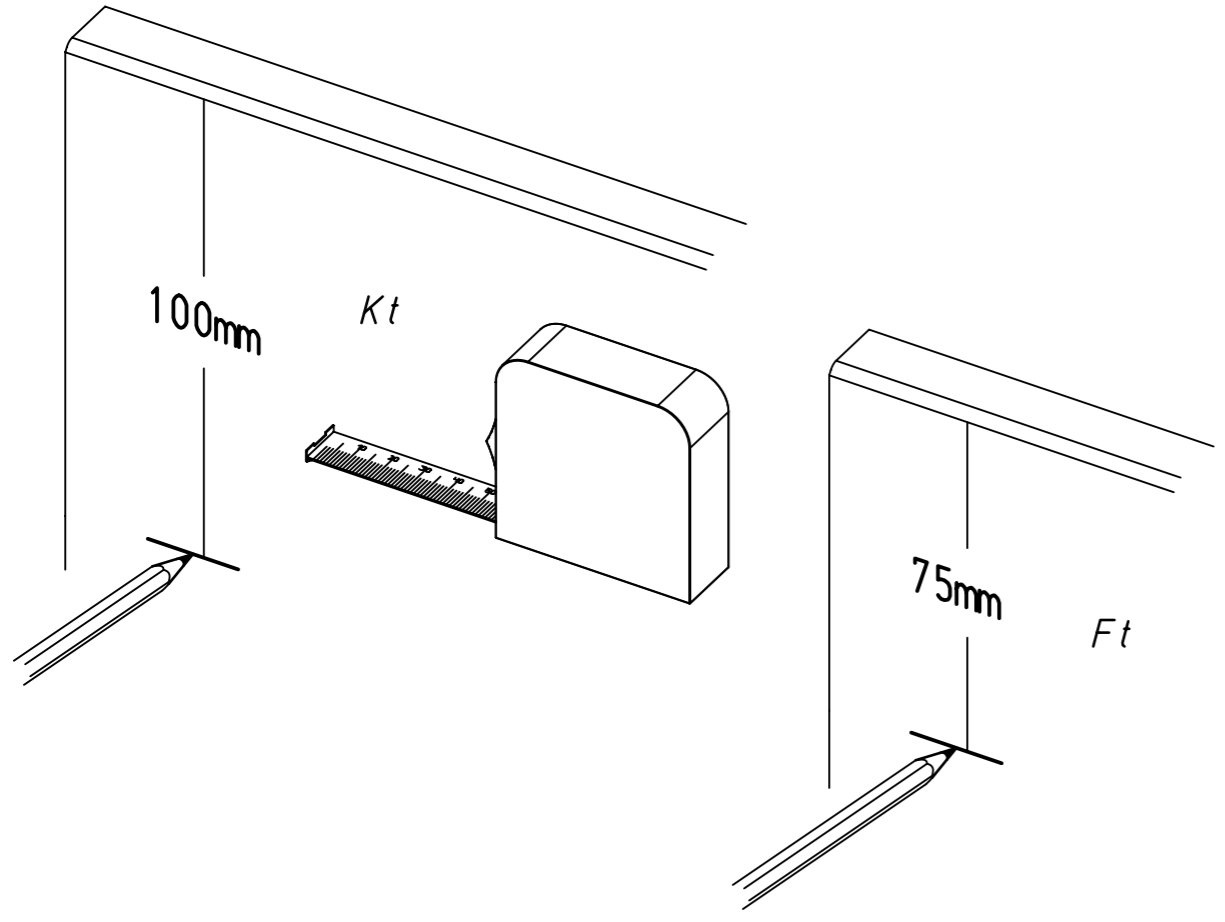
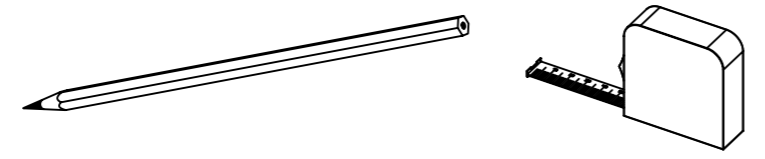


2.

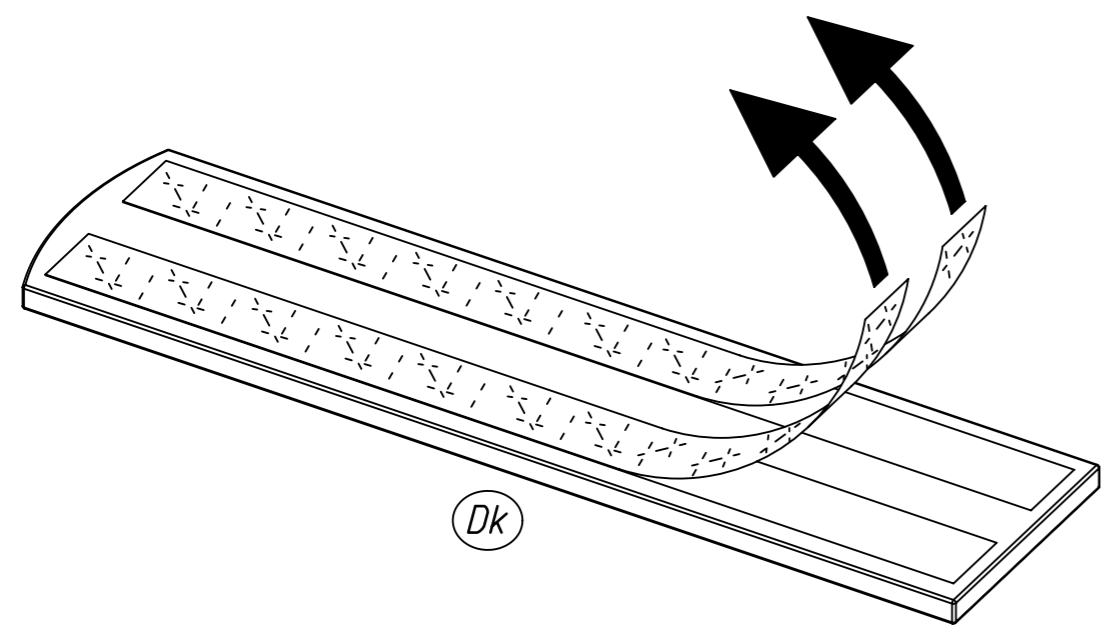


3.

1



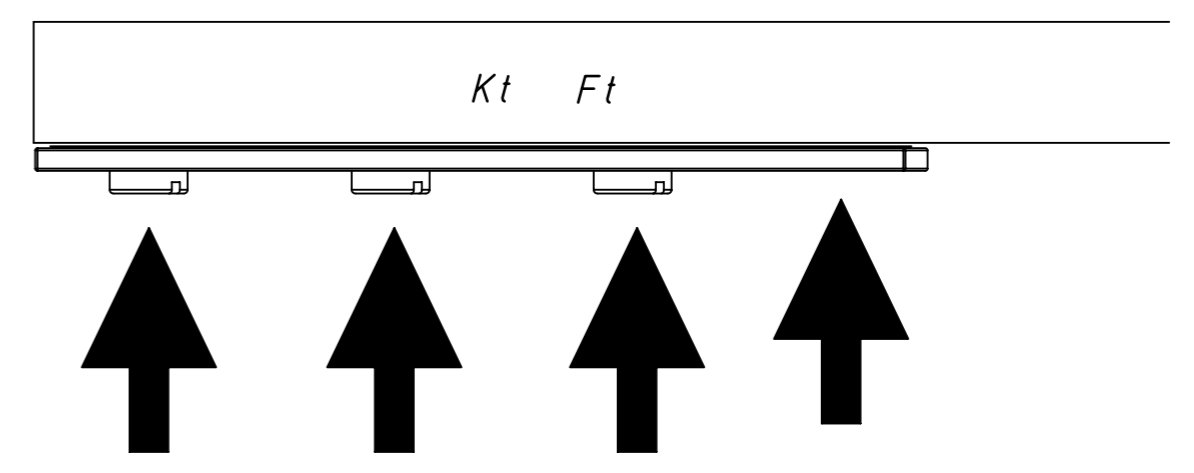
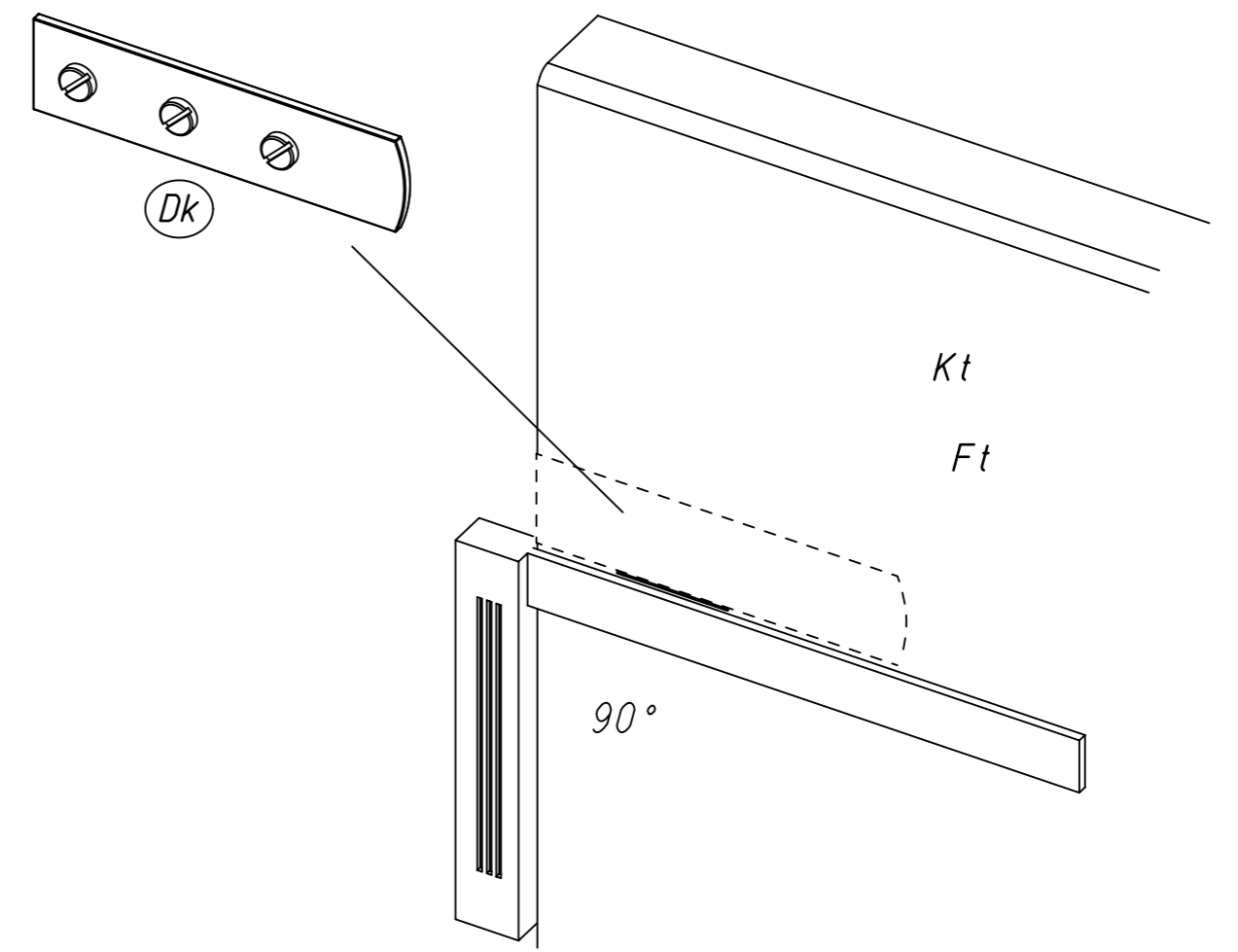
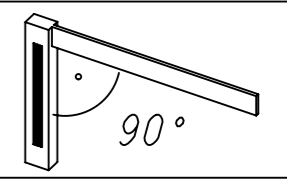
2



MZ099

4.

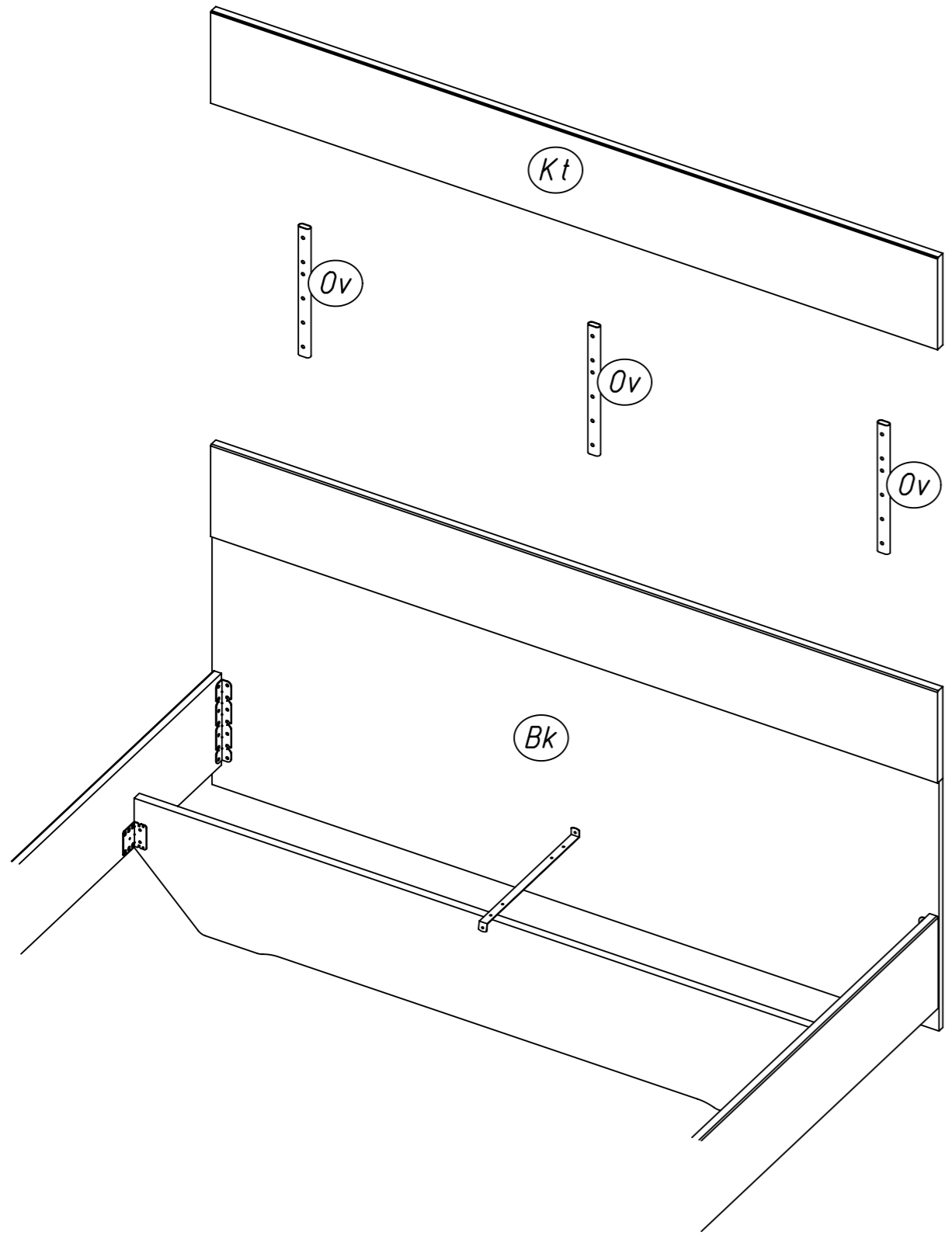
3



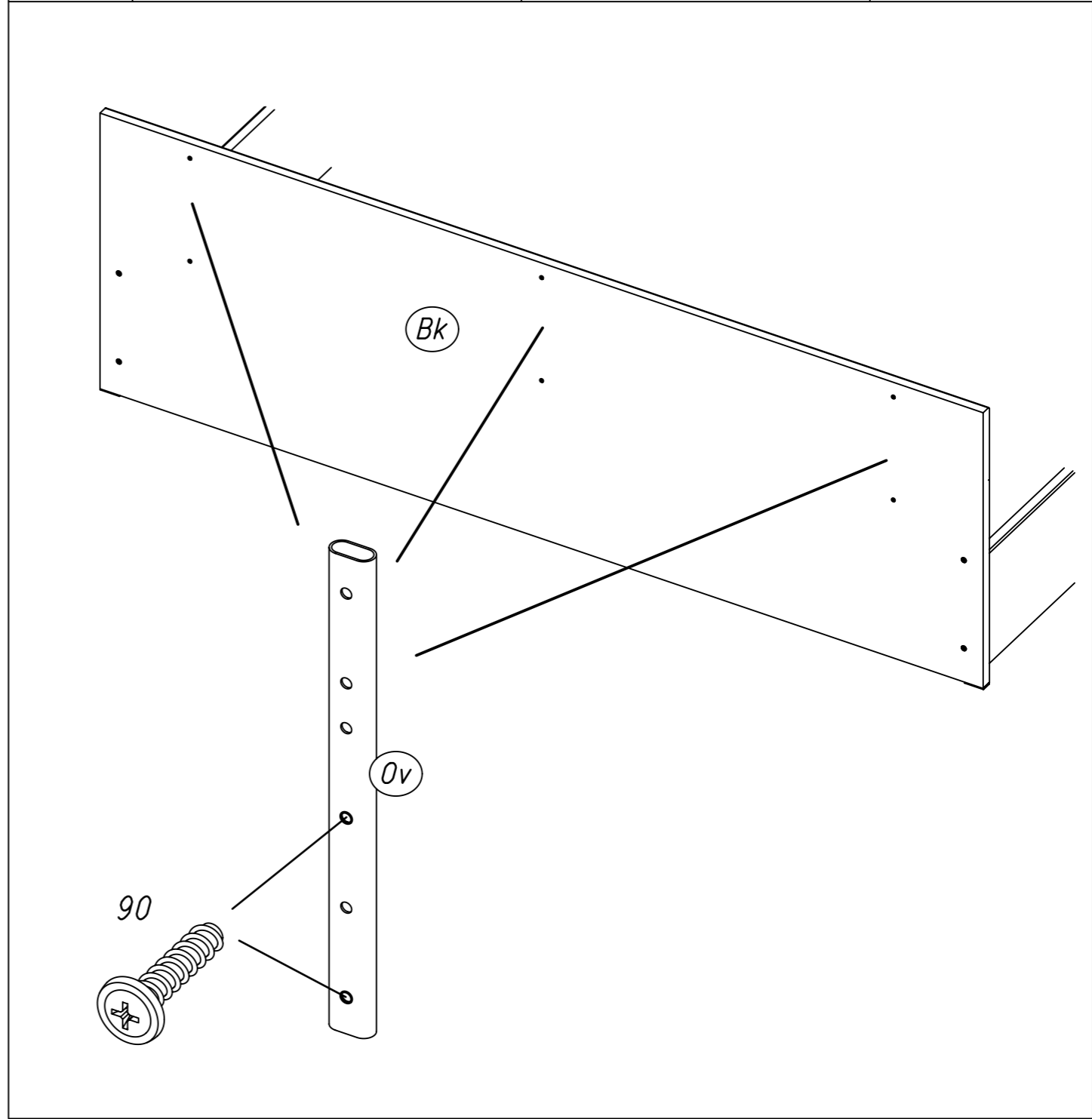
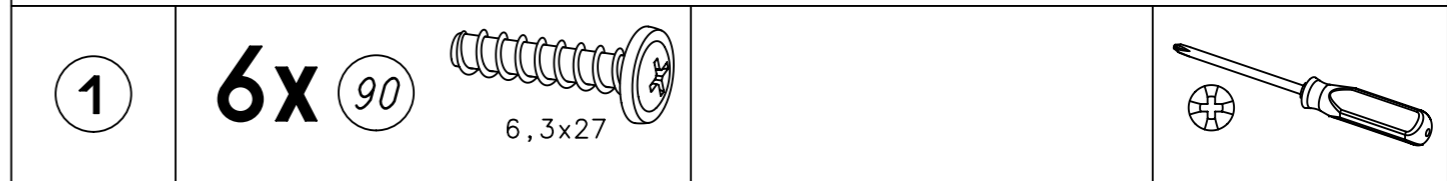
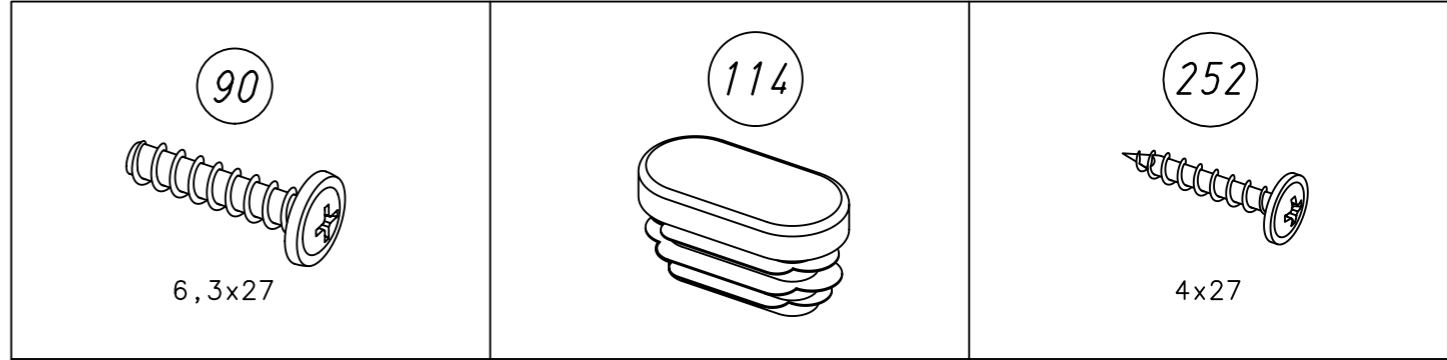
MZ099

1.

MZ100_01



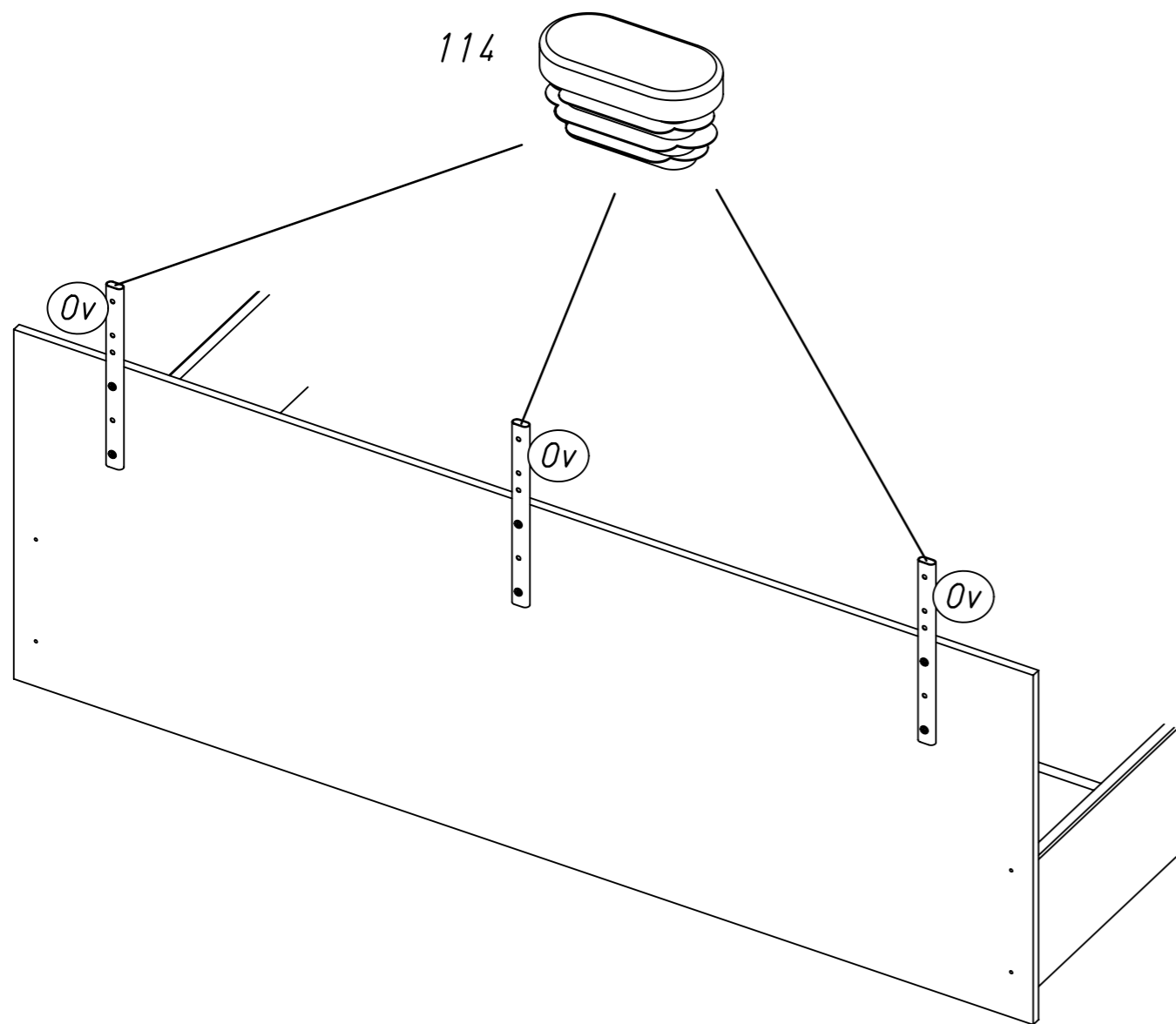
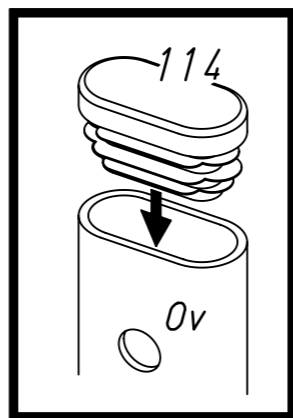
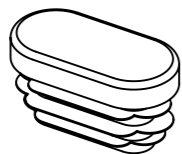
2.



2

3x

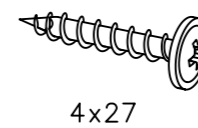
114



3

6x

252



4x27

