




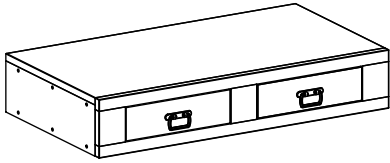
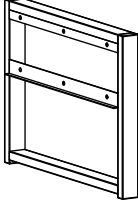
ASSEMBLY INSTRUCTIONS

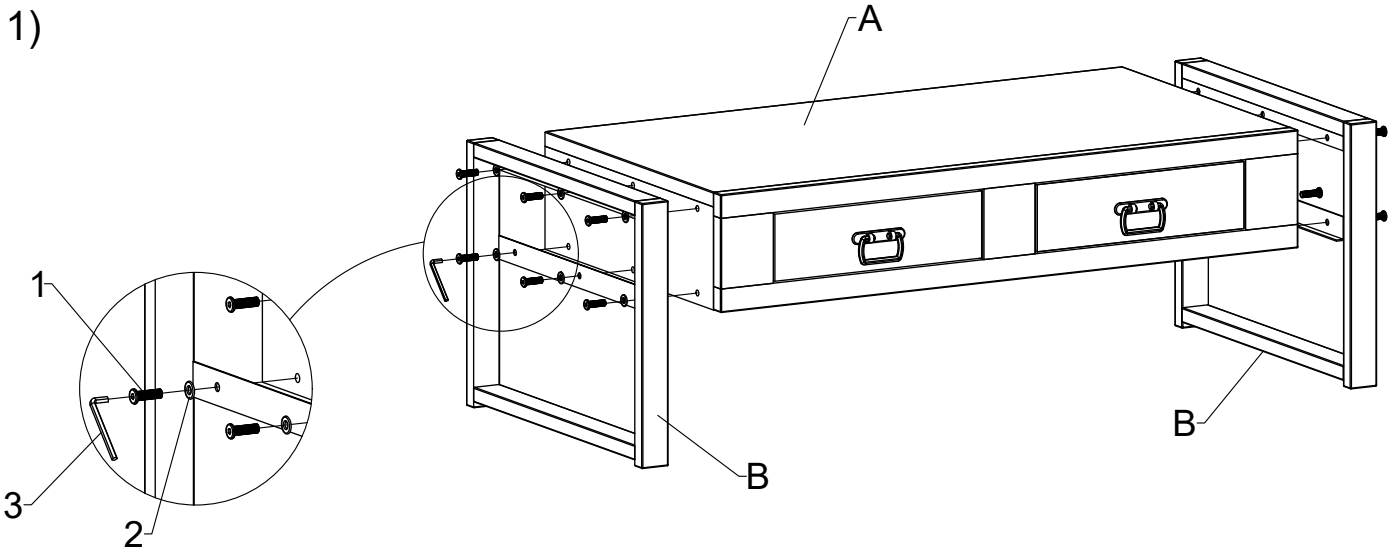
2 Drawer Coffee Table

HARDWARE :-

S.No.	Description	Qty.
1	 JCB Blot 6 x 16	12
2	 Washer 6 x 20	12
3	 Allen key 4 mm	1

PART :-

S.No.	Description	Qty.
A	 Wooden Box	1
B	 Metal Leg	2



Complete

