




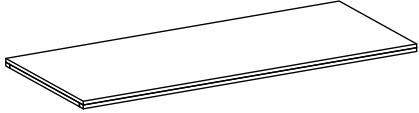
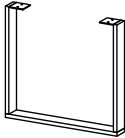
# ASSEMBLY INSTRUCTIONS

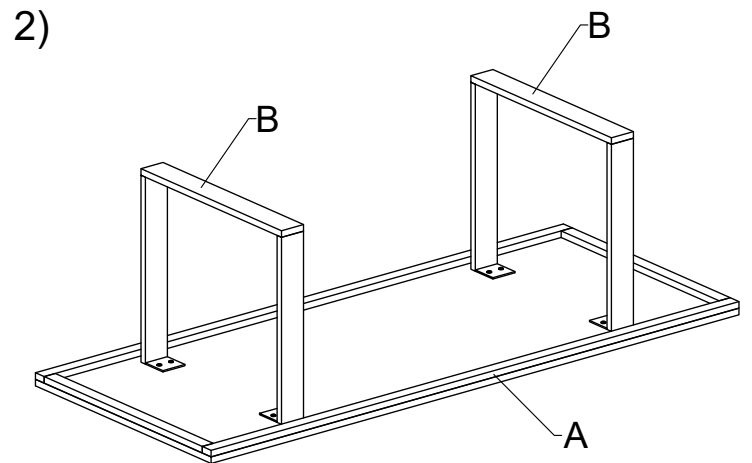
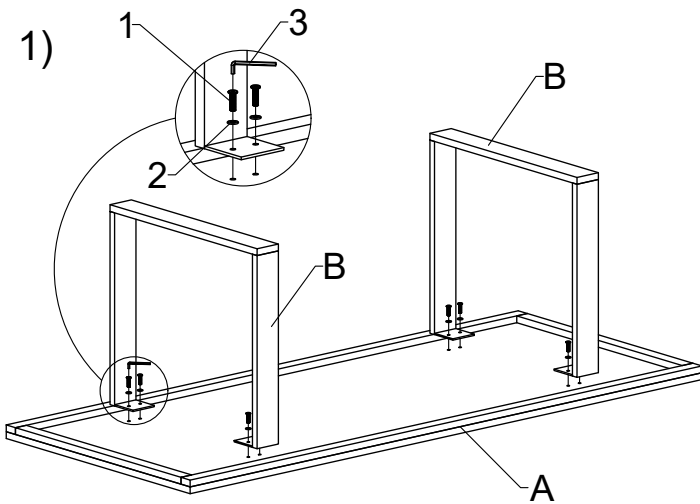
## Dining Table

### HARDWARE :-

S.No.	Description	Qty.
1	 JCB Blot 8 x 20	8
2	 Washer 8 x 25	8
3	 Allen key 5 mm	1

### PART :-

S.No.	Description	Qty.
A	 Wooden Top	1
B	 Metal Leg	2



Complete

