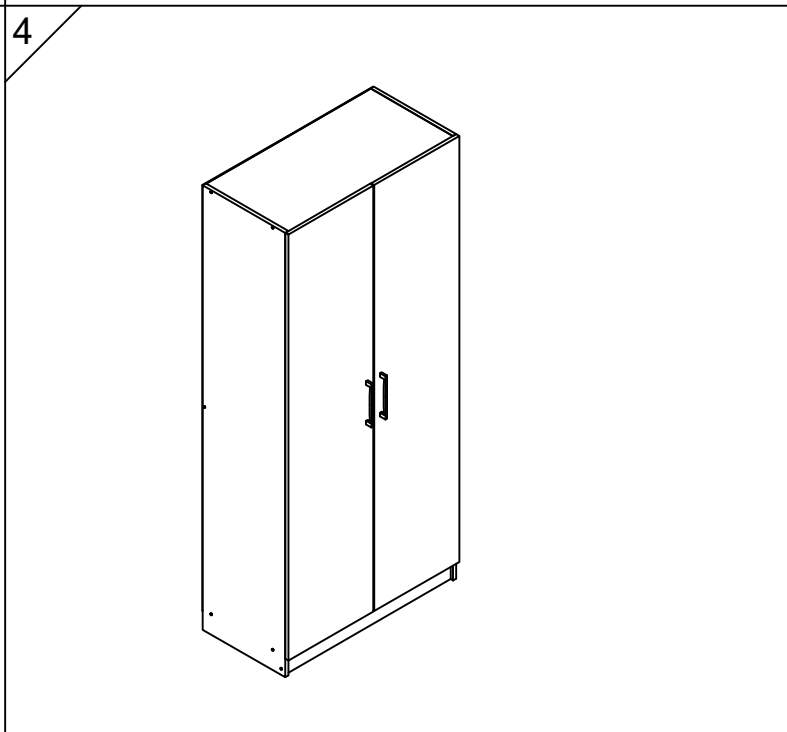
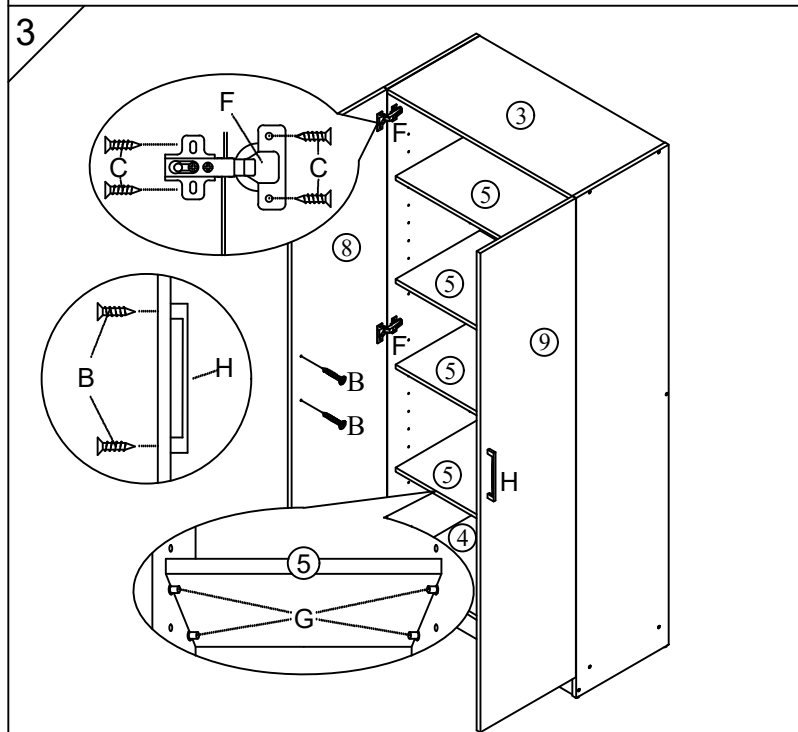
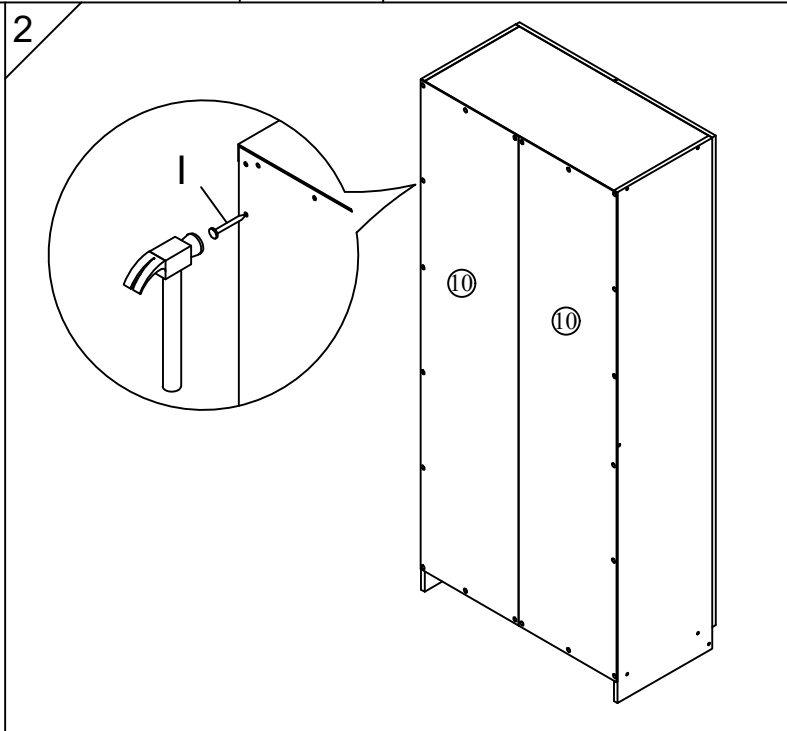
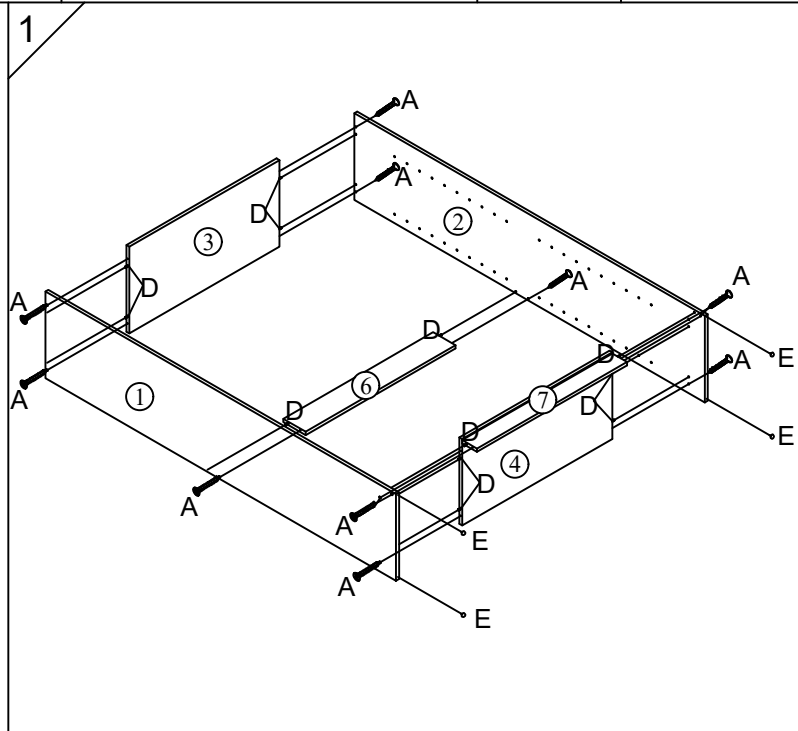
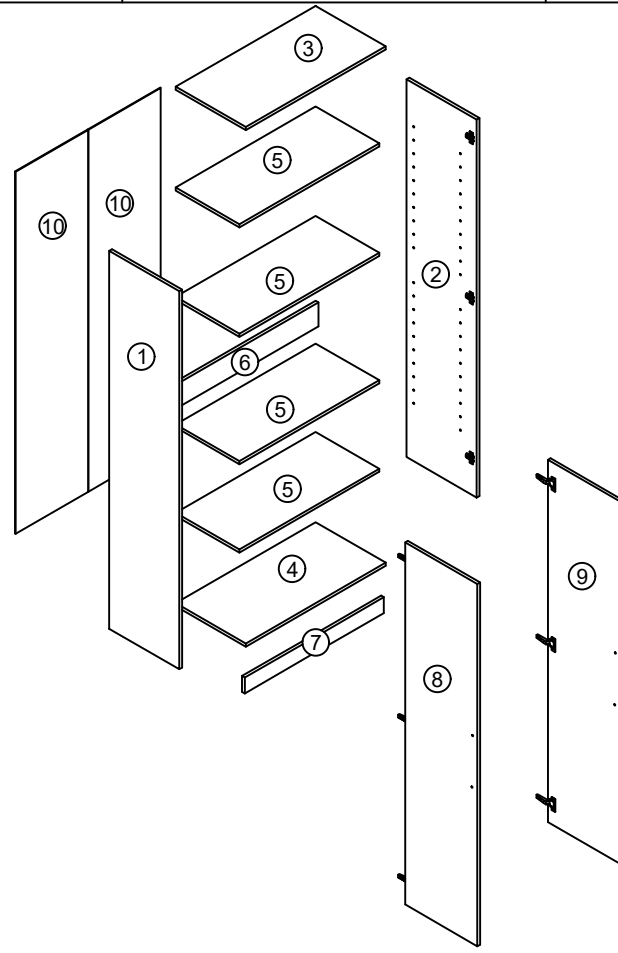


Model		Issue Date	11 - 12 - 2022	Draw By	YN NG	Approved By / Date	
Form No		Revision	WAR 1.0	Checked By	YN NG	Sheet	01 / 01
Description	Assembly Instructions						



A		M4 x 45mm CSK SCREW	12
B		M4 x 30mm CSK SCREW	4
C		M4 x 16mm CSK SCREW	24
D		WOOD DOWEL M6 x 25mm	12
E		PVC NAIL	4
F		HINGES 5/8"	6
G		SHELF SUPPORT METAL	16
H		PVA HANDLE AC81-160	2
I		NAIL	26