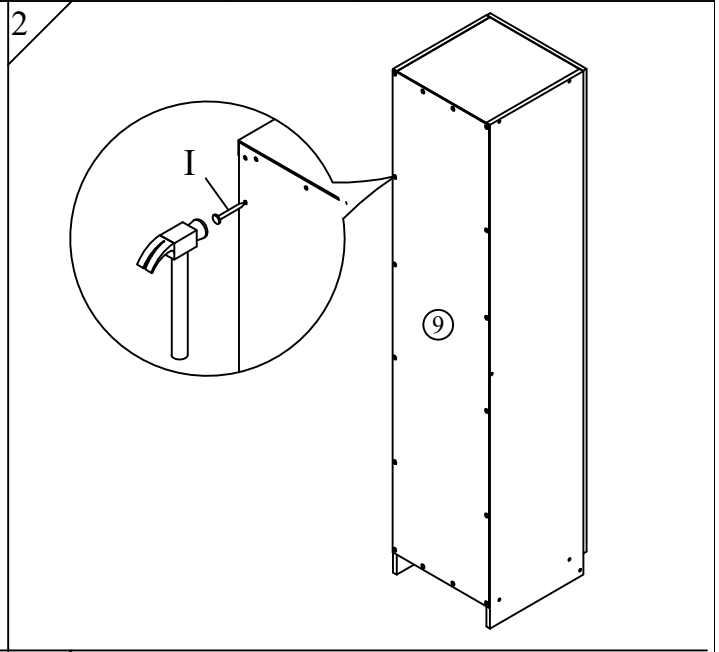
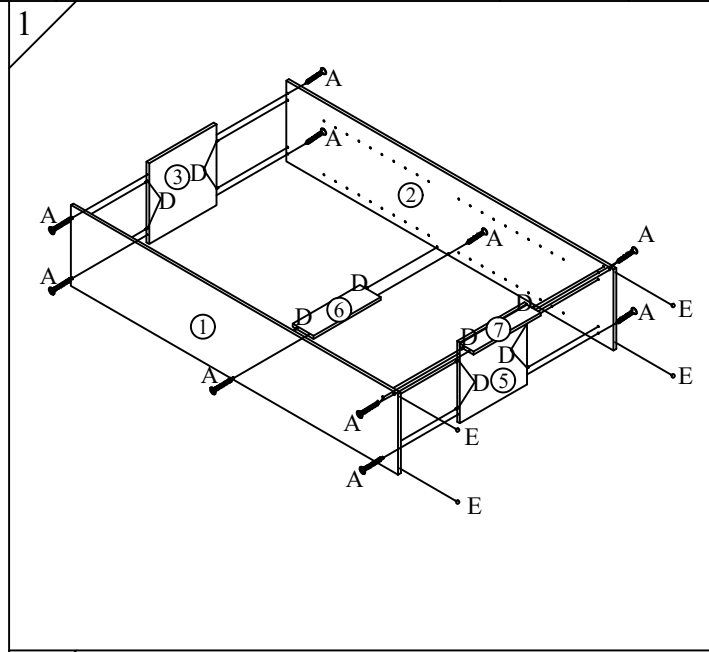
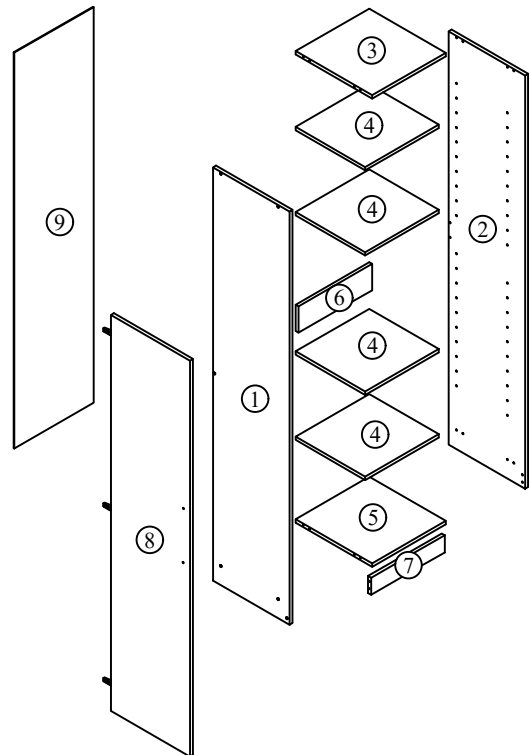


Model		Issue Date	12 - 11 - 2022	Draw By	YN NG	Approved By / Date	
Description		Finished Size	W400 x D400 x H1800 mm	Checked By	YN NG	Sheet	01 / 01
Revision	WAR 1.0						



A		M4 x 45 CSK SCREW	12
B		M4 x 30 CSK SCREW	2
C		M4 x 16 CSK SCREW	12
D		WOOD DOWEL M6 x 25mm	12
E		PVC NAIL	4
F		HINGES 5/8"	3
G		PVC SHELF SUPPORT	16
H		PVC HANDLE AC81-160	1
I		NAIL	22

