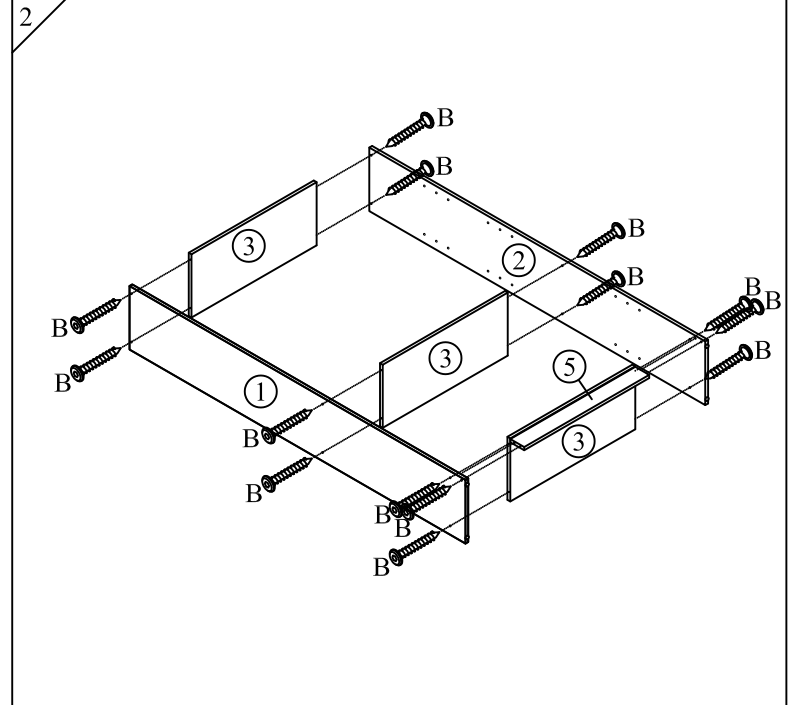
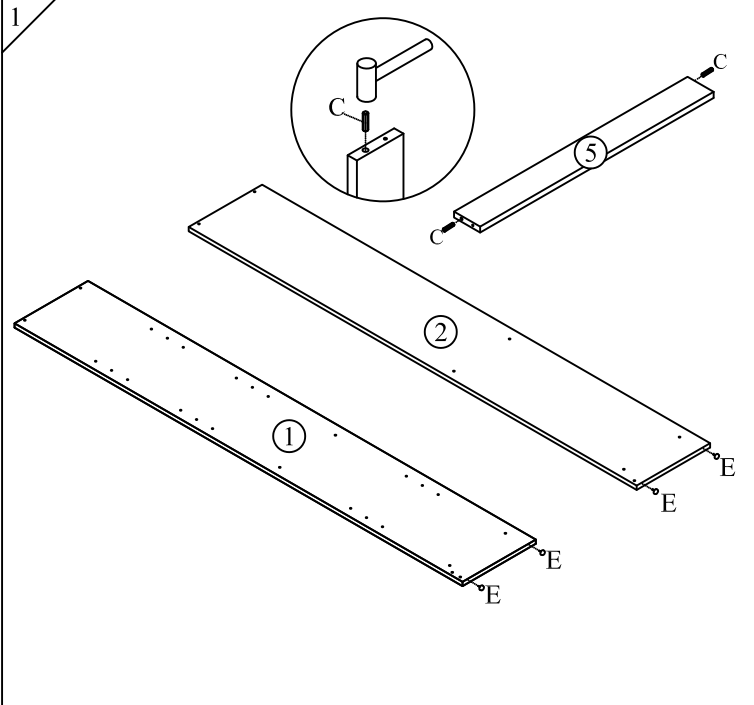
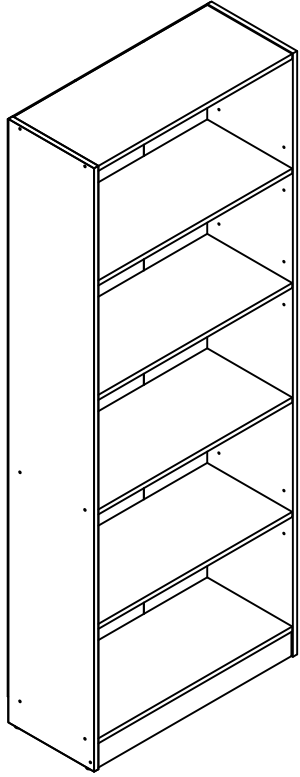


Model	DN STC 201 450-3-E1	Issue Date	18 - 10 - 2023	Draw By	YN NG	Approved By / Date	
Form No	P13-RD-05-Rev01	Revision	STC 1.0	Checked By	YN NG	Sheet	01 / 01
Description	Assembly Instructions						



A		ALLEN KEY	1
B		M5 x 40mm JCBCW SCREW	14
C		WOOD DOWEL 6 x 25mm	2
D		METAL SHELF SUPPORT	12
E		PVC NAIL	4
F		NAIL	39

