

AX1



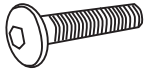
BX1



Cx1



Dx4



M6*40

Ex2



M8*16

Fx4

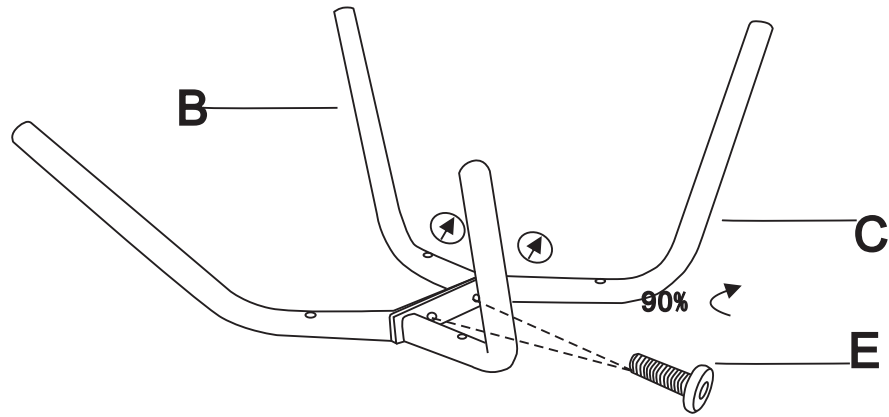


6*16*1

Gx1



1



2

