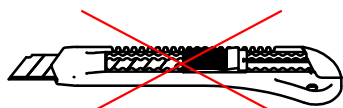
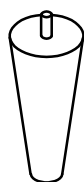


30 min

Assembly instruction



CAUTION!
Unfold carefully do not use knife



8 x

OR

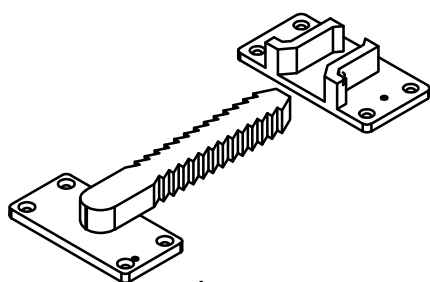


4 x

+



2 x



1 x



4 x



4 x



4 x

1-Box

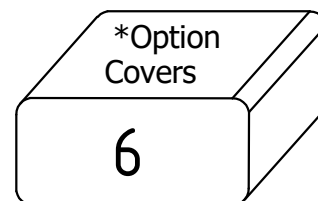
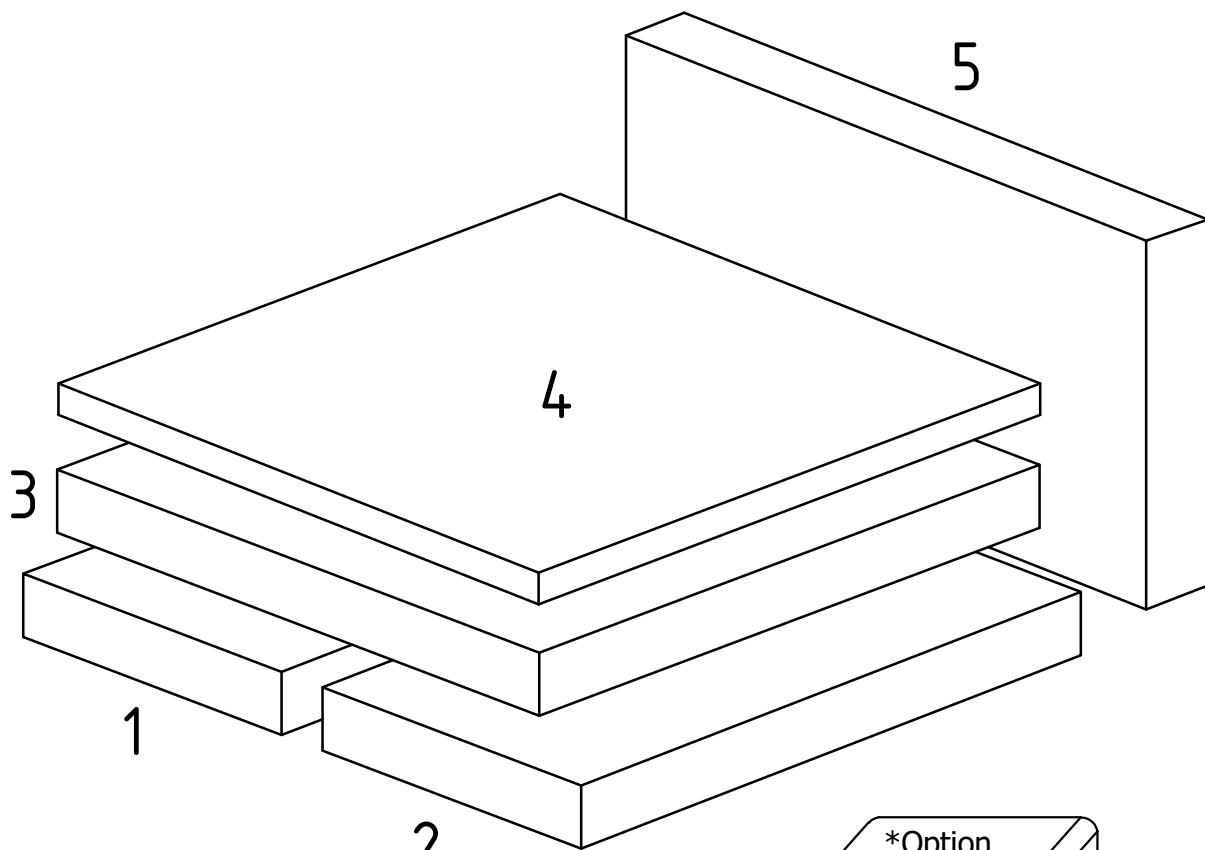
2-Box

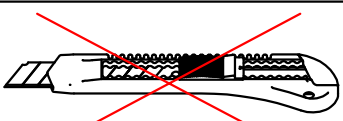
3-Mattress

4-Topper

5-Headboard

6-* Option: Covers (LB - For Boxes, LM - For Mattress, LH - For Headboard)

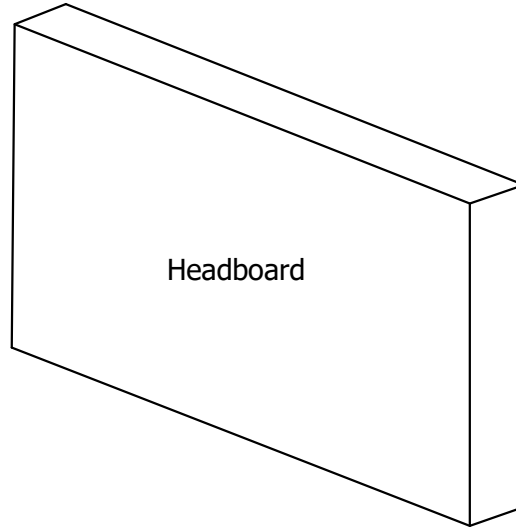




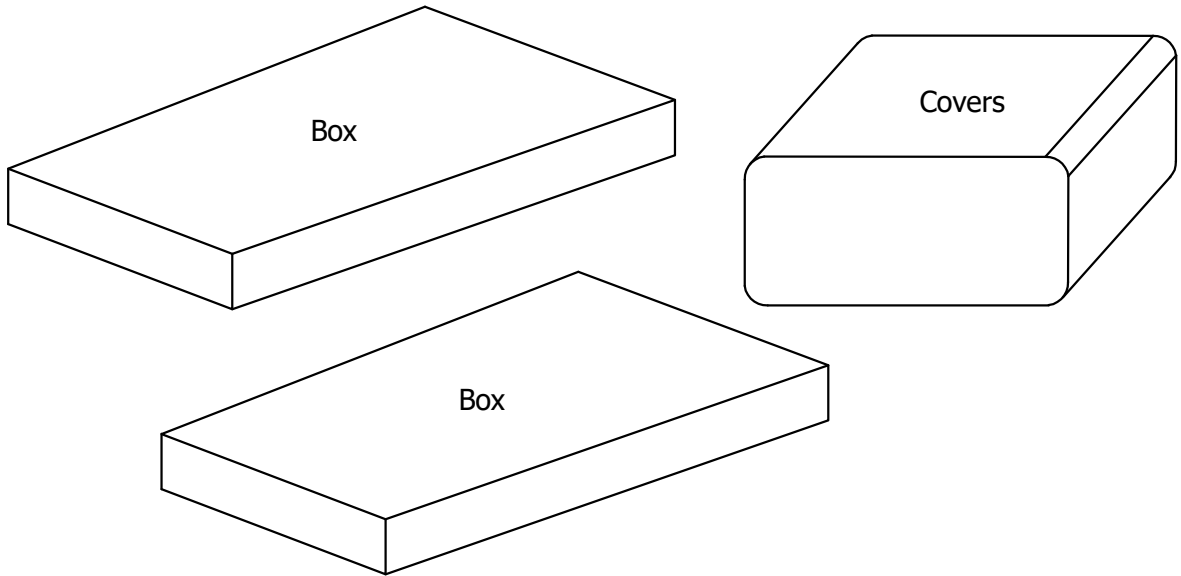
CAUTION!
Unfold carefully do
not use knife

Unpacking

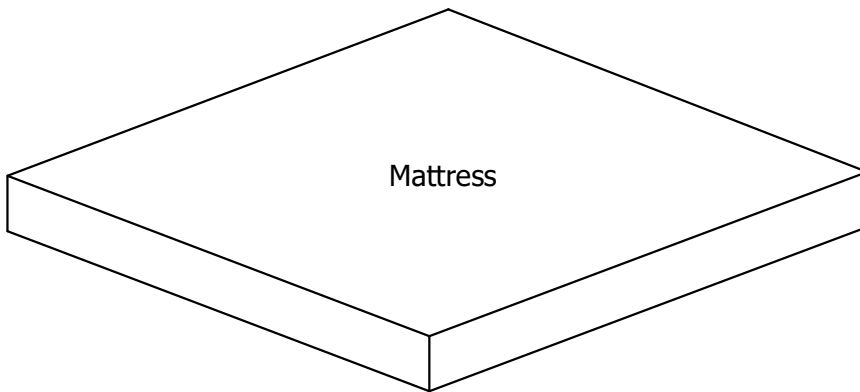
Step 1



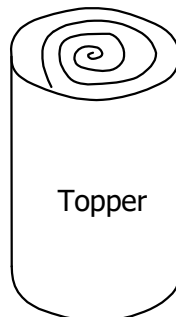
Step 2



Step 3



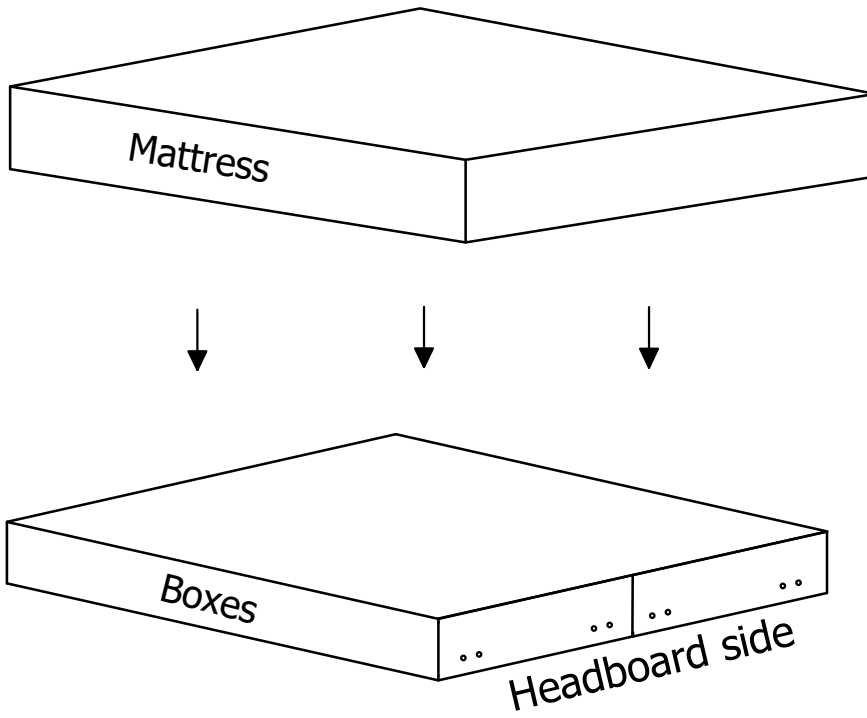
Step 4



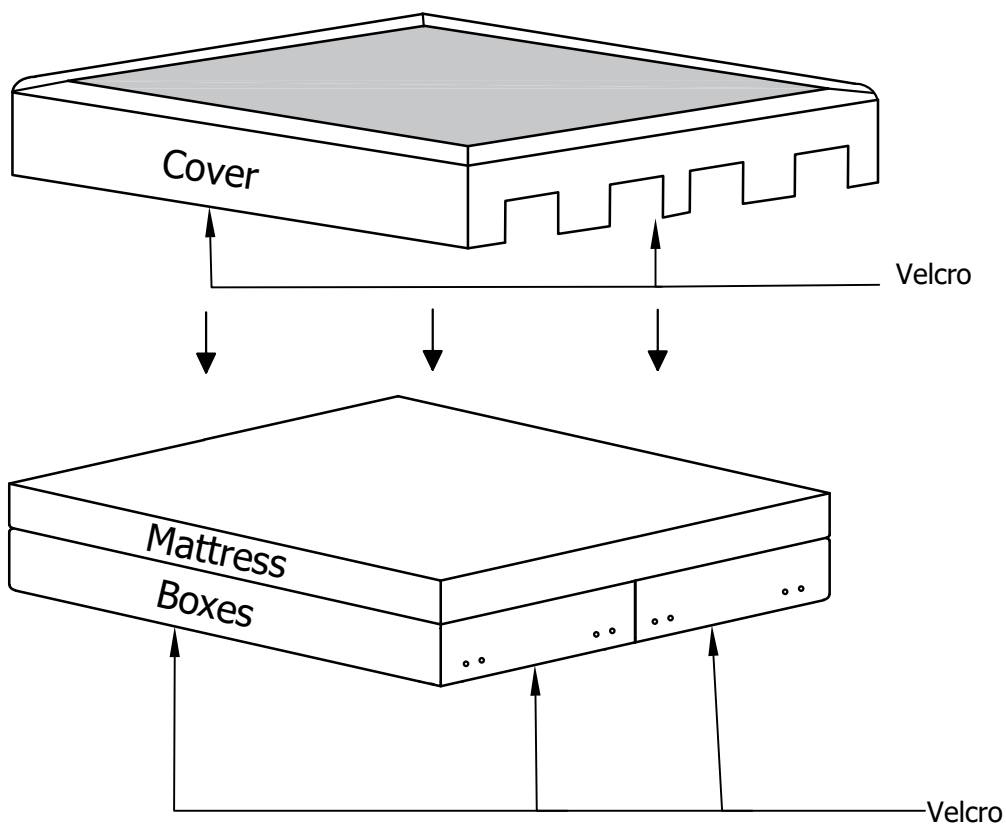
1 Cover with velcro

1a All in one cover (Two boxes and mattress)

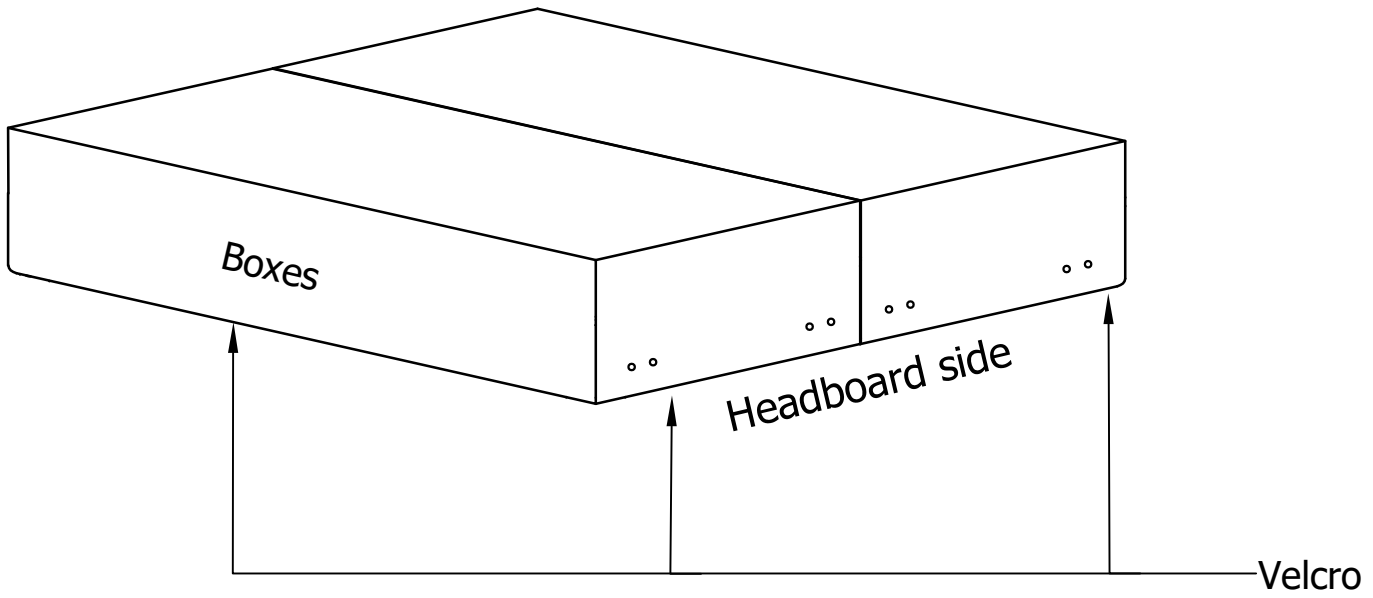
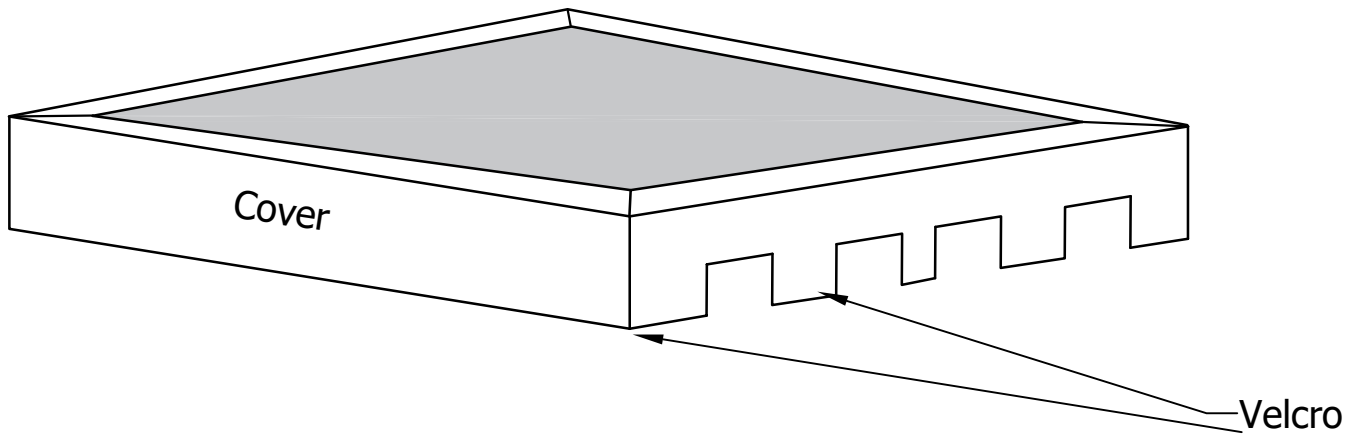
Step 1



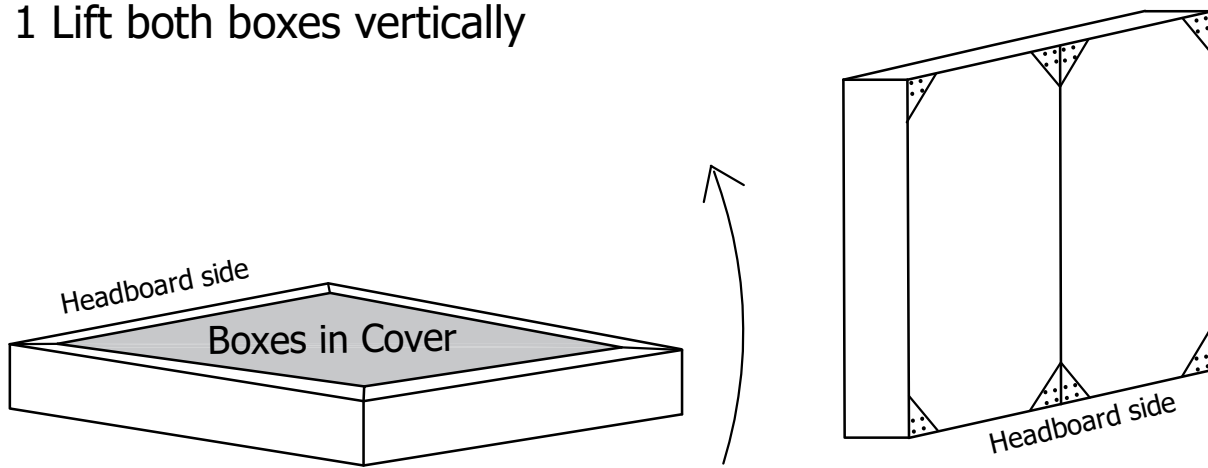
Step 2



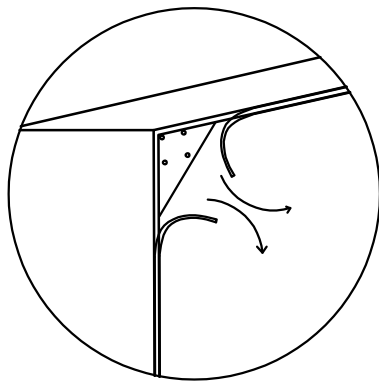
1b) Two boxes in one cover



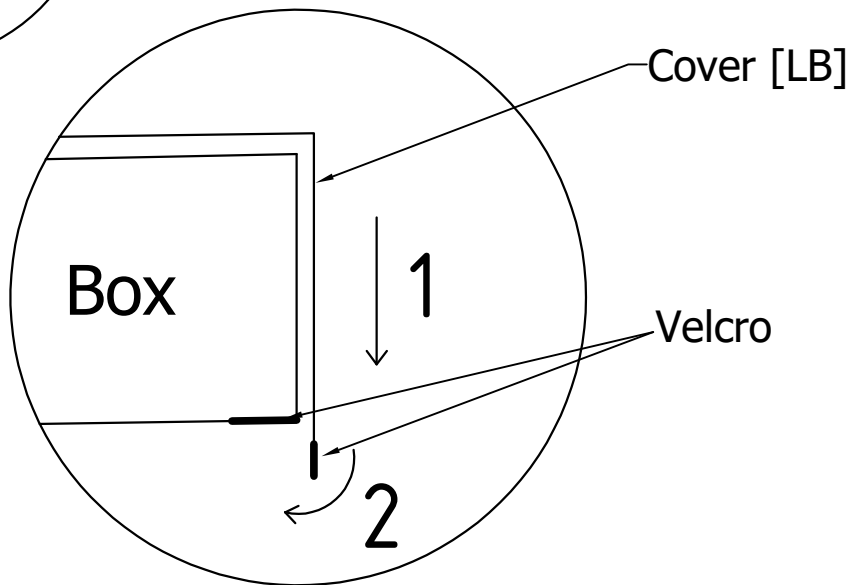
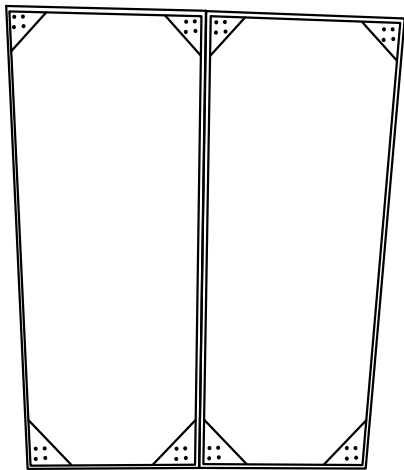
Step 1 Lift both boxes vertically



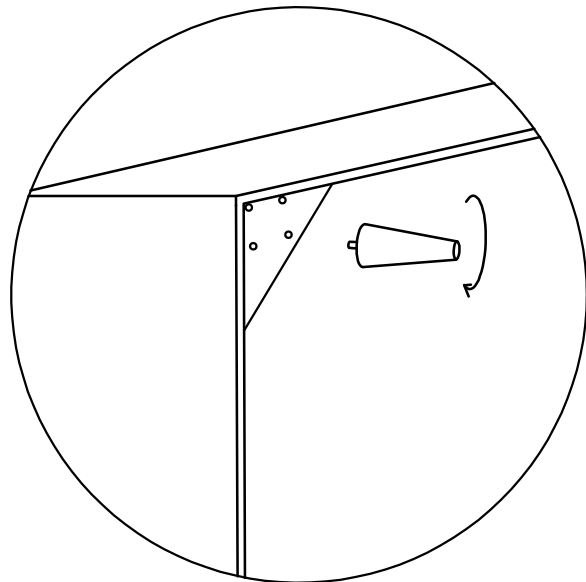
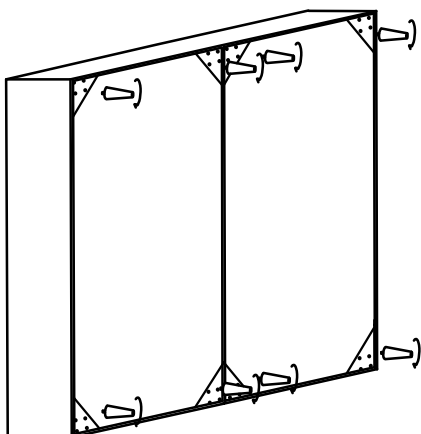
Step 2 Remove the protective tapes



Step 3 Connect velcro around

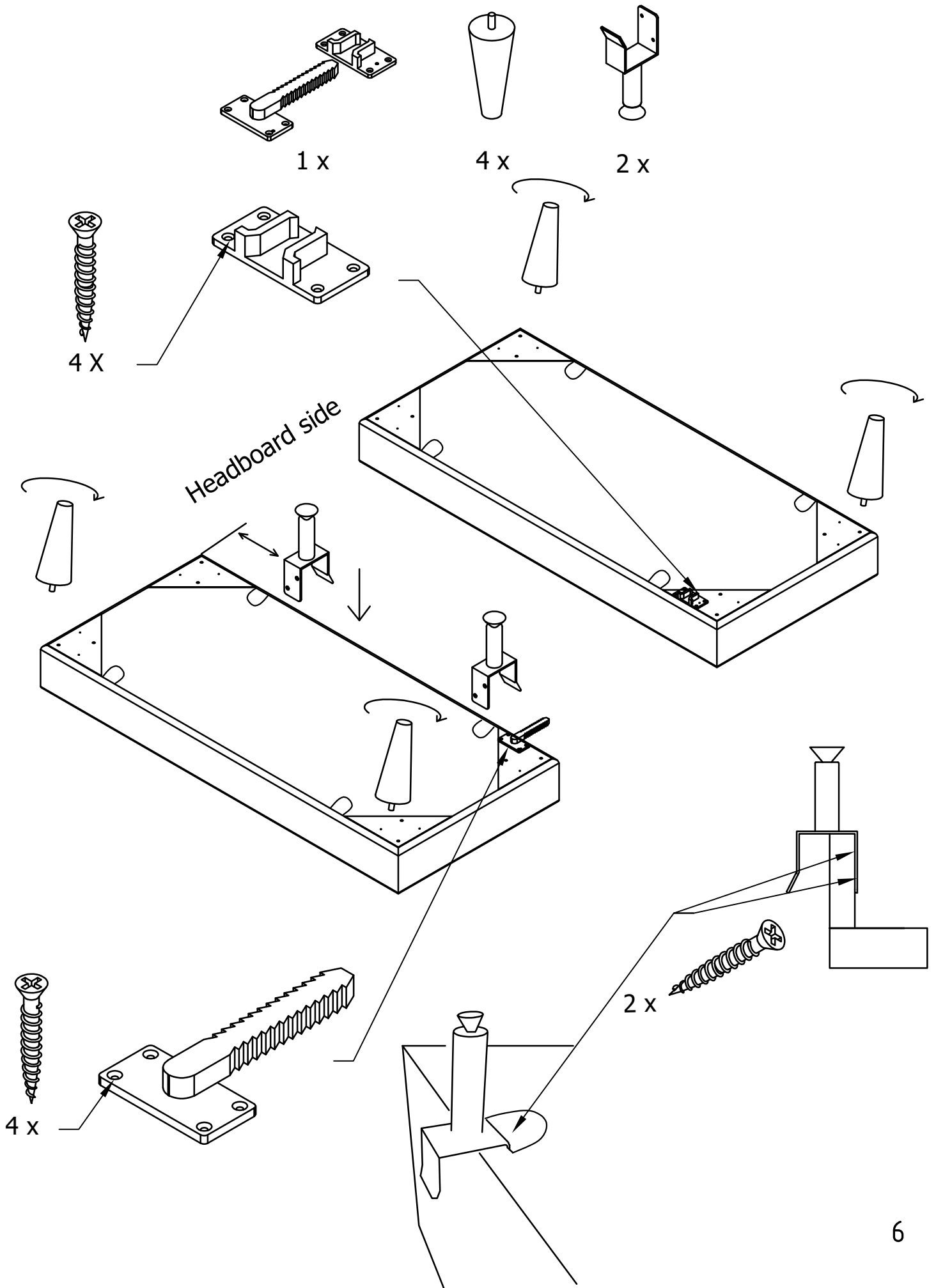


Step 4 Install the legs



2 Upholstered bed

2a Bed with four legs + two support legs

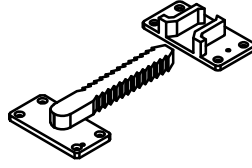


2b

Bed with eight legs



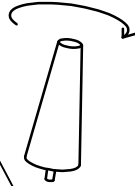
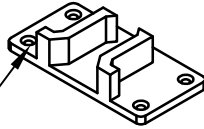
8 x



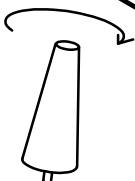
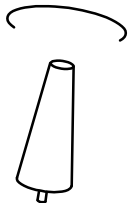
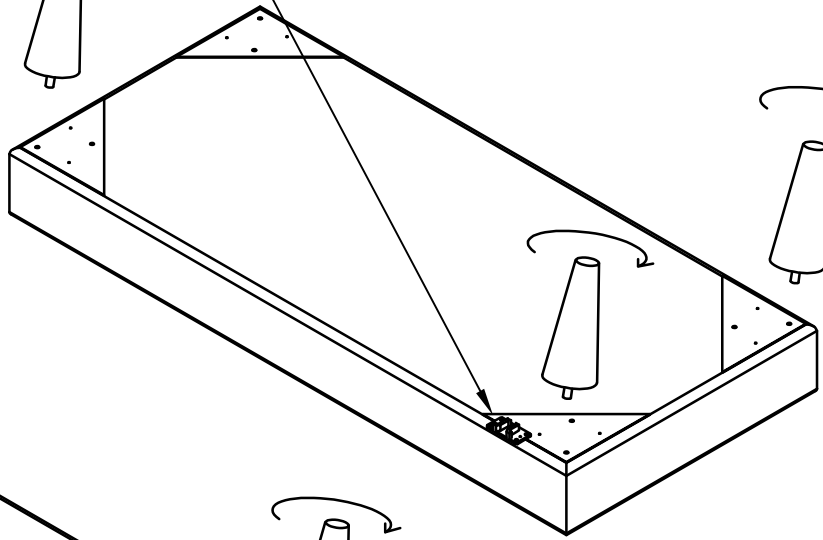
1 x



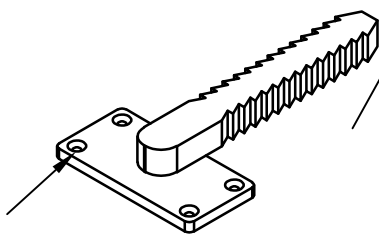
4 X



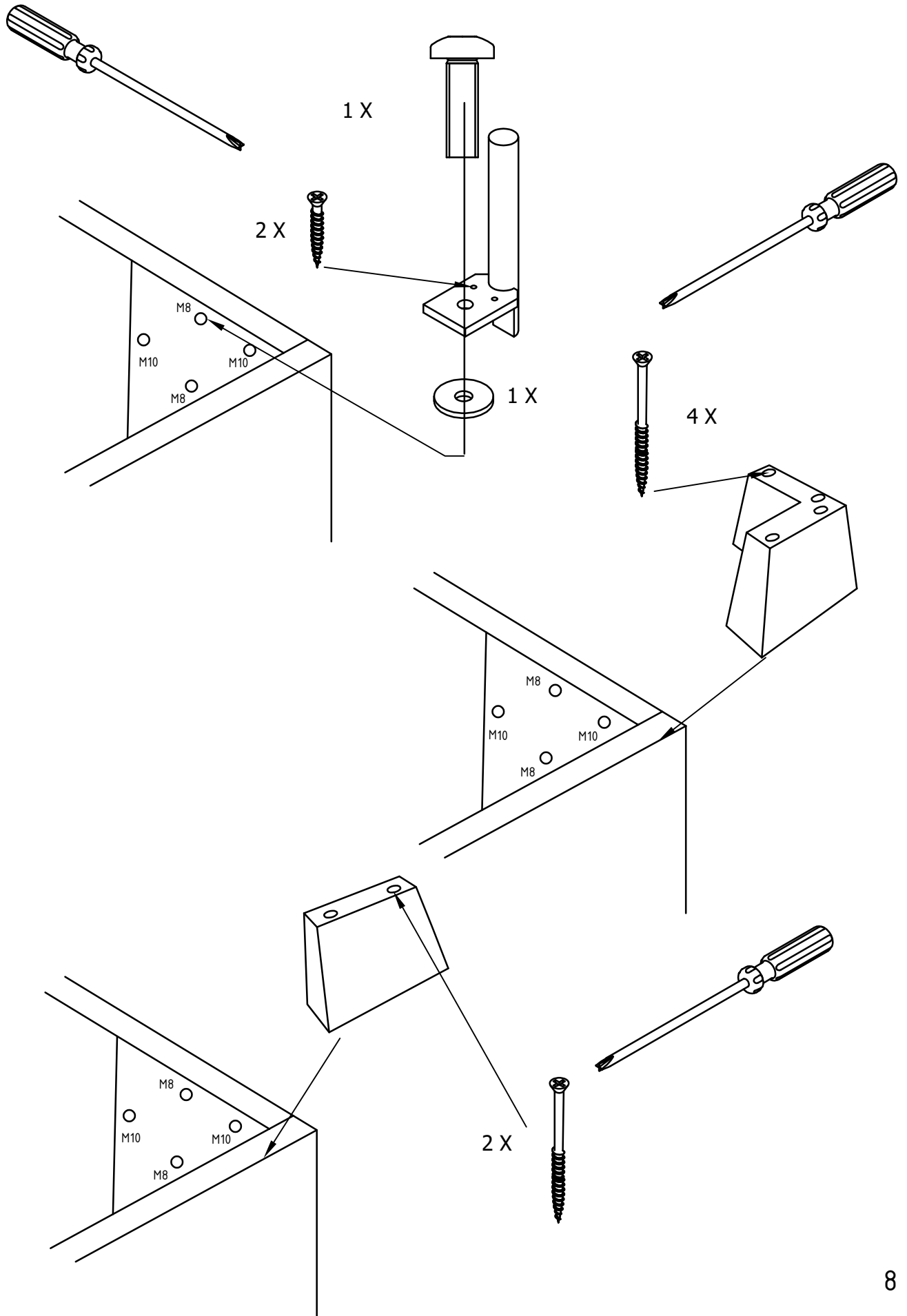
Headboard side

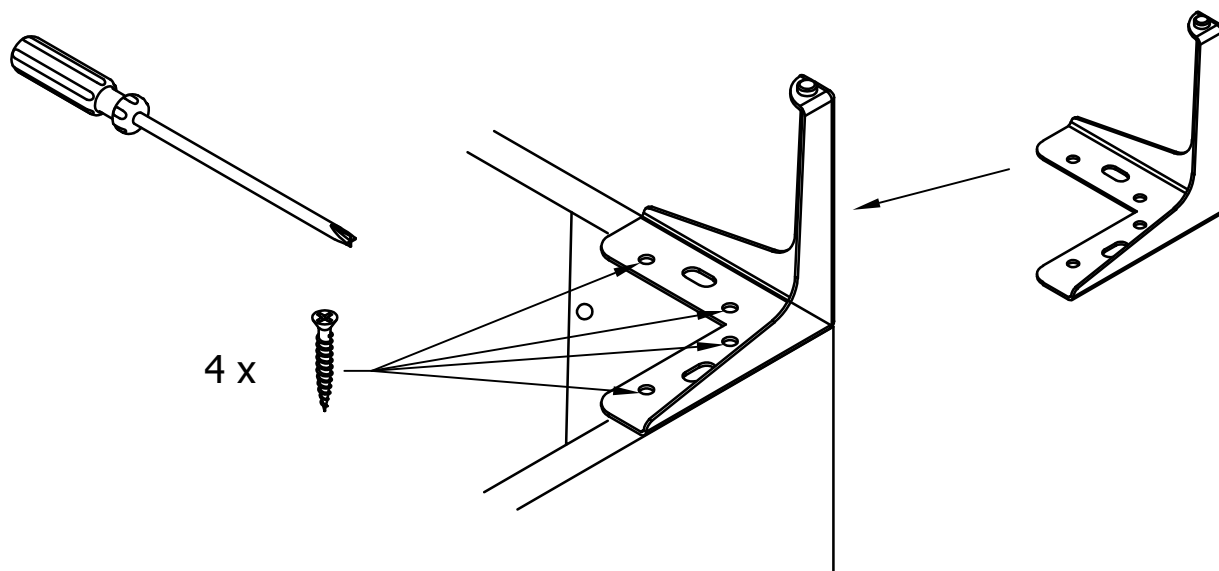
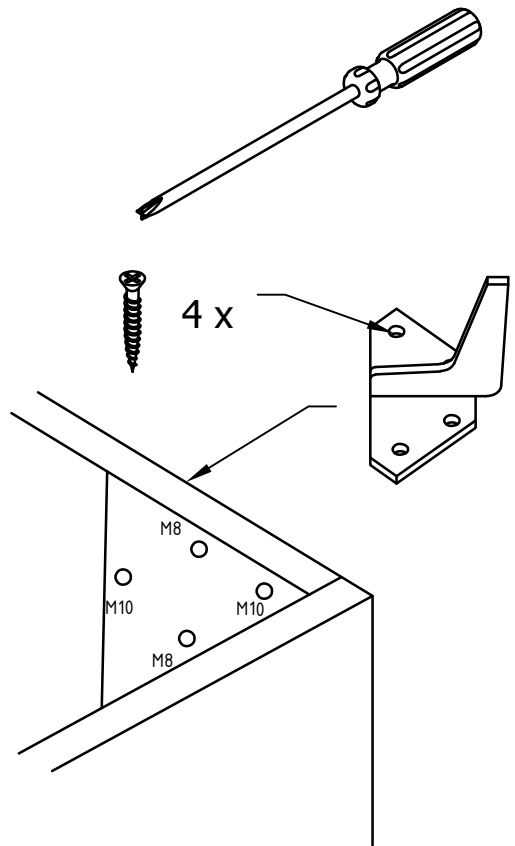
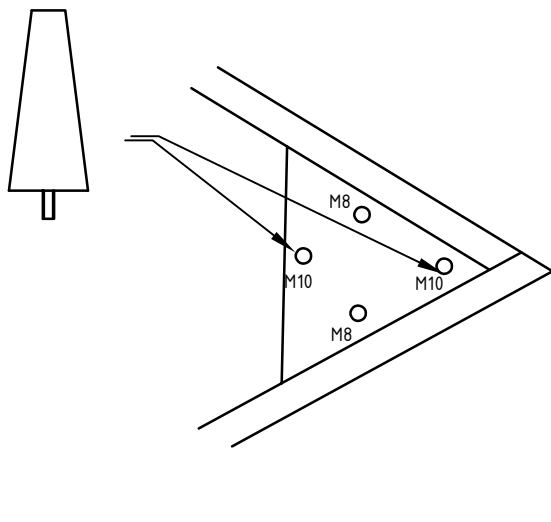
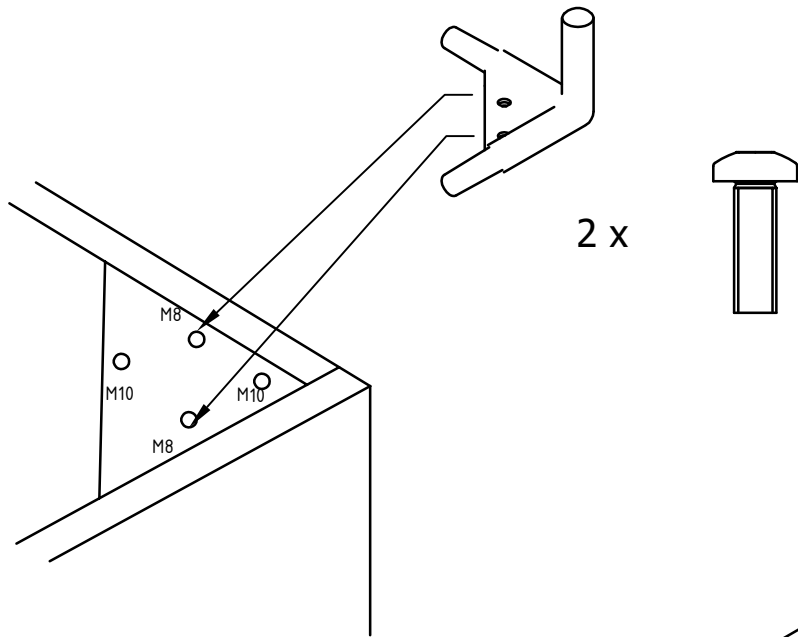


4 x

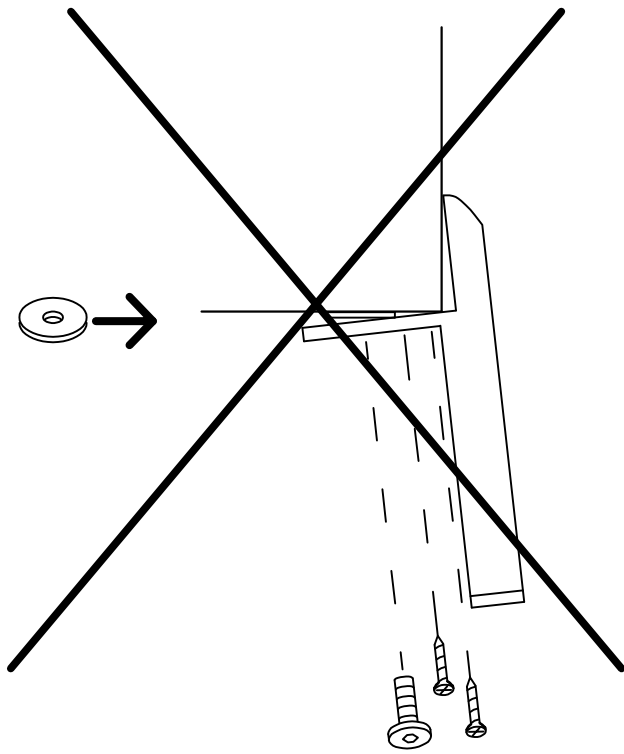


Example of legs installation

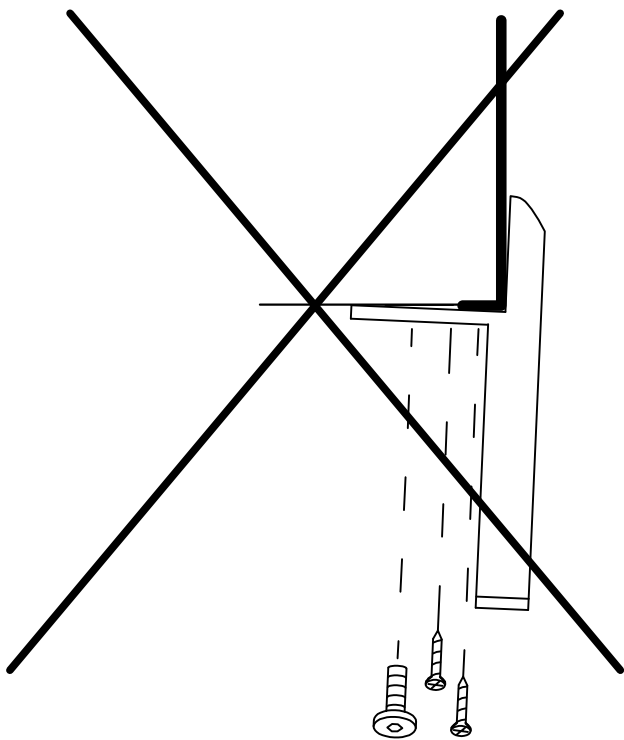
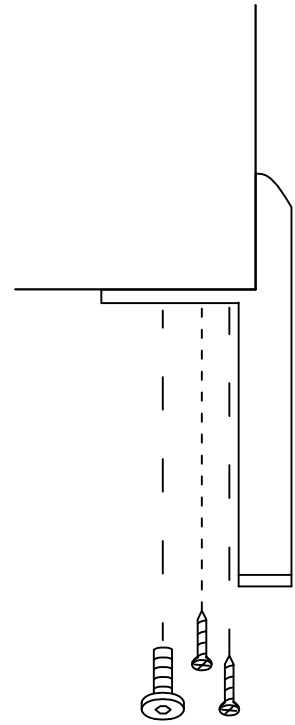




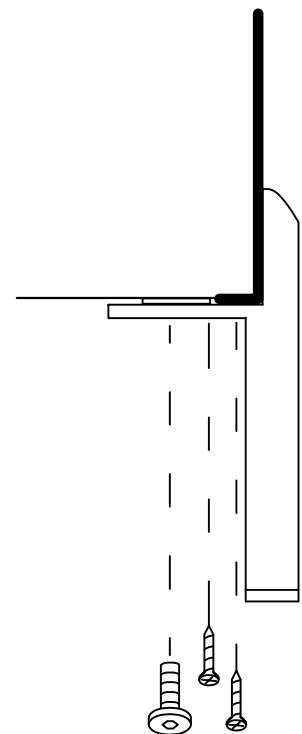
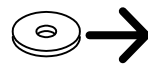
Legs position correction



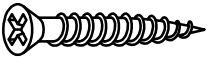
OK



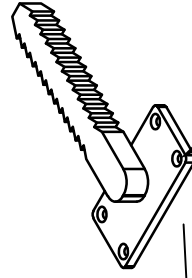
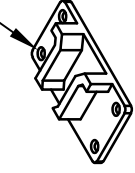
OK



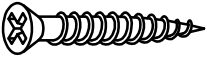
Float panel assembly



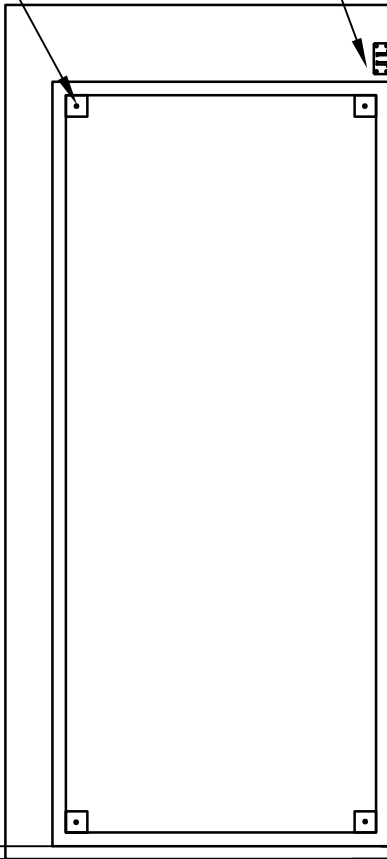
4 x



4 x



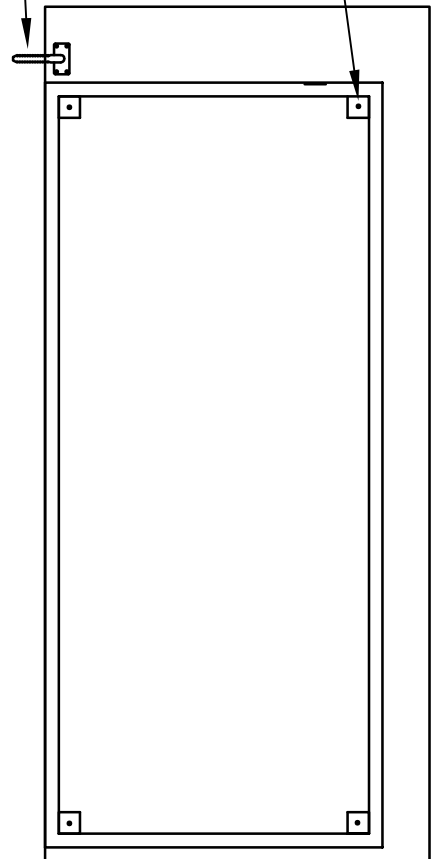
4 x



25



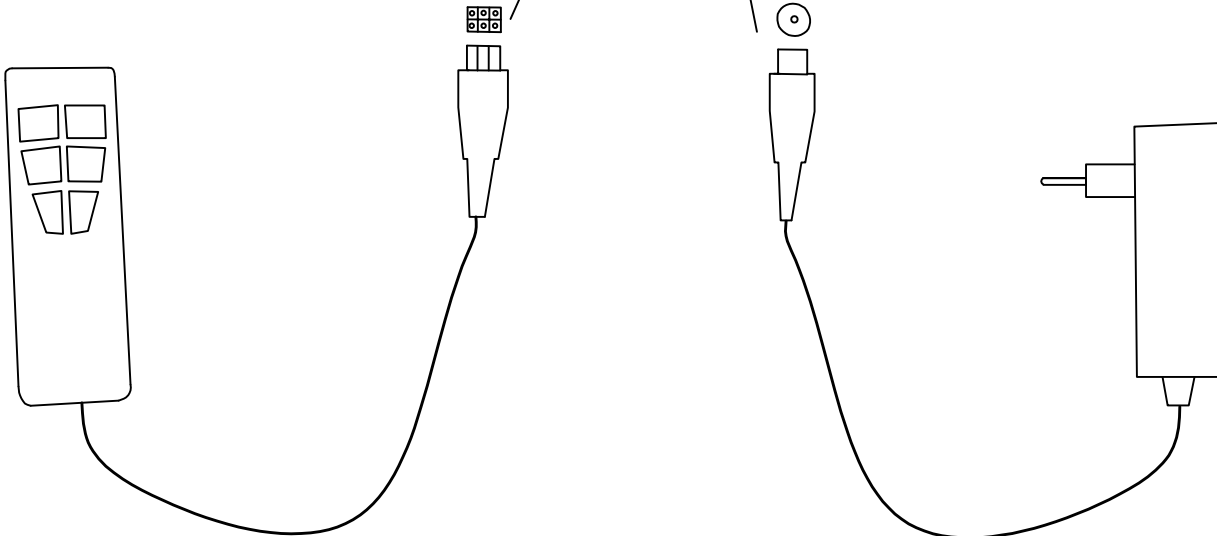
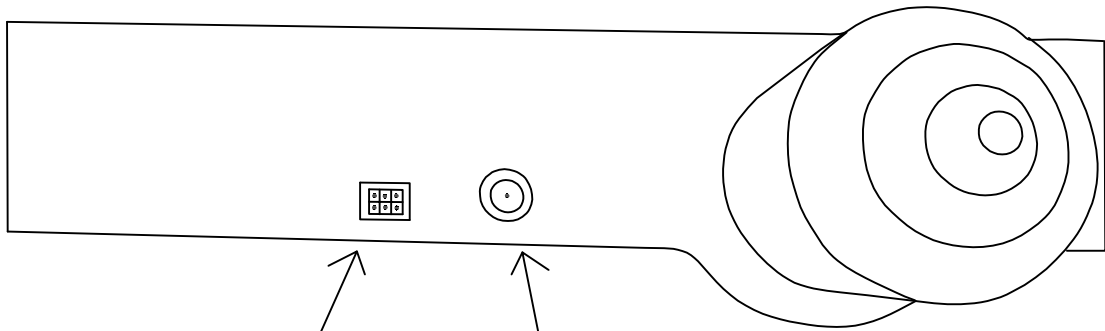
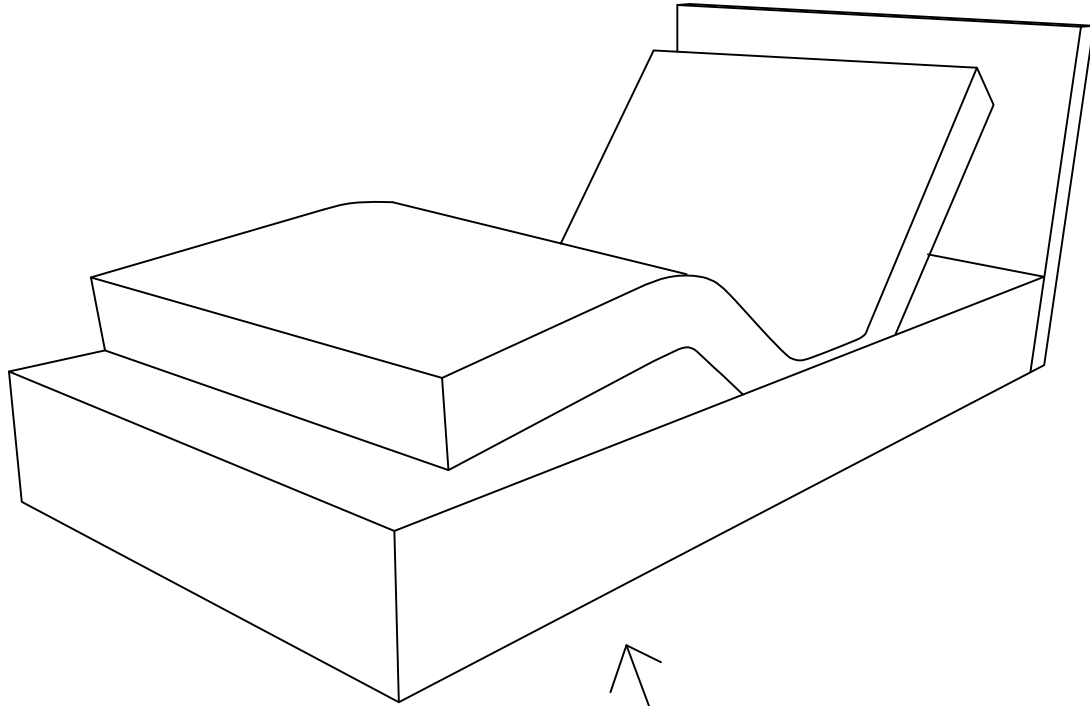
4 x



Headboard side

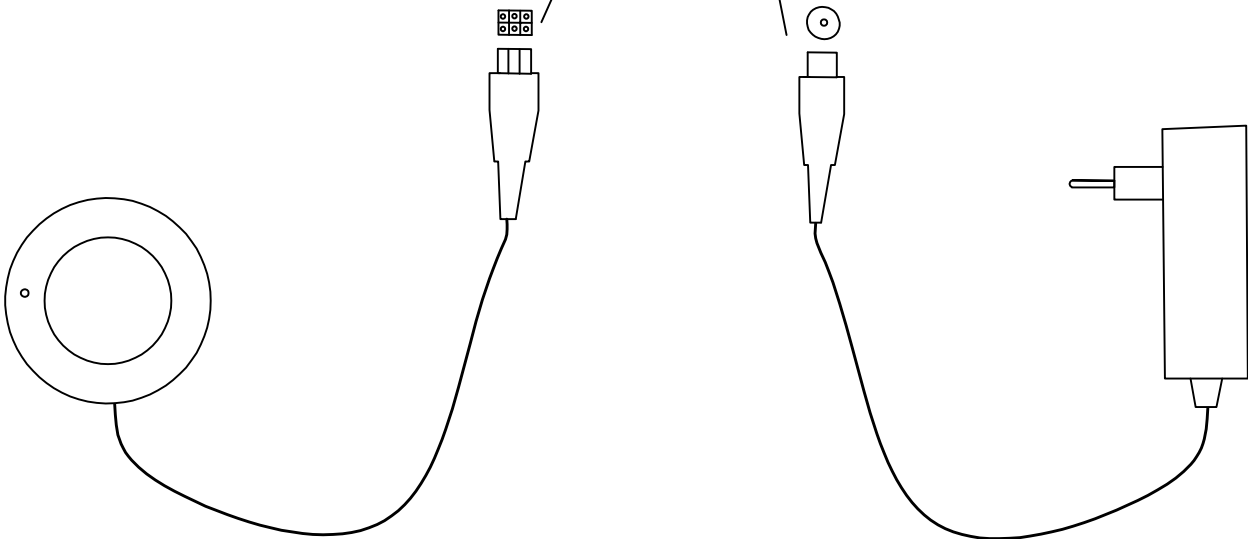
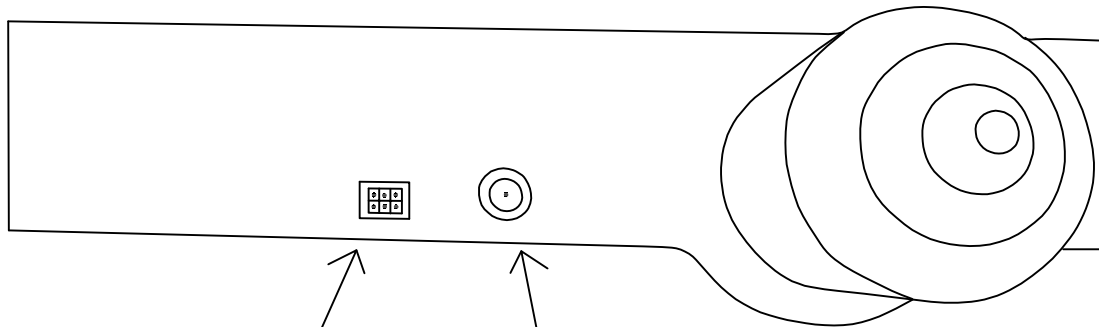
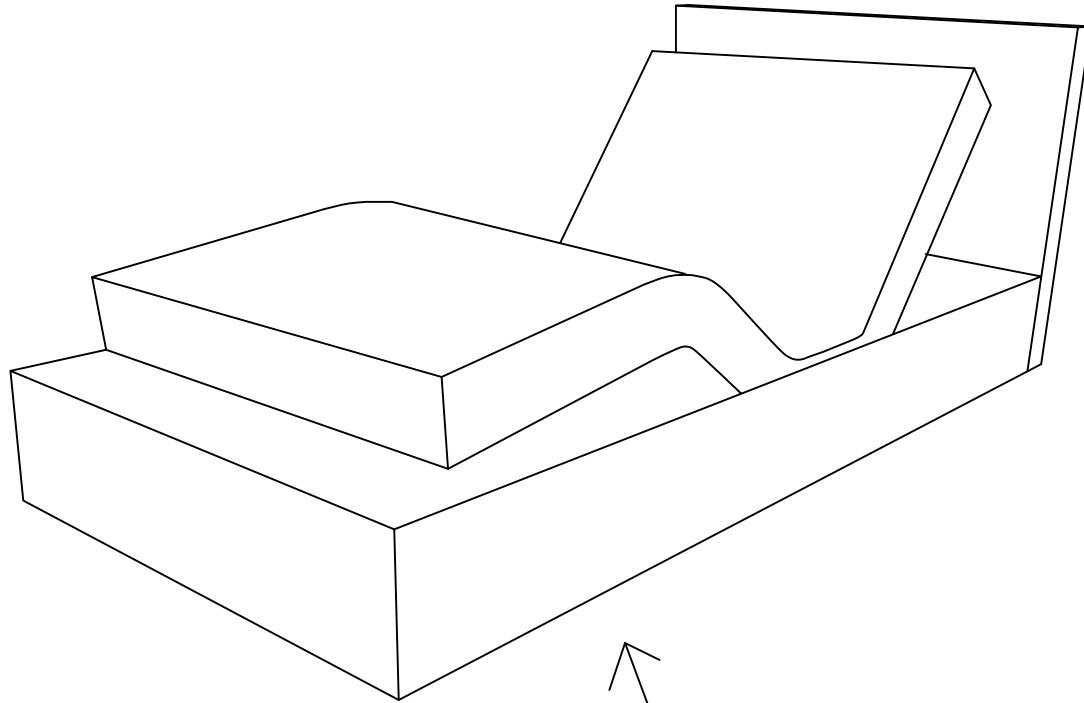
Motorbox wired

Power supply and wired remote control connection



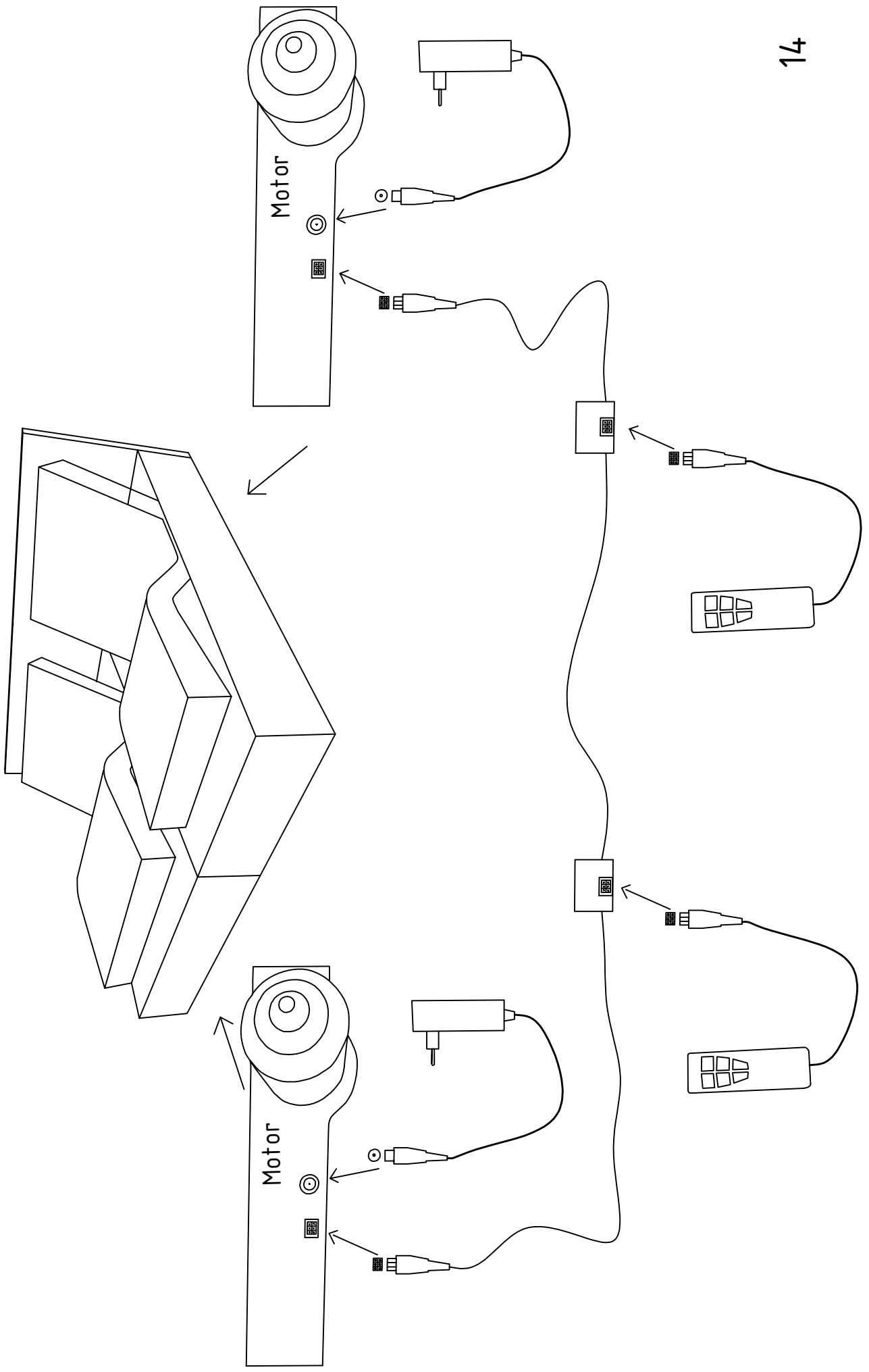
Motorbox wireless

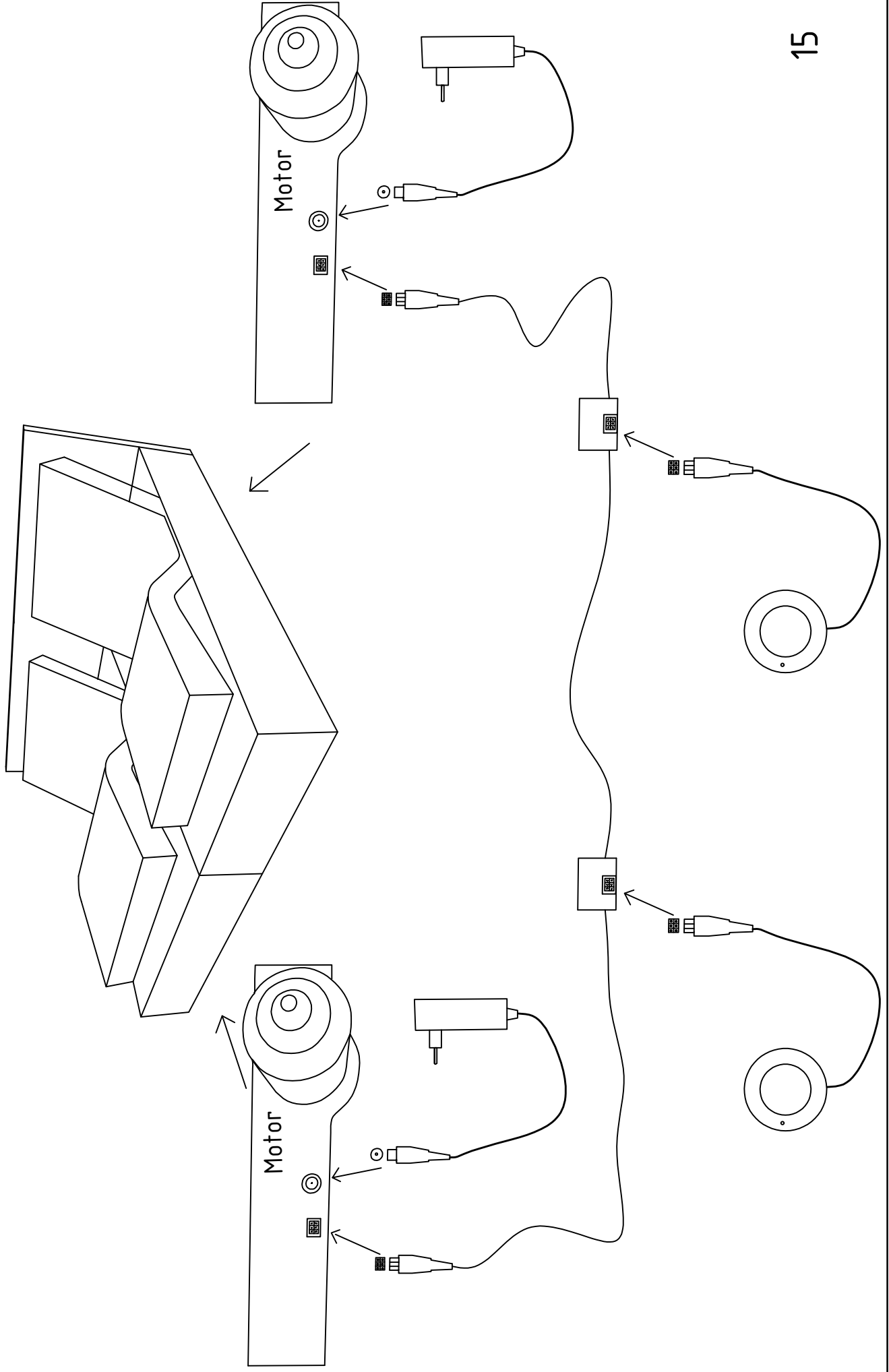
Power supply and wireless remote control connection



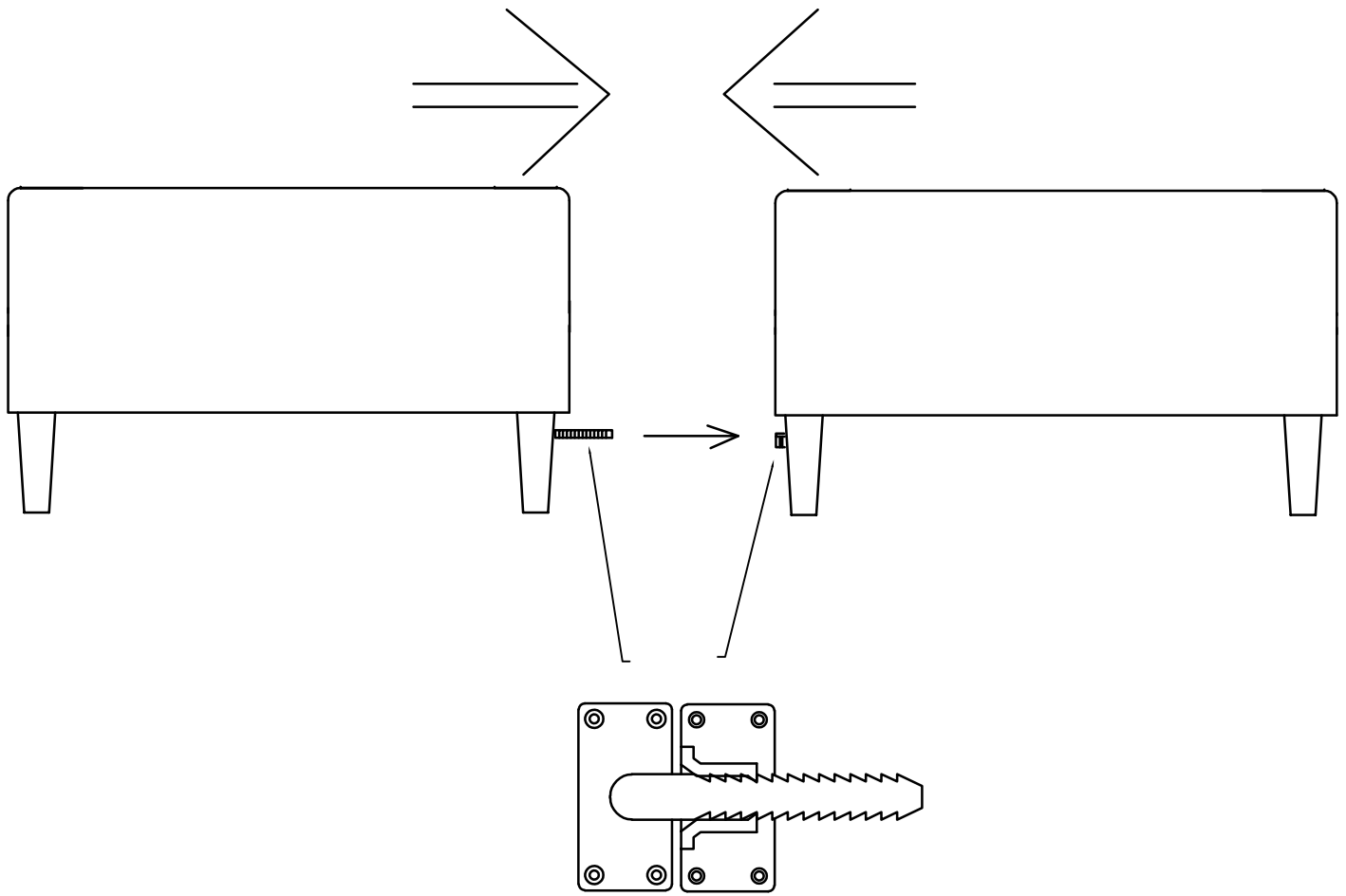
Motorbox wired

Synchro cabel option

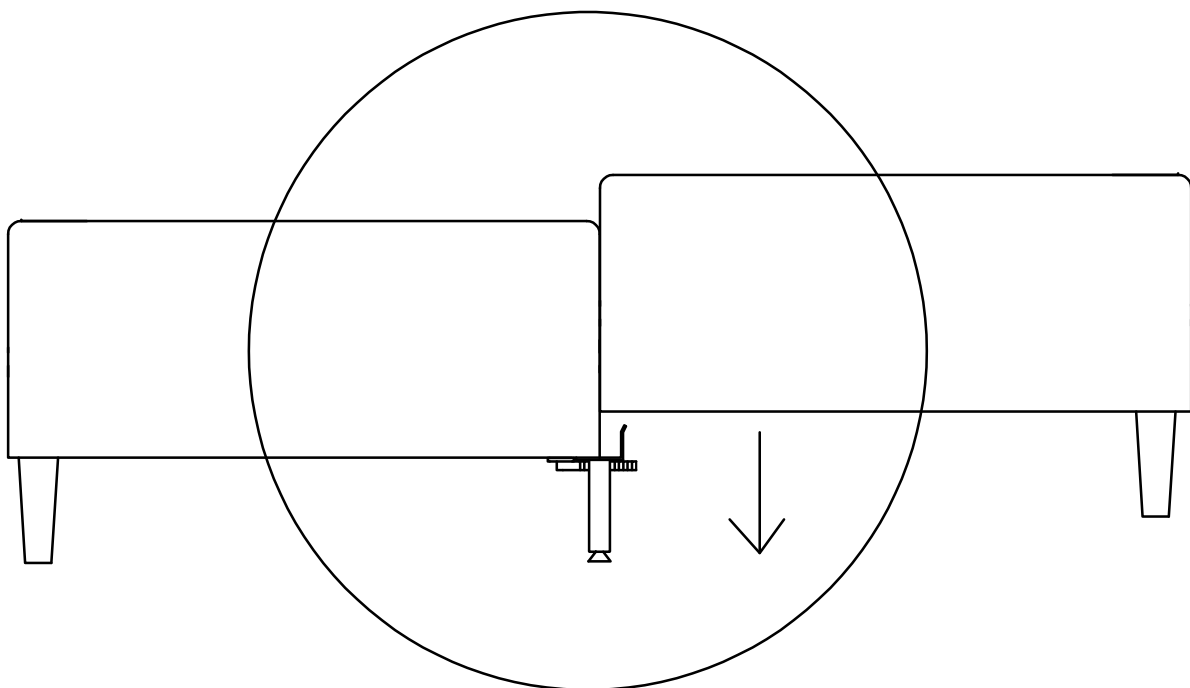




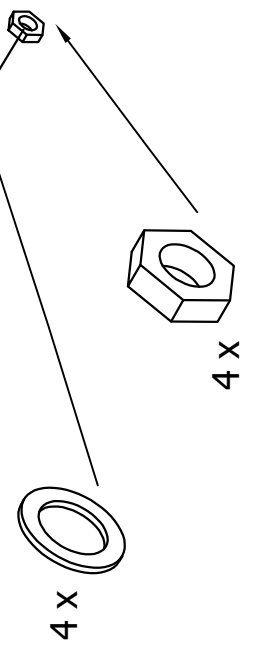
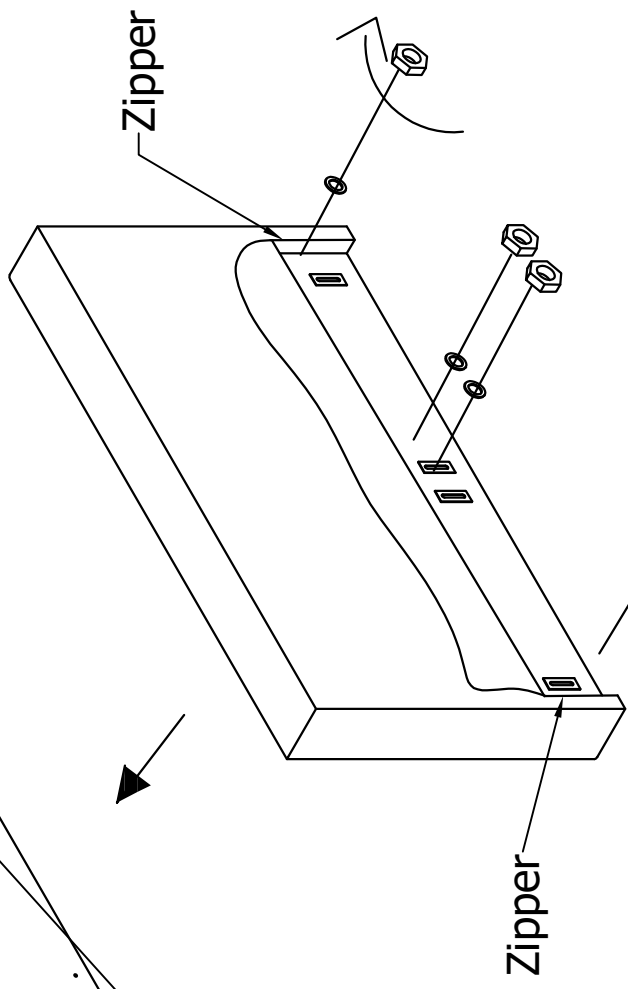
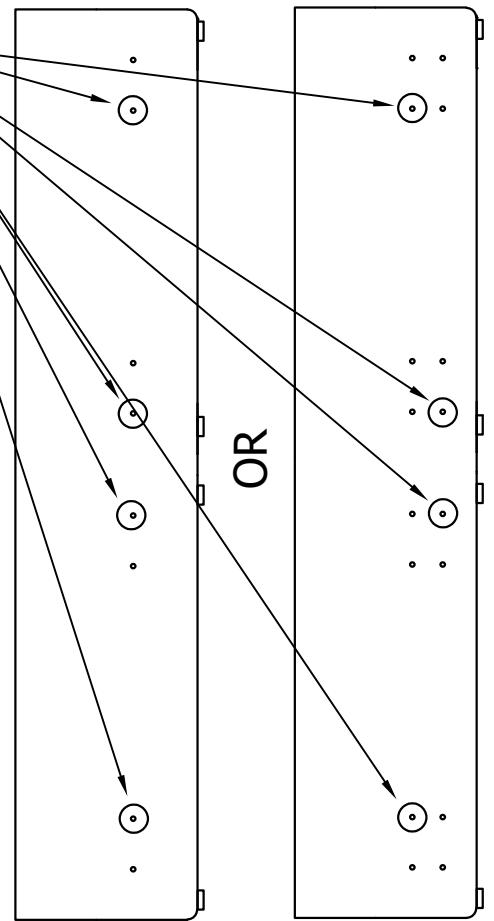
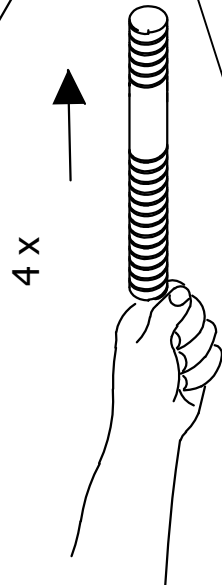
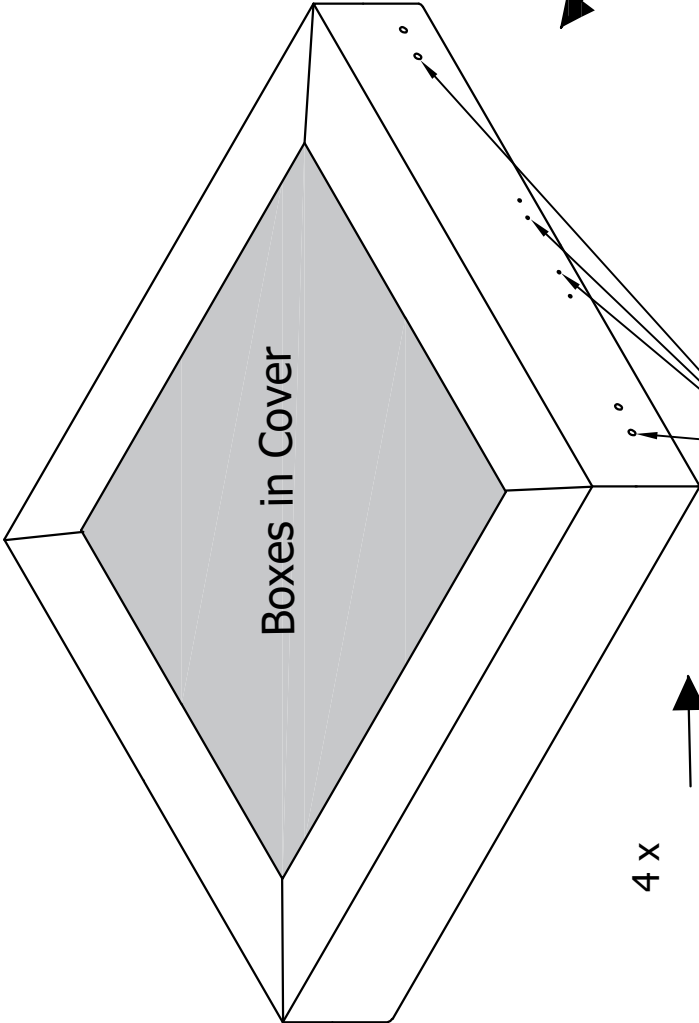
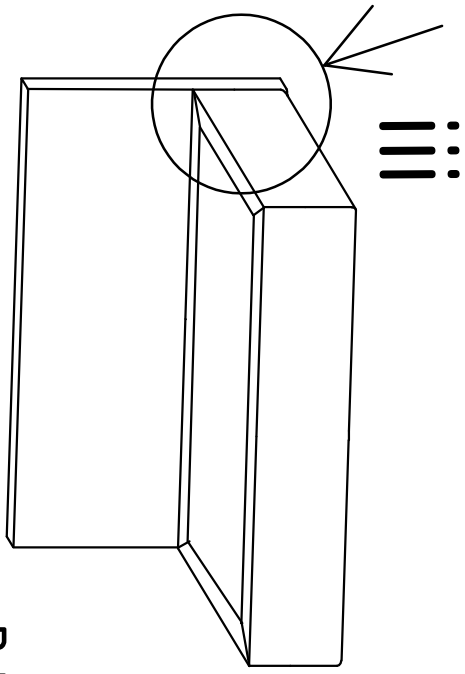
Connecting of box with 8 legs



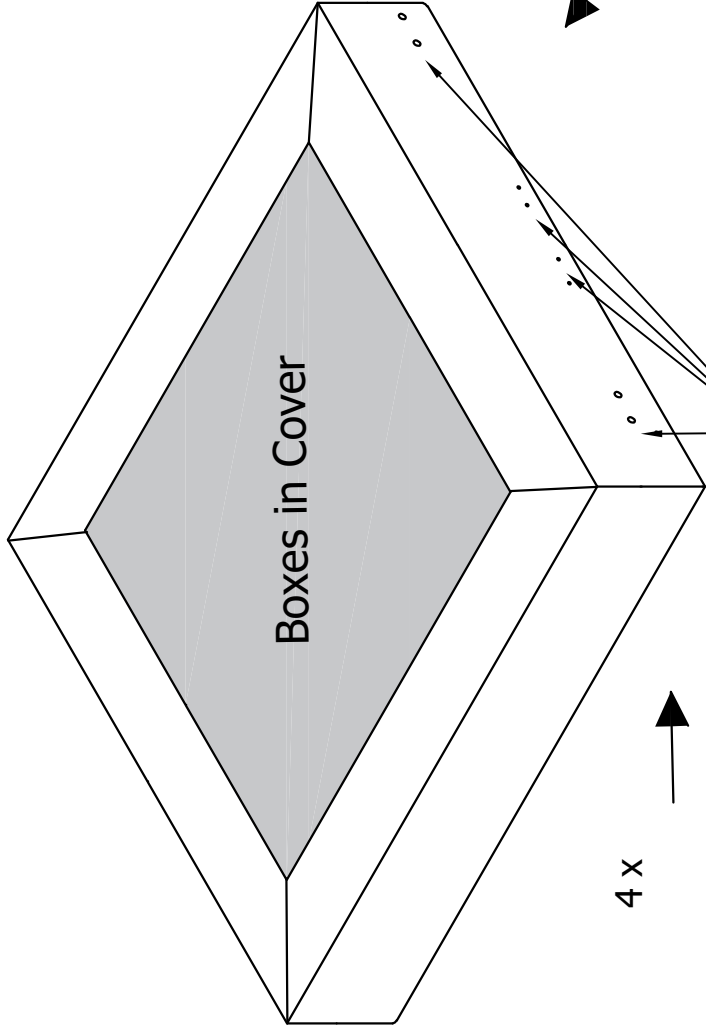
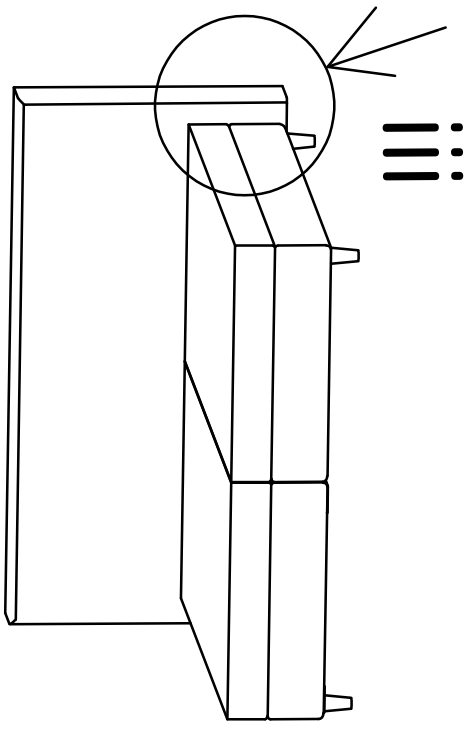
Connecting of box with 4 legs + 2 support legs



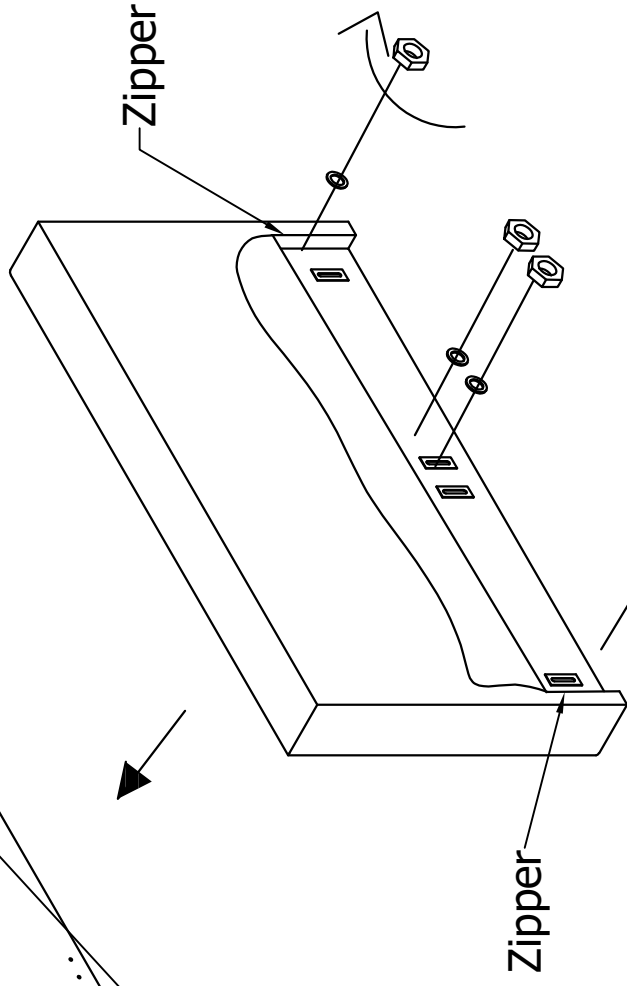
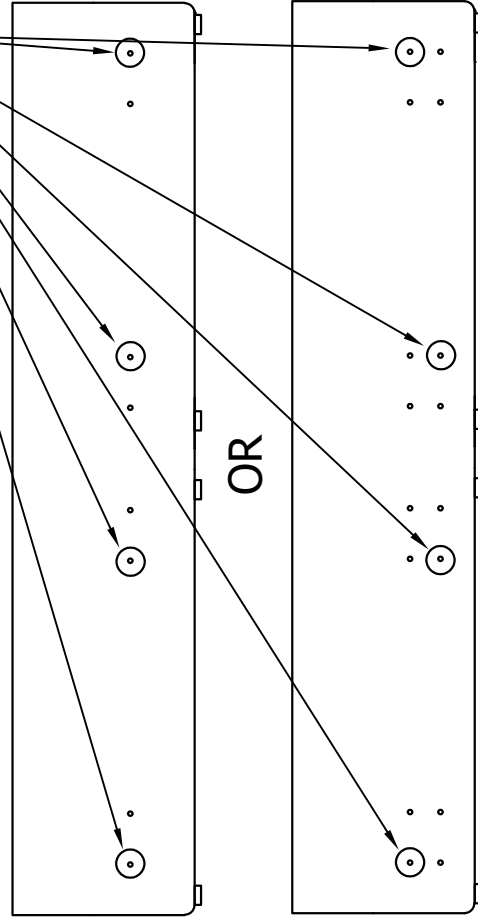
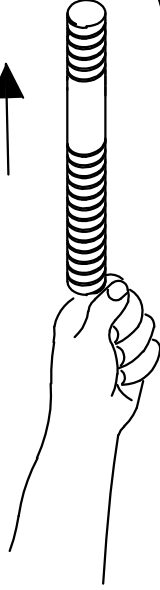
Standard width of headboard



Wider width of headboard



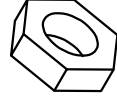
4 x

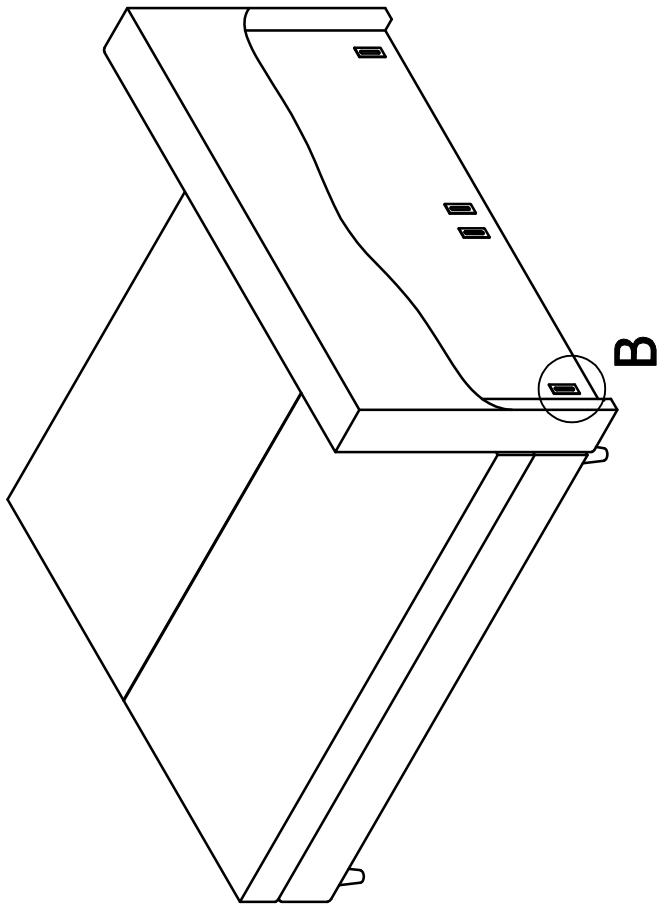


4 x

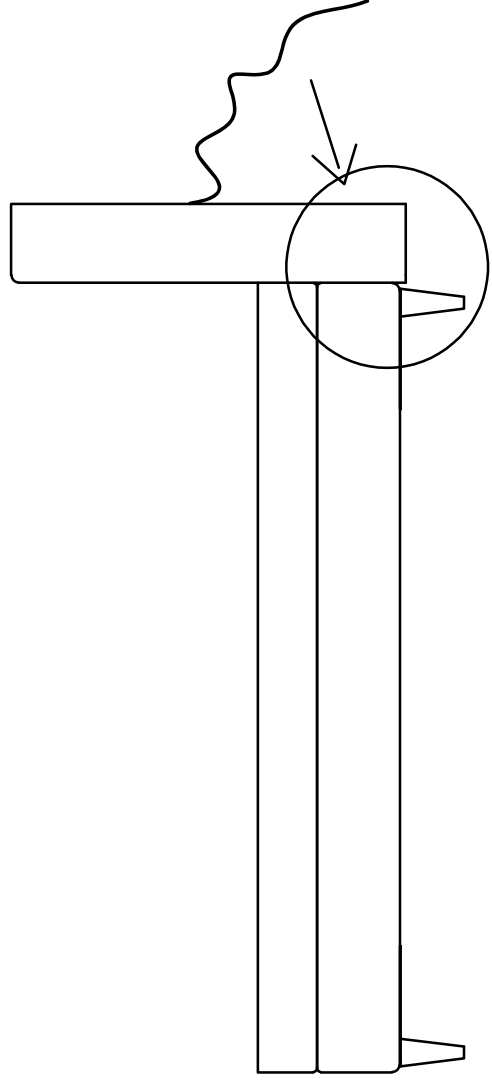
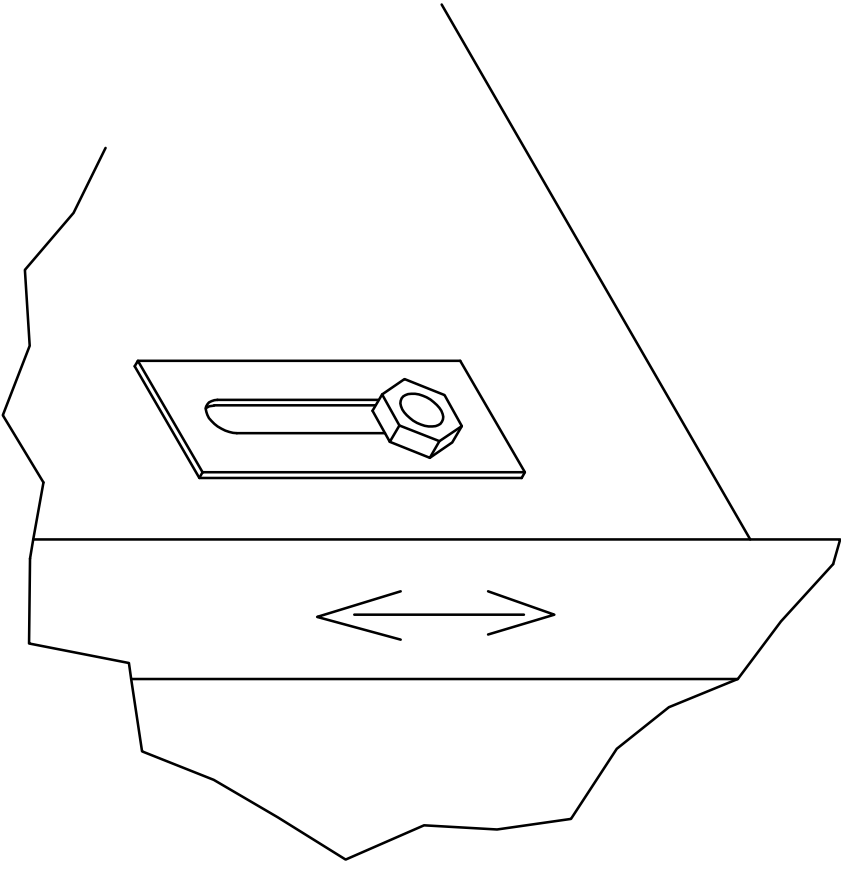


4 x





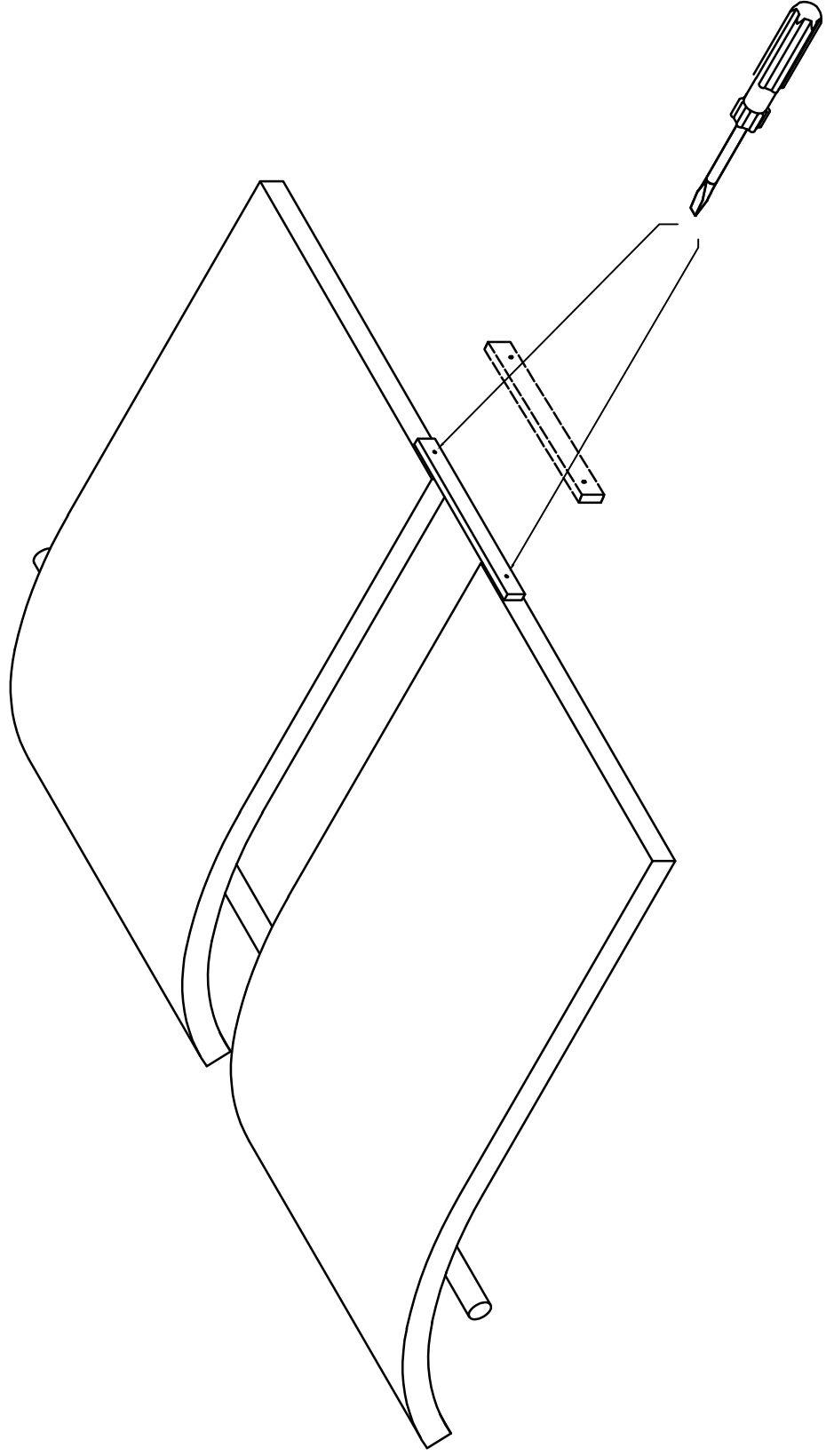
Possible regulation of height headbord depend on headboard



Position "zero"

H040

REMOVING THE PROTECTION BAR



External usb socket connection

