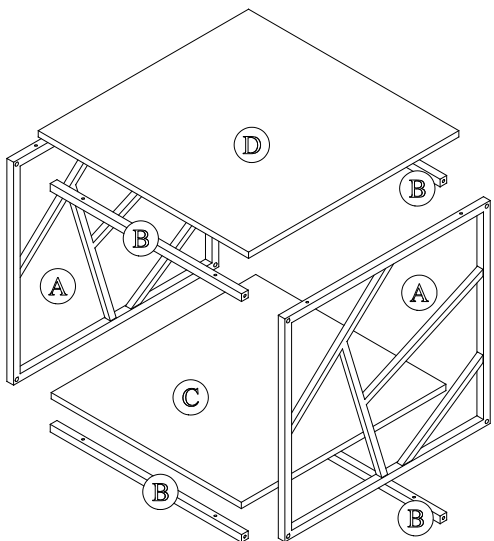


HARDWARE LIST

I	II	III	IV
JCBC M6x50mm	Allen Key M4	M8x32mm Rattan Screw	Adjust Screw
8 Pcs	1 Pc	12 Pcs	4 Pcs

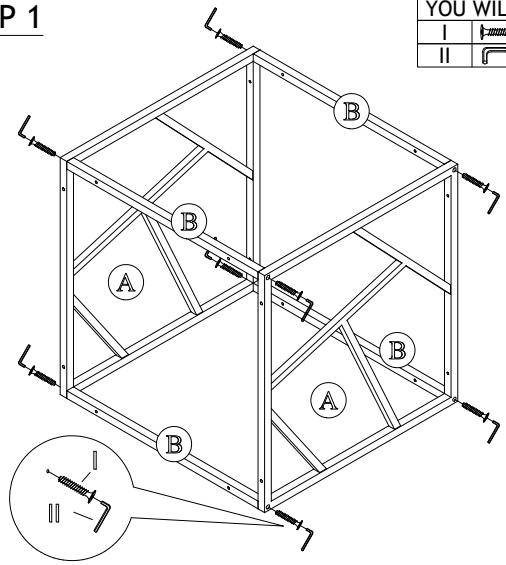
PART LIST

CODE	QTY
A	2
B	4
C	1
D	1



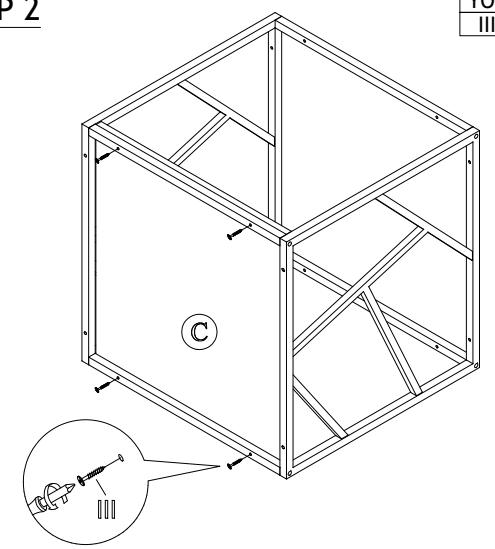
STEP 1

YOU WILL NEED :-		
I		8 PCS
II		1 PC



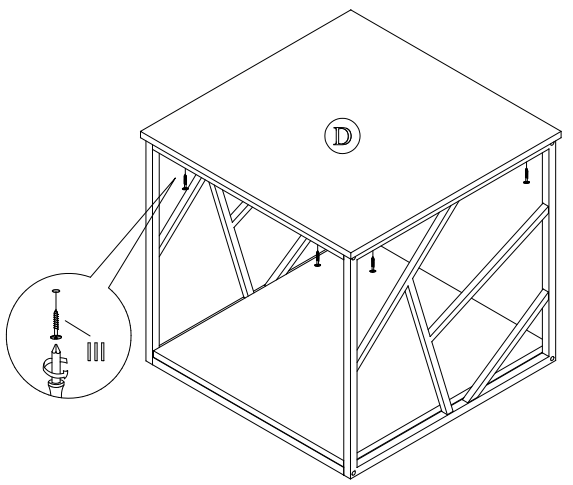
STEP 2

YOU WILL NEED :-		
III		4 PCS



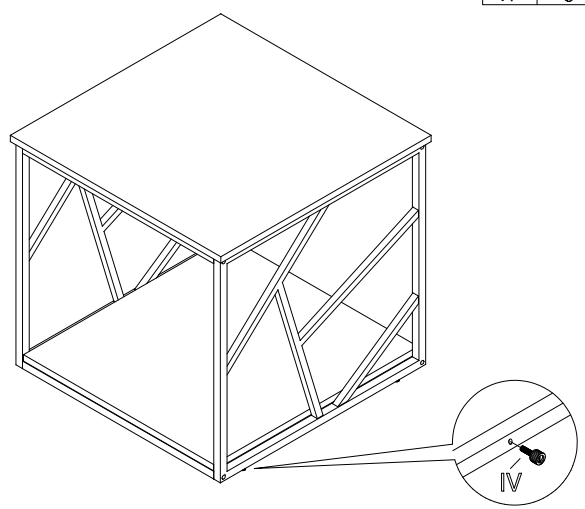
STEP 3

YOU WILL NEED :-		
III		8 PCS

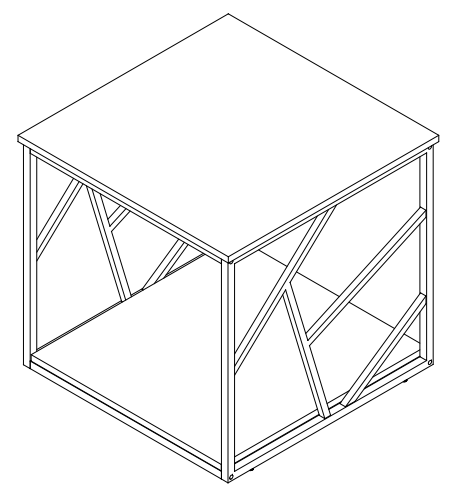


STEP 4

YOU WILL NEED :-		
IV		4 PCS



COMPLETE



ASSEMBLY INSTRUCTIONS

DO NOT FULLY TIGHTEN ANY BOLTS BEFORE ALL PARTS ARE LOOSELY ASSEMBLED. THE PRODUCT/FITTINGS MAY BE DAMAGED IF OVERTIGHTENED. BEWARE OF CROSS THREADING SCREWS AND BOLTS DURINGS ASSEMBLY.
SMALL COMPONENT PARTS COULD CHOKE A CHILD IF SWALLOWED. WE STRONGLY RECOMMEND THAT YOU KEEP CHILDREN AWAY FROM THE WORK AREA.

MTL41