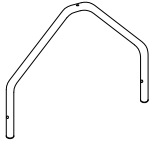
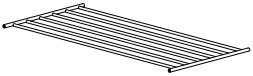

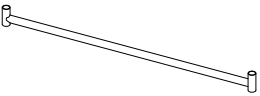

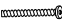



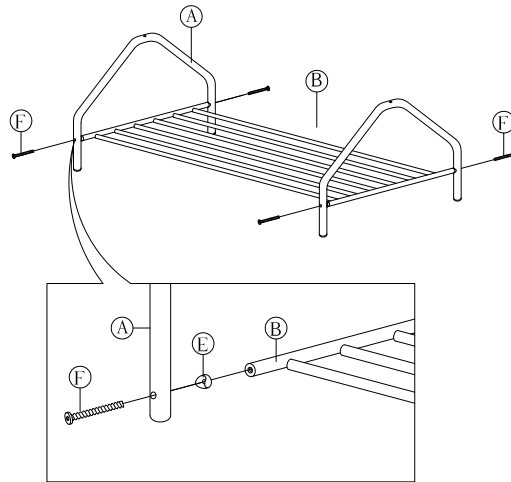
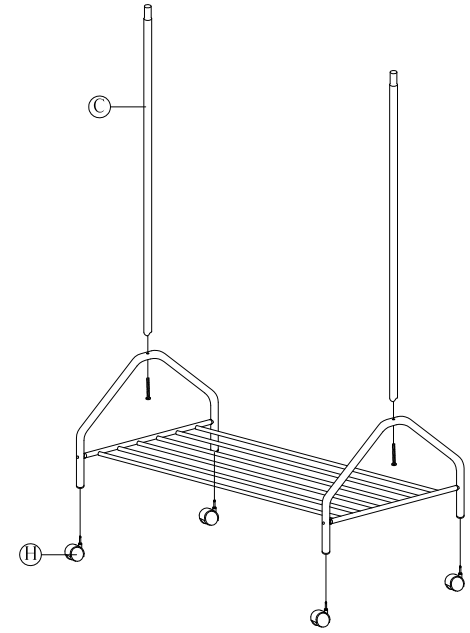


NO.	DESCRIPTION	Q'TY
A		2
B		1
C		2
D		1
E		4
F		6
G		2
H		4
I		1

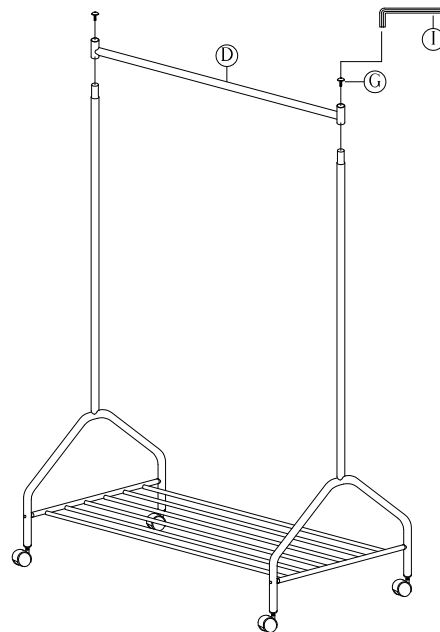
1



2



3



4

